

**Series 4, built-in fridge-freezer with freezer at bottom, 177.2 x 54.1 cm, sliding hinge
KIV86VS30G**



The bottom freezer with electronic temperature control and MultiBox: set the temperature easily and precisely.

- **LED lighting** - with soft start, lasts for the lifetime of the appliance.
- **VarioZone**: more flexibility due to variable-use glass shelves and drawers in the freezer compartment.
- **Big Box drawer**: for stacking storage containers or for large frozen food items.
- **Low Frost**: defrost less often thanks to reduced frost – saving time, effort and energy.
- **SuperFreezing**: Protects frozen food from defrosting.

Technical Data

Built-in / Free-standing:	Built-in
Door panel options:	Not possible
Height:	1772 mm
Width of the appliance:	541 mm
Depth:	545 mm
Min. required niche size for installation (HxWxD):	1775.0 x 560 x 550 mm
Net weight:	61.9 kg
Connection rating:	90 W
Fuse protection:	13 A
Door hinge:	Right reversible
Voltage:	220-240 V
Frequency:	50 Hz
Length electrical supply cord:	230.0 cm
Number of compressors:	1
Number of independent cooling systems:	1
Interior ventilator:	No
Reversible Door Hinge:	Yes
Number of Adjustable Shelves in fridge compartment:	3
Shelves for Bottles:	No
Frost free system:	No
Installation typology:	Integrated

Optional accessories

KSZ10020 Bottle Rack



Series 4, built-in fridge-freezer with freezer at bottom, 177.2 x 54.1 cm, sliding hinge KIV86VS30G

The bottom freezer with electronic temperature control and MultiBox: set the temperature easily and precisely.

Performance and Consumption

- Energy Efficiency Class: A++
- Energy Efficiency Class: A++ kWh/yr: 0.631 kWh
- Total net capacity: 267 litres
- Net fridge capacity: 191 litres
- Net freezer capacity: 76 litres
- Noise level dB(A) re 1 pW: 38
- Climate class SN-T (suitable for ambient temperatures between 10 to 43°C)

Design features

- Bright interior LED fridge light
- Right hinged door, reversible door
- 1 compressor
- LED electronic control
- Removable magnetic door seals - easy to clean
- Easy clean interior

Food freshness system

- FreshSense - Constant temperature control by intelligent sensor technology
- 2 x cold accumulator, 3 x egg tray, 1 x ice cube tray
- 1 MultiBox - Transparent drawer with a rippled bottom, ideal for storing fruits and vegetables.

Key features - Fridge section

- 4 door bins
- 4 removable safety glass shelves of which 3 are easy pull out
- Door shelves in fridge door: 1 large and 3 small
- 4 safety glass shelves in fridge compartment of which 3 are height adjustable

Key features - Freezer section

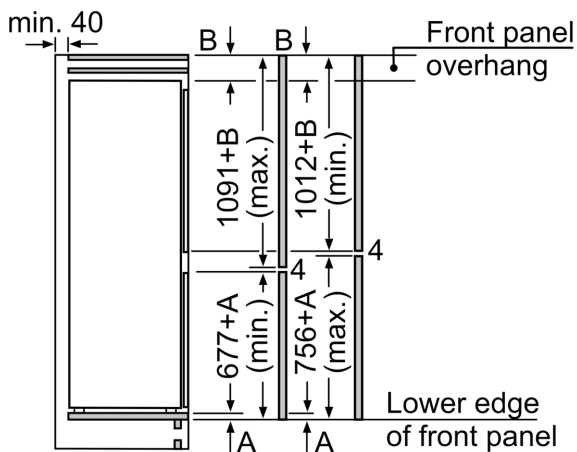
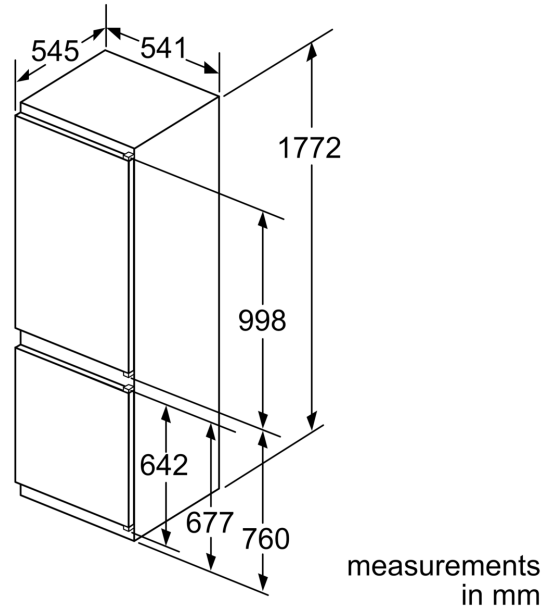
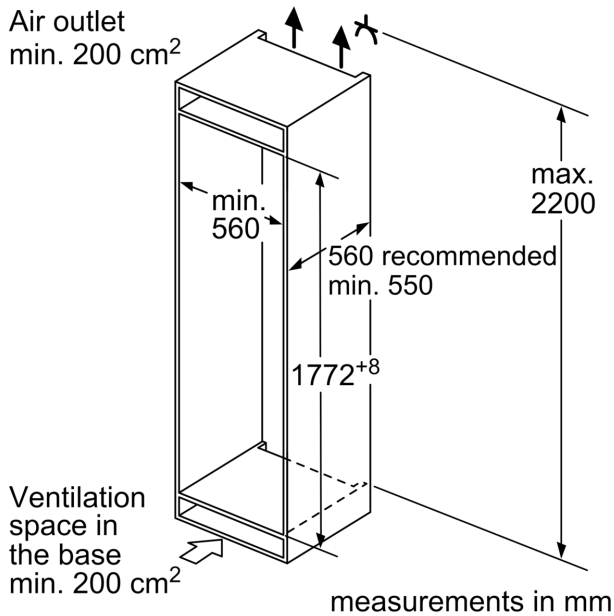
- 3 transparent freezer drawers, including 1 BigBox
- Freezing capacity in 24 hours: 3.5 kg
- 4 star freezer rating
- Manual defrost freezer
- SuperFreezing function with automatic deactivation
- Maximum freezer storage time in power failure: 24 hours
- Calendar frozen food

Functions

Dimension and installation

- Easy Installation
- Height adjustable front feet
- Niche Dimensions: 177.5 cm H x 56 cm W x 55 cm D
- Dimensions: 177.2 cm H x 54.1 cm W x 54.5 cm D

**Series 4, built-in fridge-freezer with
freezer at bottom, 177.2 x 54.1 cm,
sliding hinge
KIV86VS30G**



The specified unit door dimensions
are valid for a door gap of 4 mm.
measurements in mm