

**Series 4, built-in fridge, 177.5 x 56 cm, sliding hinge
KIR81VSF0G**



The refrigerator with temperature control and MultiBox: set the temperature precisely and easily.

- **LED lighting** - with soft start, lasts for the lifetime of the appliance.
- **Super Cooling**: cools new food placed inside faster, thus protecting already cooled food.

Technical Data

Energy Efficiency Class:	F
Average annual energy consumption in kilowatt hour per year (kWh/a):	144 kWh/annum
Sum of volume of frozen compartments:	0 l
Sum of volume of chill compartments:	319 l
Airborne acoustical noise emissions :	37 dB(A) re 1 pW
Airborne acoustical noise emission class:	C
Built-in / Free-standing:	Built-in
Door panel options:	Not possible
Height:	1772 mm
Width of the appliance:	541 mm
Depth:	545 mm
Min. required niche size for installation (HxWxD): 1775.0 x 560 x 550 mm	
Net weight:	59.2 kg
Connection rating:	90 W
Fuse protection:	13 A
Door hinge:	Right reversible
Voltage:	220-240 V
Frequency:	50 Hz
Length electrical supply cord:	230.0 cm
Number of compressors:	1
Number of independent cooling systems:	1
Interior ventilator:	No
Reversible Door Hinge:	Yes
Number of Adjustable Shelves in fridge compartment:	6
Shelves for Bottles:	No
EAN code:	4242005209002
Brand:	Bosch
Product name / Commercial code:	KIR81VSF0G
Product category:	Refrigerator
Frost free system:	No
Installation typology:	Integrated
Included accessories:	3 x egg tray



Included accessories

3 x egg tray

Optional accessories

KS10Z020 Bottle Rack
KSZGGM00 Butter box



Series 4, built-in fridge, 177.5 x 56 cm, sliding hinge KIR81VSF0G

The refrigerator with temperature control and MultiBox: set the temperature precisely and easily.

Functions

- Bright interior LED fridge light

Design features

- LED electronic control
- FreshSense - Constant temperature control by intelligent sensor technology
- Automatic defrost fridge
- SuperCool function

Design features

- 7 safety glass shelves of which 6 are height adjustable
- Door shelves in fridge door: 2 large and 4 small

Freshness System

- 2 MultiBox drawers

Dimension and installation

- Dimensions: 177.2 cm H x 54.1 cm W x 54.5 cm D
- Niche Dimensions: 177.5 cm H x 56 cm W x 55 cm D

Key features - Fridge section

- Right hinged door, reversible door
- Connection value 90 W
- 220 - 240 V

Key features - Freezer section

- KIR81VSF0G

Country Specific Options

- Based on the results of the standard 24-hour test. Actual consumption depends on usage/position of the appliance.

Design features

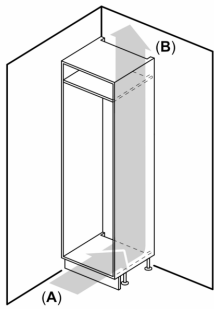
Dimension and installation

Additional features

Performance and Consumption

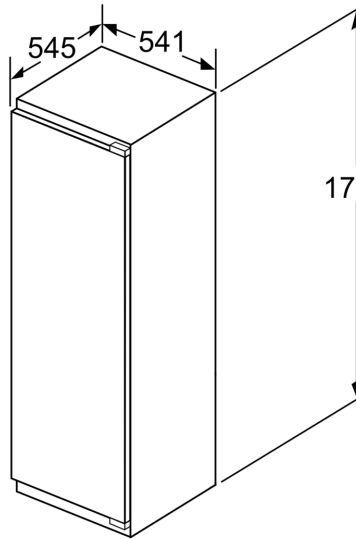
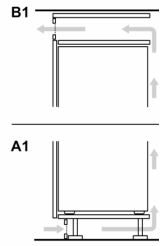
- EU19_EEK_D: F
- Total Volume : 319 l
- Net Fridge Volume : 319 l
- Annual Energy Consumption: 144 kWh/a
- Climate Class: SN-ST
- Noise Level : 37 dB

**Series 4, built-in fridge, 177.5 x 56 cm, sliding hinge
KIR81VSF0G**

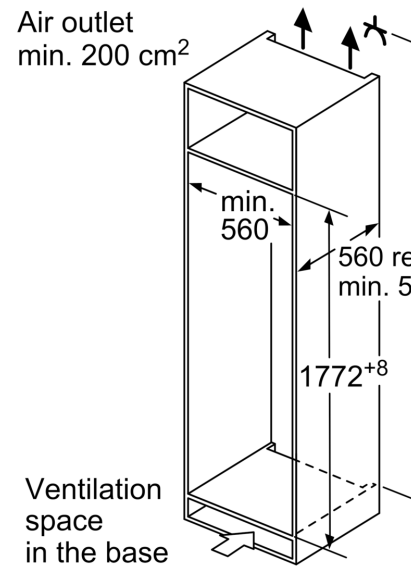


A: Air inlet $\geq 200 \text{ cm}^2$; \

B: Air outlet $\geq 200 \text{ cm}^2$;



meas



Ventilation space in the base min. 200 cm^2

meas