

Series 4, built-in fridge, 177.5 x 56 cm, flat hinge KIR81VFE0G



- **High-stability door trays:** extra high and flexible for more space and stability.
- **LED lighting - with soft start, lasts for the lifetime of the appliance.**
- **Super Cooling:** cools new food placed inside faster, thus protecting already cooled food.
- **Fresh Sense:** always reliable temperature control.



Included accessories

3 x egg tray, 1 x Heavy-duty hinge support

Optional accessories

KSZGGM00 Butter box

Technical Data

Energy Efficiency Class: E
 Average annual energy consumption in kilowatt hour per year (kWh/a): 114 kWh/annum
 Sum of volume of frozen compartments: 0 l
 Sum of volume of chill compartments: 310 l
 Airborne acoustical noise emissions :35 dB(A) re 1 pW
 Airborne acoustical noise emission class:B
 Built-in / Free-standing: Built-in
 Door panel options: Not possible
 Height: 1772 mm
 Width of the appliance: 541 mm
 Depth: 548 mm
 Min. required niche size for installation (HxWxD): 1775.0 x 560 x 550 mm
 Net weight: 52.6 kg
 Fuse protection: 10 A
 Door hinge: Right reversible
 Voltage: 220-240 V
 Frequency: 50 Hz
 Length electrical supply cord: 230.0 cm
 Number of compressors: 1
 Number of independent cooling systems: 1
 Interior ventilator: Yes
 Reversible Door Hinge: Yes
 Number of Adjustable Shelves in fridge compartment: 5
 Shelves for Bottles: Yes
 EAN code: 4242005365272
 Brand: Bosch
 Product name / Commercial code: KIR81VFE0G
 Product category: Refrigerator
 Frost free system: No
 Installation typology: Integrated
 Included accessories: 3 x egg tray, 1 x Heavy-duty hinge support



Series 4, built-in fridge, 177.5 x 56 cm, flat hinge KIR81VFE0G

Performance and Consumption

- EU19_EEK_D: E
- Total Volume : 310 l
- Annual Energy Consumption: 114 kWh/a
- Climate Class: SN-ST
- Noise Level : 35 dB

Functions

- Bright interior LED fridge light

Design features

- LED electronic control
- Optical and acoustic door open alarm
- SuperCool function
- Automatic defrost fridge
- Easy clean interior

Design features

- Net Fridge Volume : 310 l
- 7 safety glass shelves in fridge compartment of which 5 are height adjustable
- 5 door bins
- Bottle rack

Freshness System

- 2 MultiBox drawers

Key features - Fridge section

- Right hinged door, reversible door
- integrated
- Ventilation through plinth
- Length of power cord:230 cm
- 220 - 240 V

Dimension and installation

- Niche Dimensions: 177.5 cm H x 56 cm W x 55 cm D
- Dimensions: 177.2 cm H x 54.1 cm W x 54.8 cm D

Key features - Freezer section

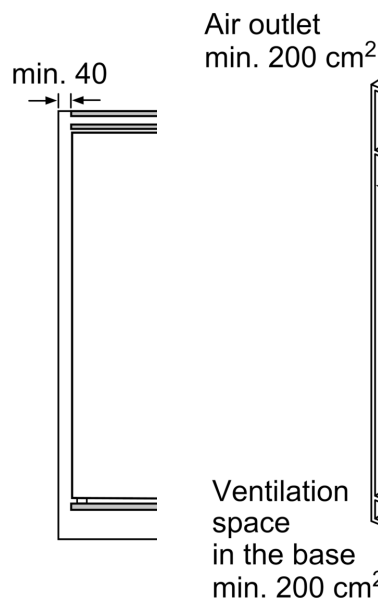
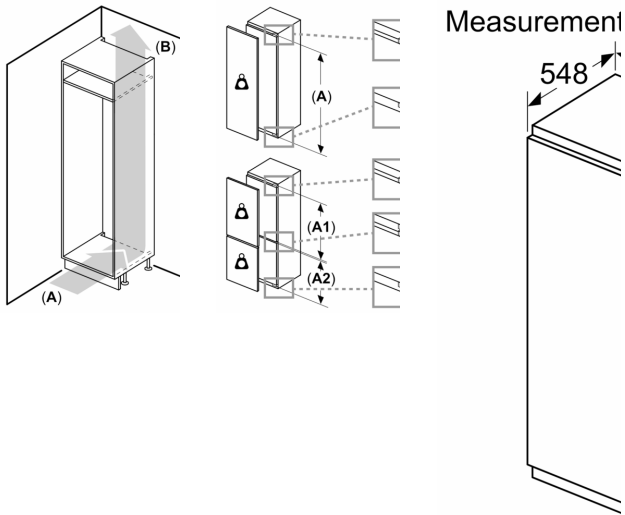
- KIR81VFE0G

Country Specific Options

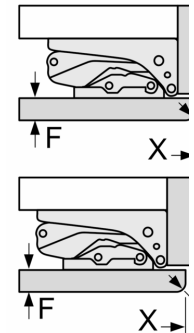
- Based on the results of the standard 24-hour test. Actual consumption depends on usage/position of the appliance.

Additional features

**Series 4, built-in fridge, 177.5 x 56 cm, flat hinge
KIR81VFE0G**



measurement
Recommend



The gap dime
in the table m
to ensure that
collide with ai
and to avoid c