

**Series 2, built-in fridge, 177.5 x 56 cm, sliding hinge
KIR81NSE0G**



Included accessories

3 x egg tray

Optional accessories

KSZB6R00 Bottle Rack
KSZGGM00 Butter box

The spacious built-in fridge with Multi Box XXL drawer for fruit and vegetables and high stability door trays provides optimal food storage.

- **LED lighting** - with soft start, lasts for the lifetime of the appliance.
- **Super Cooling**: cools new food placed inside faster, thus protecting already cooled food.

Technical Data

Energy Efficiency Class: E
 Average annual energy consumption in kilowatt hour per year (kWh/a): 114 kWh/annum
 Sum of volume of frozen compartments: 0 l
 Sum of volume of chill compartments: 310 l
 Airborne acoustical noise emissions :35 dB(A) re 1 pW
 Airborne acoustical noise emission class:B
 Built-in / Free-standing: Built-in
 Door panel options: Not possible
 Height: 1772 mm
 Width of the appliance:541 mm
 Depth:548 mm
 Min. required niche size for installation (HxWxD): 1775.0 x 560 x 550 mm
 Net weight:51.3 kg
 Fuse protection:10 A
 Door hinge: Right reversible
 Voltage: 220-240 V
 Frequency: 50 Hz
 Length electrical supply cord: 230.0 cm
 Number of compressors: 1
 Number of independent cooling systems: 1
 Interior ventilator: Yes
 Reversible Door Hinge: Yes
 Number of Adjustable Shelves in fridge compartment: 5
 Shelves for Bottles: No
 EAN code:4242005365067
 Brand: Bosch
 Product name / Commercial code: KIR81NSE0G
 Product category:Refrigerator
 Frost free system:No
 Installation typology: Integrated
 Included accessories: 3 x egg tray



Series 2, built-in fridge, 177.5 x 56 cm, sliding hinge KIR81NSE0G

The spacious built-in fridge with Multi Box XXL drawer for fruit and vegetables and high stability door trays provides optimal food storage.

Performance and Consumption

- EU19_EEK_D: E
- Total Volume : 310 l
- Annual Energy Consumption: 114 kWh/a
- Climate Class: SN-ST
- Noise Level : 35 dB

Functions

- Bright interior LED fridge light

Design features

- LED electronic control
- Optical and acoustic door open alarm
- SuperCool function
- Automatic defrost fridge
- Easy clean interior

Design features

- Net Fridge Volume : 310 L
- 7 safety glass shelves in fridge compartment of which 5 are height adjustable
- 5 door bins

Freshness System

- 2 MultiBox drawers

Key features - Fridge section

- Right hinged door, reversible door
- integrated
- Length of power cord:230 cm
- 220 - 240 V

Dimension and installation

- Niche Dimensions: 177.5 cm H x 56 cm W x 55 cm D
- Dimensions: 177.2 cm H x 54.1 cm W x 54.8 cm D

Key features - Freezer section

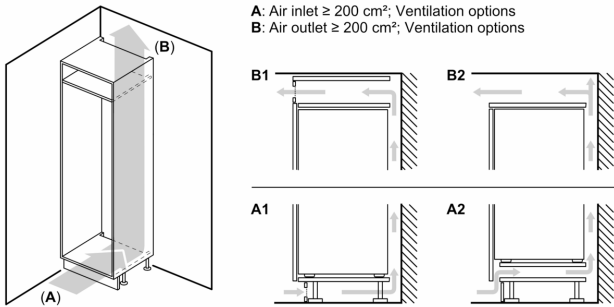
- KIR81NSE0G

Country Specific Options

- Based on the results of the standard 24-hour test. Actual consumption depends on usage/position of the appliance.

Additional features

**Series 2, built-in fridge, 177.5 x 56 cm, sliding hinge
KIR81NSE0G**



Measurements in mm

