

**Series 2, built-in fridge, 122.5 x 56 cm, sliding hinge
KIR41NSE0G**



The spacious built-in fridge with Multi Box XXL drawer for fruit and vegetables and high stability door trays provides optimal food storage.

- **Eco Airflow:** maintains optimal air circulation and a constant temperature level throughout the cooling area.
- **LED lighting - with soft start, lasts for the lifetime of the appliance.**
- **Super Cooling:** cools new food placed inside faster, thus protecting already cooled food.

Technical Data

Energy Efficiency Class:	E
Average annual energy consumption in kilowatt hour per year (kWh/a):	101 kWh/annum
Sum of volume of frozen compartments:	0 l
Sum of volume of chill compartments:	204 l
Airborne acoustical noise emissions :	35 dB(A) re 1 pW
Airborne acoustical noise emission class:	B
Built-in / Free-standing:	Built-in
Door panel options:	Not possible
Height:	1221 mm
Width of the appliance:	541 mm
Depth:	548 mm
Min. required niche size for installation (HxWxD): 1225.0 x 560 x 550 mm	
Net weight:	38.1 kg
Fuse protection:	10 A
Door hinge:	Right reversible
Voltage:	220-240 V
Frequency:	50 Hz
Length electrical supply cord:	230.0 cm
Number of compressors:	1
Number of independent cooling systems:	1
Interior ventilator:	No
Reversible Door Hinge:	Yes
Number of Adjustable Shelves in fridge compartment:	4
Shelves for Bottles:	No
EAN code:	4242005328628
Brand:	Bosch
Product name / Commercial code:	KIR41NSE0G
Product category:	Refrigerator
Frost free system:	No
Installation typology:	Integrated
Included accessories:	3 x egg tray



Included accessories

3 x egg tray

Optional accessories

KSZB6R00 Bottle Rack
KSZGGM00 Butter box



Series 2, built-in fridge, 122.5 x 56 cm, sliding hinge KIR41NSE0G

The spacious built-in fridge with Multi Box XXL drawer for fruit and vegetables and high stability door trays provides optimal food storage.

- Easy Installation

Performance and Consumption

- EU19_EEK_D: E
- Total Volume : 204 l
- Net Fridge Volume : 204 l
- Net Freezer Volume : 0 l
- Annual Energy Consumption: 101 kWh/a
- Climate Class: SN-ST
- EU19_Fast freezer facility_D: no
- Noise Level : 35 dB

Functions

- Bright interior LED fridge light

Design features

- LED electronic control
- Automatic defrost fridge
- SuperCool function
- Optical and acoustical door open warning

Design features

- 5 safety glass shelves (4 height adjustable)

Freshness System

- 1 MultiBox - Transparent drawer with a rippled bottom, ideal for storing fruits and vegetables.

Dimension and installation

- Dimensions: 122.1 cm H x 54.1 cm W x 54.8 cm D
- Niche Dimensions: 122.5 cm H x 56 cm W x 55 cm D

Key features - Fridge section

- Right hinged door, reversible door
- 220 - 240 V

Key features - Freezer section

- 3 x egg tray
- bottle holder in door tray

Country Specific Options

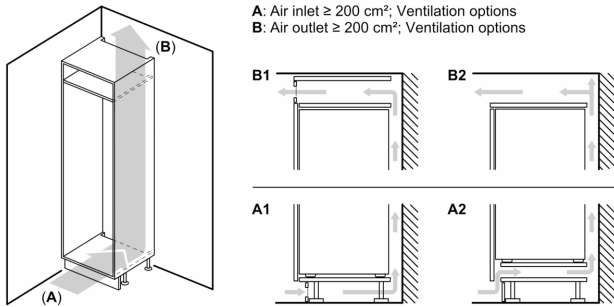
- Based on the results of the standard 24-hour test. Actual consumption depends on usage/position of the appliance.

Design features

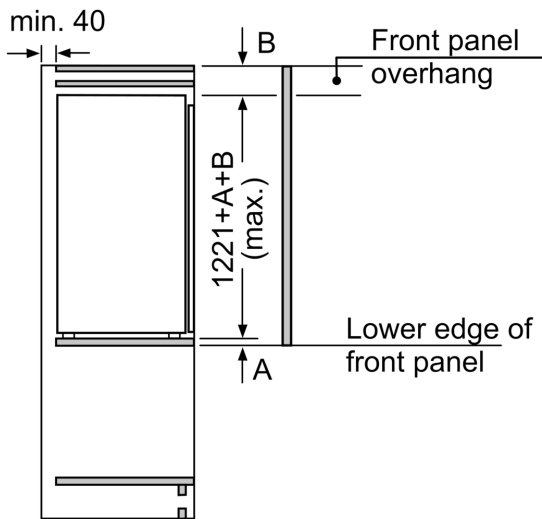
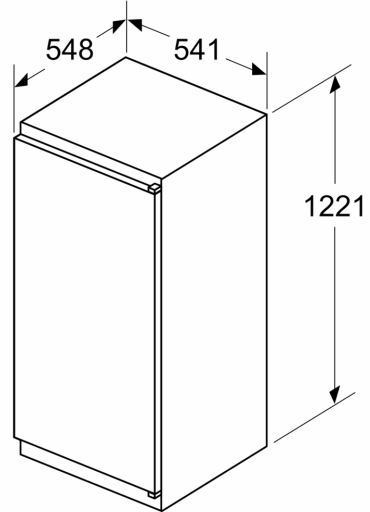
Dimension and installation

Additional features

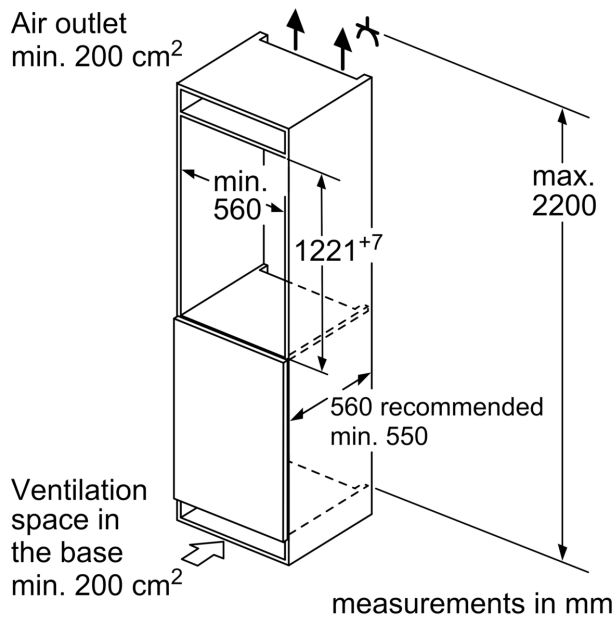
**Series 2, built-in fridge, 122.5 x 56 cm, sliding hinge
KIR41NSE0G**



Measurements in mm



measurements in mm



measurements in mm