

**Series 4, built-in fridge, 88 x 56 cm,
flat hinge
KIR21VFE0G**



The spacious built-in fridge with Multi Box XXL drawer for fruit and vegetables and high stability door trays provides optimal food storage.

- **Eco Airflow:** maintains optimal air circulation and a constant temperature level throughout the cooling area.
- **LED lighting - with soft start, lasts for the lifetime of the appliance.**
- **Super Cooling:** cools new food placed inside faster, thus protecting already cooled food.
- **High-stability door trays:** extra high and flexible for more space and stability.

Technical Data

Energy Efficiency Class: E
 Average annual energy consumption in kilowatt hour per year (kWh/a): 92 kWh/annum
 Sum of volume of frozen compartments: 0 l
 Sum of volume of chill compartments: 136 l
 Airborne acoustical noise emissions :35 dB(A) re 1 pW
 Airborne acoustical noise emission class:B
 Built-in / Free-standing: Built-in
 Door panel options: Possible but accessory
 Height: 874 mm
 Width of the appliance: 541 mm
 Depth: 548 mm
 Min. required niche size for installation (HxWxD):880 x 560 x 550 mm
 Net weight: 30.5 kg
 Fuse protection: 10 A
 Door hinge: Right reversible
 Voltage: 220-240 V
 Frequency: 50 Hz
 Length electrical supply cord: 230.0 cm
 Number of compressors: 1
 Number of independent cooling systems: 1
 Interior ventilator: No
 Reversible Door Hinge: Yes
 Number of Adjustable Shelves in fridge compartment: 2
 Shelves for Bottles: Yes
 EAN code: 4242005331420
 Brand: Bosch
 Product name / Commercial code: KIR21VFE0G
 Product category: Refrigerator
 Frost free system: No
 Installation typology: Integrated
 Included accessories: 3 x egg tray, 1 x bottle support

Included accessories

3 x egg tray, 1 x bottle support

Optional accessories

- | | |
|----------|-----------------------------|
| KFZ20AX0 | Door panel with decor frame |
| KFZ20SX0 | Stainless steel door panel |
| KSZB6R00 | Bottle Rack |
| KSZGGM00 | Butter box |





Series 4, built-in fridge, 88 x 56 cm, flat hinge KIR21VFE0G

**The spacious built-in fridge with Multi Box
XXL drawer for fruit and vegetables and
high stability door trays provides optimal
food storage.**

- Built-in fridge
- easy installation
- Fixed hinge, soft closing door: No

Performance and Consumption

- EU19_EEK_D: E
- Total Volume : 136 l
- Net Fridge Volume : 136 l
- Annual Energy Consumption: 92 kWh/a
- Climate Class: SN-ST
- EU19_Fast freezer facility_D: no
- Noise Level : 35 dB

Functions

- Bright interior LED fridge light

Design features

- LED electronic control
- SuperCool function

Design features

- 3 safety glass shelves in fridge compartment of which 2 are height adjustable
- 1 removable door storage compartments.
- 2 door bins

Freshness System

- 1 MultiBox - Transparent drawer with a rippled bottom, ideal for storing fruits and vegetables.

Food freshness system

Dimension and installation

- Dimensions: 87.4 cm H x 54.1 cm W x 54.8 cm D
- Niche Dimensions: 88 cm H x 56 cm W x 55 cm D

Key features - Fridge section

- Length of power cord: 230 cm
- 220 - 240 V

Key features - Freezer section

- 3 x egg tray, bottle support

Country Specific Options

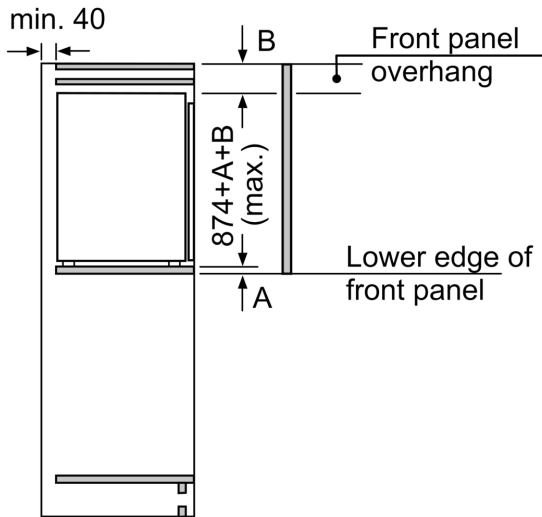
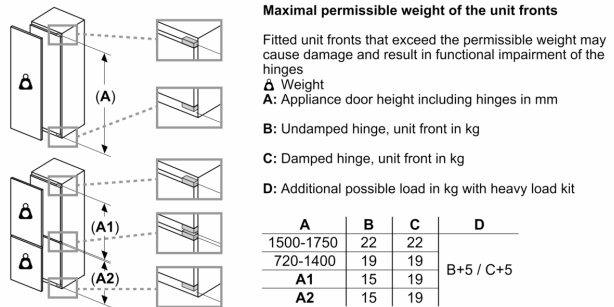
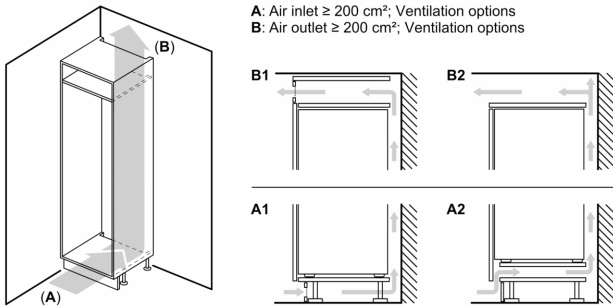
- Based on the results of the standard 24-hour test. Actual consumption depends on usage/position of the appliance.

Design features

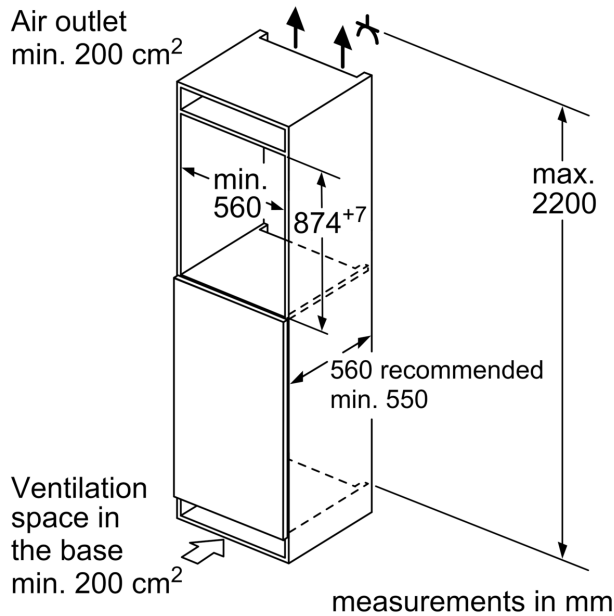
Dimension and installation

Additional features

**Series 4, built-in fridge, 88 x 56 cm,
flat hinge
KIR21VFE0G**

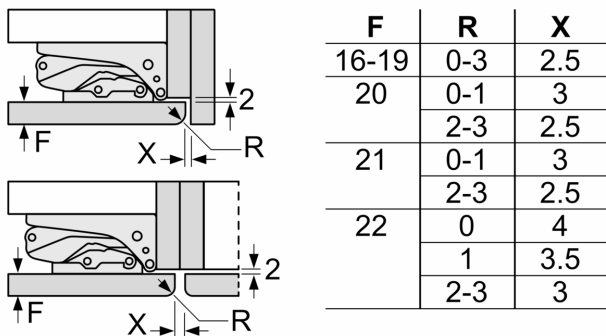


measurements in mm



measurements in mm

measurements in mm
Recommended gap dimensions for flat hinges



The gap dimensions recommended in the table must be adhered to in order to ensure that appliance doors do not collide with anything when they are opened, and to avoid causing damage to kitchen units.