

**Series 2, built-in fridge, 88 x 56 cm,
sliding hinge
KIR21NSE0G**



The spacious built-in fridge with Multi Box XXL drawer for fruit and vegetables and Super Cooling function provides optimal food storage.

- **Eco Airflow:** maintains optimal air circulation and a constant temperature level throughout the cooling area.
- **LED lighting - with soft start, lasts for the lifetime of the appliance.**
- **Super Cooling:** cools new food placed inside faster, thus protecting already cooled food.

Technical Data

| | |
|--|--------------------|
| Energy Efficiency Class: | E |
| Average annual energy consumption in kilowatt hour per year (kWh/a): | 92 kWh/annum |
| Sum of volume of frozen compartments: | 0 l |
| Sum of volume of chill compartments: | 136 l |
| Airborne acoustical noise emissions : | 35 dB(A) re 1 pW |
| Airborne acoustical noise emission class: | B |
| Built-in / Free-standing: | Built-in |
| Door panel options: | Not possible |
| Height: | 874 mm |
| Width of the appliance: | 541 mm |
| Depth: | 548 mm |
| Min. required niche size for installation (HxWxD): | 880 x 560 x 550 mm |
| Net weight: | 29.1 kg |
| Fuse protection: | 10 A |
| Door hinge: | Right reversible |
| Voltage: | 220-240 V |
| Frequency: | 50 Hz |
| Length electrical supply cord: | 230.0 cm |
| Number of compressors: | 1 |
| Number of independent cooling systems: | 1 |
| Interior ventilator: | No |
| Reversible Door Hinge: | Yes |
| Number of Adjustable Shelves in fridge compartment: | 2 |
| Shelves for Bottles: | No |
| EAN code: | 4242005330126 |
| Brand: | Bosch |
| Product name / Commercial code: | KIR21NSE0G |
| Product category: | Refrigerator |
| Frost free system: | No |
| Installation typology: | Integrated |
| Included accessories: | 3 x egg tray |

Included accessories

3 x egg tray

Optional accessories

KSZB6R00 Bottle Rack
KSZGGM00 Butter box



Series 2, built-in fridge, 88 x 56 cm, sliding hinge KIR21NSE0G

**The spacious built-in fridge with Multi Box
XXL drawer for fruit and vegetables and
Super Cooling function provides optimal
food storage.**

- Sliding hinge, softClosing door: No

Performance and Consumption

- EU19_EEK_D: E
- Total Volume : 136 l
- Net Fridge Volume : 136 l
- Annual Energy Consumption: 92 kWh/a
- Climate Class: SN-ST
- EU19_Fast freezer facility_D: no
- Noise Level : 35 dB

Functions

- Bright interior LED fridge light

Design features

- LED electronic control
- SuperCool function

Design features

- 3 safety glass shelves in fridge compartment of which 2 are height adjustable
- 1 removable door storage compartments.
- 2 door bins

Freshness System

- 1 MultiBox - Transparent drawer with a rippled bottom, ideal for storing fruits and vegetables.

Food freshness system

Dimension and installation

- Dimensions: 87.4 cm H x 54.1 cm W x 54.8 cm D
- Niche Dimensions: 88 cm H x 56 cm W x 55 cm D

Key features - Fridge section

- Length of power cord:230 cm
- 220 - 240 V

Key features - Freezer section

- 3 x egg tray

Country Specific Options

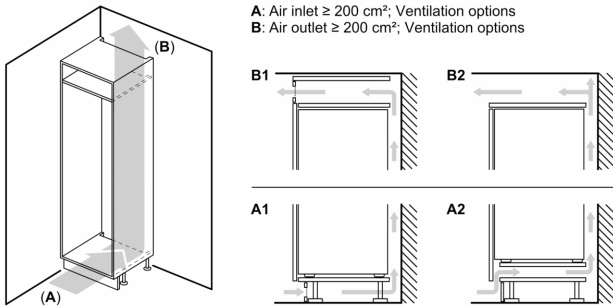
- Based on the results of the standard 24-hour test. Actual consumption depends on usage/position of the appliance.

Design features

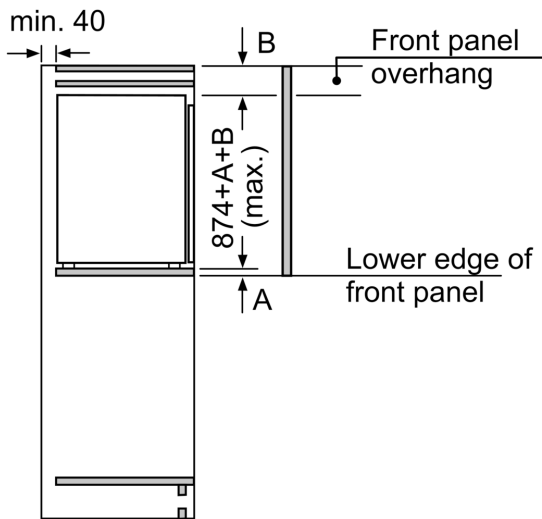
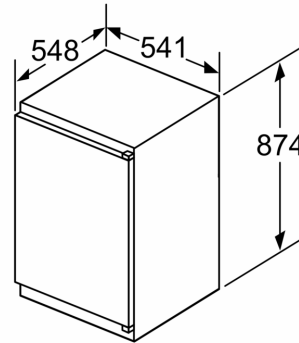
Dimension and installation

Additional features

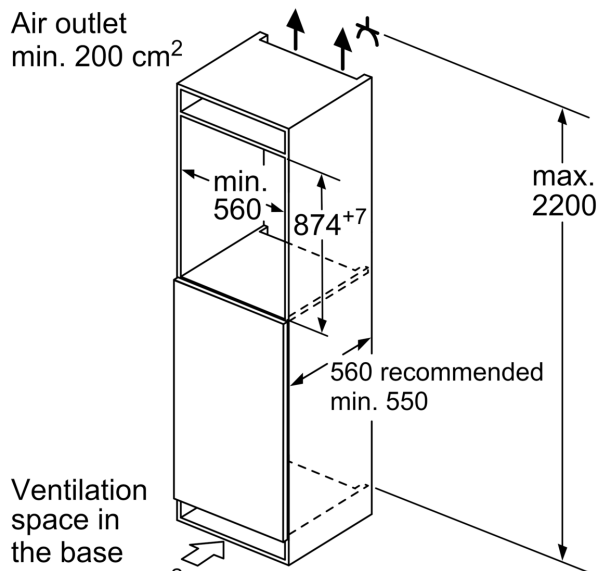
**Series 2, built-in fridge, 88 x 56 cm,
sliding hinge
KIR21NSE0G**



Measurements in mm



measurements in mm



measurements in mm