

**Series 4, built-in fridge-freezer with freezer at bottom, 193.5 x 55.8 cm, flat hinge
KIN96VFD0**



Optional accessories

KSZGGM00 Butter box

The large built-in fridge freezer with 12% more cooling volume or 1 extra shelf including VitaFresh XXL <0°C> system, No Frost and error warning signal for optimal storage.

- **Big capacity:** with just a little more space in your kitchen, you can get lots more space in your fridge.
- **NoFrost:** never defrost again, thanks to perfect protection from ice formation - that saves time and effort.
- **High-stability door trays:** extra high and flexible for more space and stability.
- **2 cooling circuits:** separately controllable refrigerator and freezer compartments - prevents odour transfer.
- **LED lighting - with soft start, lasts for the lifetime of the appliance.**

Technical Data

Energy Efficiency Class:	D
Average annual energy consumption in kilowatt hour per year (kWh/a):	184 kWh/annum
Sum of volume of frozen compartments:	75 l
Sum of volume of chill compartments:	215 l
Airborne acoustical noise emissions :	34 dB(A) re 1 pW
Airborne acoustical noise emission class:	B
Built-in / Free-standing:	Built-in
Door panel options:	Possible but accessory
Height:	1935 mm
Width of the appliance:	558 mm
Depth:	548 mm
Min. required niche size for installation (HxWxD): ..	1940 x 560 x 550 mm
Net weight:	60.8 kg
Fuse protection:	10 A
Door hinge:	Right reversible
Voltage:	220-240 V
Frequency:	50 Hz
Length electrical supply cord:	230.0 cm
Number of compressors:	1
Number of independent cooling systems:	2
Interior ventilator:	No
Reversible Door Hinge:	Yes
Number of Adjustable Shelves in fridge compartment:	4
Shelves for Bottles:	Yes
Frost free system:	Fridge and freezer
Installation typology:	Integrated



Series 4, built-in fridge-freezer with freezer at bottom, 193.5 x 55.8 cm, flat hinge KIN96VFD0

The large built-in fridge freezer with 12% more cooling volume or 1 extra shelf including VitaFresh XXL <0°C> system, No Frost and error warning signal for optimal storage.

Design features

- Right hinged door, reversible door
- Height adjustable front feet
- Bright interior LED fridge light
- Separate, electronic temperature control with LED display

Functions

- NoFrost freezer, never have to defrost ever again
- Two separate cooling circuits allow independent temperature control and prevents the transference of humidity between the fridge and freezer cavity
- SuperCool function
- SuperFreezing function with automatic deactivation
- Optical and acoustic door open alarm

Food freshness system

- 1 VitaFresh drawer with humidity control - Fruits and vegetables retain vitamins and stay fresh for longer

Key features - Fridge section

- 5 safety glass shelves in fridge compartment of which 4 are height adjustable
- Door shelves in fridge door: 1 large and 3 small
- Bottle rack

Key features - Freezer section

- 3 freezer drawers

Additional features

- 3 x egg tray, 1 x ice cube tray

Performance and Consumption

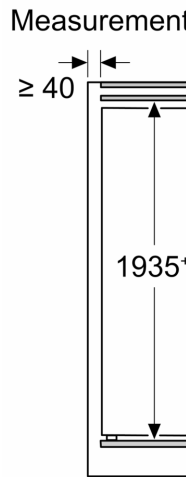
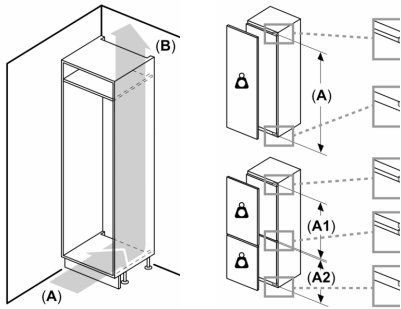
- Climate Class: SN-ST
- Total Volume : 290 l
- Net Fridge Volume : 215 l
- Net Freezer Volume : 75 l
- Annual Energy Consumption: 184 kWh/a
- Noise Level : 34 dB
- Temperature rise time : EU19_Temperature rise time_D: 11 H
- Freezing capacity 24h : 8 kg
- 220 - 240 V
- EU19_EEK_D: D
- EU19_Fast freezer facility_D: yes
- Based on the results of the standard 24-hour test. Actual consumption depends on usage/position of the appliance.

Dimension and installation

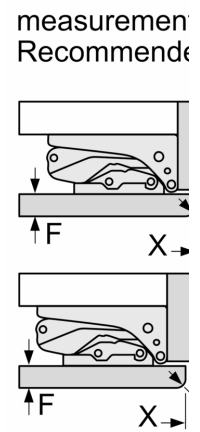
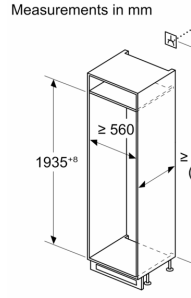
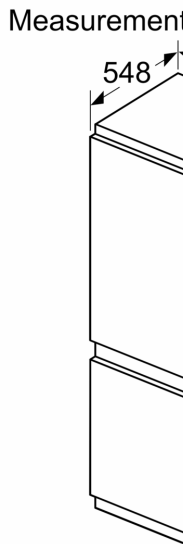
- Dimensions: 193.5 cm H x 55.8 cm W x 54.8 cm D
- Niche Dimensions: 194 cm H x 56 cm W x 55 cm D
- easy Installation
- Length of power cord: 230 cm

Country Specific Options

**Series 4, built-in fridge-freezer with
freezer at bottom, 193.5 x 55.8 cm,
flat hinge
KIN96VFD0**



C: Front pane
D: Lower edge



The gap dime
in the table m
to ensure tha
collide with a
and to avoid c