

**Series 4, built-in fridge-freezer with freezer at bottom, 177.2 x 54.1 cm, flat hinge
KIN86VF30G**



The bottom freezer with MultiBox and electronic temperature control: set the temperature easily and precisely.

- **LED lighting** - with soft start, lasts for the lifetime of the appliance.
- **VarioZone**: more flexibility due to variable-use glass shelves and drawers in the freezer compartment.
- **Big Box drawer**: for stacking storage containers or for large frozen food items.
- **Intelligent Inverter Technology**: ensuring stable temperature control and efficient performance.
- **SuperFreezing**: Protects frozen food from defrosting.

Technical Data

Built-in / Free-standing:	Built-in
Door panel options:	Not possible
Height:	1772 mm
Width of the appliance:	541 mm
Depth:	545 mm
Min. required niche size for installation (HxWxD):	1775.0 x 560 x 550 mm
Net weight:	64.6 kg
Connection rating:	90 W
Fuse protection:	13 A
Door hinge:	Right reversible
Voltage:	220-240 V
Frequency:	50 Hz
Length electrical supply cord:	230.0 cm
Number of compressors:	1
Number of independent cooling systems:	1
Interior ventilator:	No
Reversible Door Hinge:	Yes
Number of Adjustable Shelves in fridge compartment:	3
Shelves for Bottles:	No
Frost free system:	Fridge and freezer
Installation typology:	Integrated

Optional accessories

KSZ10020 Bottle Rack



Series 4, built-in fridge-freezer with freezer at bottom, 177.2 x 54.1 cm, flat hinge KIN86VF30G

The bottom freezer with MultiBox and electronic temperature control: set the temperature easily and precisely.

Performance and Consumption

- Energy Efficiency Class: A++
- Energy consumption: 222 kWh kWh/yr.
- Total net capacity: 255 litres
- Net fridge capacity: 188 litres
- Net freezer capacity: 67 litres
- Noise level dB(A) re 1 pW: 39
- Climate class SN-ST (suitable for ambient temperatures between 10 to 38°C)

Design features

- Electronic LED display
- Bright interior LED fridge light
- Right hinged door, reversible door
- 1 compressor

Food freshness system

- FreshSense - Constant temperature control by intelligent sensor technology
- 1 MultiBox - Transparent drawer with a rippled bottom, ideal for storing fruits and vegetables.
- 2 x cold accumulator, 3 x egg tray, 1 x ice cube tray

Key features - Fridge section

- 4 door bins

Key features - Freezer section

- NoFrost freezer, never have to defrost ever again
- 3 transparent freezer drawers, including 1 BigBox
- Freezing capacity in 24 hours: 8 kg
- Maximum freezer storage time in power failure: 13 hours
- Calendar frozen food

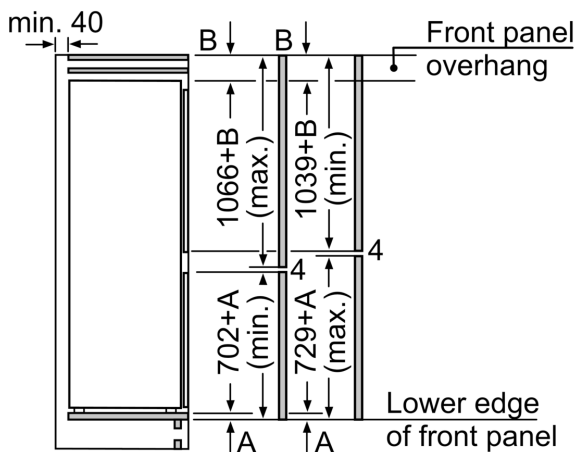
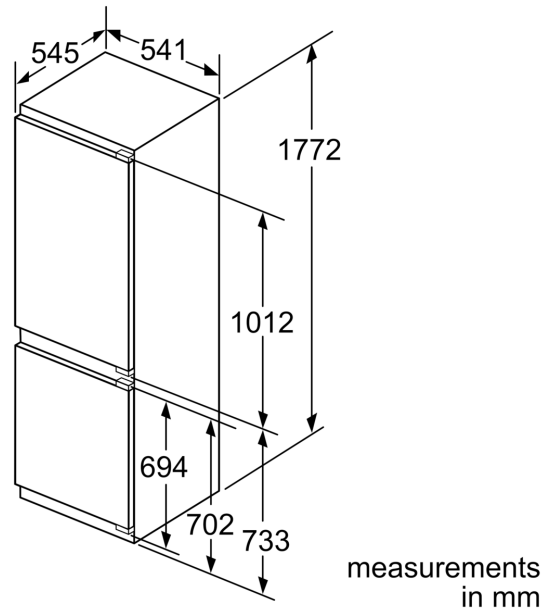
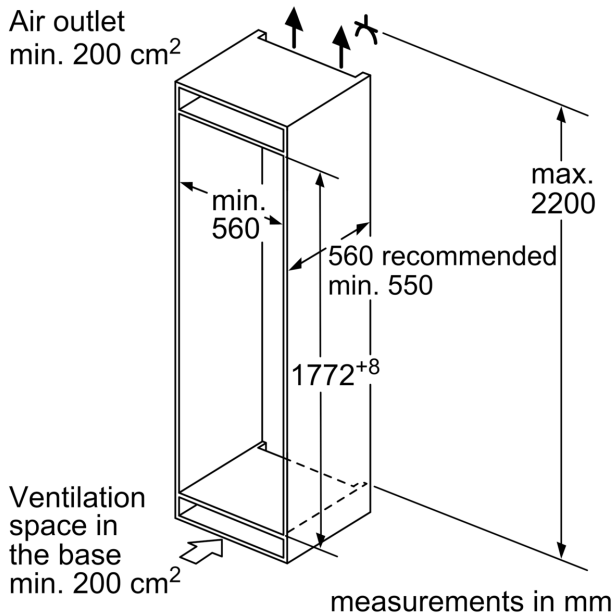
Functions

- SuperFreezing function with automatic deactivation

Dimension and installation

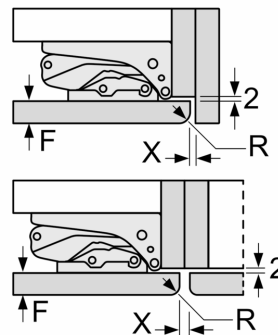
- Dimensions: 177.2 cm H x 54.1 cm W x 54.5 cm D
- Niche Dimensions: 177.5 cm H x 56 cm W x 55 cm D
- 220 - 240 V

**Series 4, built-in fridge-freezer with
freezer at bottom, 177.2 x 54.1 cm,
flat hinge
KIN86VF30G**



The specified unit door dimensions are valid for a door gap of 4 mm.
measurements in mm

measurements in mm
Recommended gap dimensions for flat hinges



F	R	X
16-19	0-3	2.5
20	0-1	3
	2-3	2.5
21	0-1	3
	2-3	2.5
22	0	4
	1	3.5
	2-3	3

The gap dimensions recommended in the table must be adhered to in order to ensure that appliance doors do not collide with anything when they are opened, and to avoid causing damage to kitchen units.