

**Series 2, built-in fridge-freezer with freezer at bottom, 177.2 x 54.1 cm, sliding hinge KIN86NSF0G**



**The spacious built-in fridge-freezer combination with NoFrost provides optimal food storage and ice formation is no longer an issue.**

- **MultiBox XXL:** extra-large drawer for your fruit and vegetables.
- **Eco Airflow:** maintains optimal air circulation and a constant temperature level throughout the cooling area.
- **LED lighting - with soft start, lasts for the lifetime of the appliance.**
- **SuperFreezing:** Protects frozen food from defrosting.
- **NoFrost:** never defrost again, thanks to perfect protection from ice formation - that saves time and effort.



**Optional accessories**

- KSZB6R00 Bottle Rack
- KSZGGM00 Butter box

**Technical Data**

Energy Efficiency Class: .....	F
Average annual energy consumption in kilowatt hour per year (kWh/a): .....	293 kWh/annum
Sum of volume of frozen compartments: .....	76 l
Sum of volume of chill compartments: .....	184 l
Airborne acoustical noise emissions : .....	39 dB(A) re 1 pW
Airborne acoustical noise emission class: .....	C
Built-in / Free-standing: .....	Built-in
Door panel options: .....	Not possible
Height: .....	1772 mm
Width of the appliance: .....	541 mm
Depth: .....	548 mm
Min. required niche size for installation (HxWxD): 1775.0 x 560 x 550 mm	
Net weight: .....	50.6 kg
Fuse protection: .....	10 A
Door hinge: .....	Right reversible
Voltage: .....	220-240 V
Frequency: .....	50 Hz
Length electrical supply cord: .....	230.0 cm
Number of compressors: .....	1
Number of independent cooling systems: .....	1
Interior ventilator: .....	No
Reversible Door Hinge: .....	Yes
Number of Adjustable Shelves in fridge compartment: .....	3
Shelves for Bottles: .....	No
Frost free system: .....	Fridge and freezer
Installation typology: .....	Integrated



## **Series 2, built-in fridge-freezer with freezer at bottom, 177.2 x 54.1 cm, sliding hinge KIN86NSFOG**

**The spacious built-in fridge-freezer combination with NoFrost provides optimal food storage and ice formation is no longer an issue.**

- 
- Built-in fridge-freezer combination
  - easy Installation

### **Performance and Consumption**

- EU19\_EEK\_D: F
- Total Volume : 260 l
- Net Fridge Volume : 184 l
- Net Freezer Volume : 76 l
- Freezing capacity 24h : 4 kg
- Annual Energy Consumption: 293 kWh/a
- Climate Class: SN-ST
- EU19\_Fast freezer facility\_D: yes
- Noise Level : 39 dB
- Temperature rise time : EU19\_Temperature rise time\_D: 10 H

### **Functions**

- Bright interior LED fridge light

### **Design features**

- LED electronic control
- Optical and acoustic door open alarm

### **Design features**

- 4 safety glass shelves in fridge compartment of which 3 are height adjustable
- 3 door trays, including 0x dairy compartment
- 1 removable door storage compartments.

### **Freshness System**

- 1 MultiBox - Transparent drawer with a rippled bottom, ideal for storing fruits and vegetables.

### **Food freshness system**

- SuperFreezing function with automatic deactivation
- NoFrost freezer, never have to defrost ever again
- 3 freezer drawers

### **Dimension and installation**

- Dimensions: 177.2 cm H x 54.1 cm W x 54.8 cm D
- Niche Dimensions: 177.5 cm H x 56 cm W x 55 cm D

### **Key features - Fridge section**

- Right hinged door, reversible door
- 220 - 240 V

### **Key features - Freezer section**

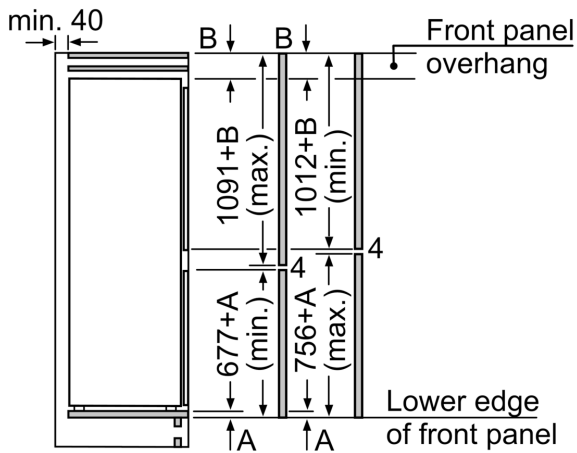
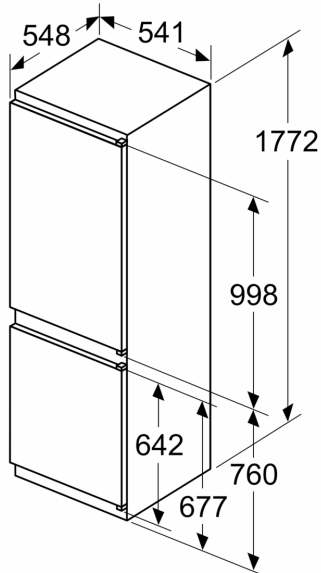
- 3 x egg tray, 1 x ice cube tray

### **Country Specific Options**

- Based on the results of the standard 24-hour test. Actual consumption depends on usage/position of the appliance.

**Series 2, built-in fridge-freezer with  
freezer at bottom, 177.2 x 54.1 cm,  
sliding hinge  
KIN86NSF0G**

measurements in mm



The specified unit door dimensions  
are valid for a door gap of 4 mm.

measurements in mm

