

**Series 6, built-in fridge-freezer with freezer at bottom, 177.2 x 55.8 cm, flat hinge
KIN86AFF0G**



Optional accessories

KSZ10020 Bottle Rack
KSZGGM00 Butter box

The bottom freezer with VitaFresh plus drawer: keeps your fruit and vegetables fresher for longer.

- **VitaFresh:** vitamin rich fruit & vegetables stay fresh for longer in a climate controlled drawer.
- **LED lighting - with soft start, lasts for the lifetime of the appliance.**
- **VarioZone:** more flexibility due to variable-use glass shelves and drawers in the freezer compartment.
- **Big Box drawer:** for stacking storage containers or for large frozen food items.
- **Easy Access Shelf:** a pull-out glass shelf for easier access to everything inside your fridge.

Technical Data

Energy Efficiency Class: F
 Average annual energy consumption in kilowatt hour per year (kWh/a): 277 kWh/annum
 Sum of volume of frozen compartments: 67 l
 Sum of volume of chill compartments: 187 l
 Airborne acoustical noise emissions : 39 dB(A) re 1 pW
 Airborne acoustical noise emission class: C
 Built-in / Free-standing: Built-in
 Door panel options: Not possible
 Height: 1772 mm
 Width of the appliance: 558 mm
 Depth: 545 mm
 Min. required niche size for installation (HxWxD): 1775.0 x 560 x 550 mm
 Net weight: 67.1 kg
 Connection rating: 90 W
 Fuse protection: 13 A
 Door hinge: Right reversible
 Voltage: 220-240 V
 Frequency: 50 Hz
 Length electrical supply cord: 230.0 cm
 Number of compressors: 1
 Number of independent cooling systems: 2
 Interior ventilator: Yes
 Reversible Door Hinge: Yes
 Number of Adjustable Shelves in fridge compartment: 4
 Shelves for Bottles: No
 Frost free system: Fridge and freezer
 Installation typology: Integrated



Series 6, built-in fridge-freezer with freezer at bottom, 177.2 x 55.8 cm, flat hinge KIN86AFF0G

The bottom freezer with VitaFresh plus drawer: keeps your fruit and vegetables fresher for longer.

- Freezing capacity 24h : 6 kg
- Annual Energy Consumption: 277 kWh/a
- Climate Class: SN-ST
- Noise Level : 39 dB
- Temperature rise time : EU19_Temperature rise time_D: 9 H

Functions

- Bright interior LED fridge light

Design features

- Electronic control for fridge and freezer with LED display
- FreshSense - Constant temperature control by intelligent sensor technology
- Two separate cooling circuits allow independent temperature control and prevents the transference of humidity between the fridge and freezer cavity
- SuperCool function
- Holiday mode - saves energy when you're away a longer period of time
- Optical and acoustical door open warning
- Freezer malfunction warning signal: optical and accoustical

Design features

- 5 safety glass shelves (4 height adjustable)
- 5 door trays, including 1x dairy compartment

Freshness System

- 1 VitaFresh plus drawer with humidity control. Fruit and vegetables retain vitamins and last longer

Food freshness system

- NoFrost freezer, never have to defrost ever again
- Vario Zone - removable safety glass shelves for extra space!
- 3 transparent freezer drawers, including 1 BigBox

Dimension and installation

- Dimensions: 177.2 cm H x 55.8 cm W x 54.5 cm D
- Niche Dimensions: 177.5 cm H x 56 cm W x 55 cm D

Key features - Fridge section

- Right hinged door, reversible door
- Connection value 90 W
- 220 - 240 V

Key features - Freezer section

- KIN86AFF0G

Country Specific Options

- Based on the results of the standard 24-hour test. Actual consumption depends on usage/position of the appliance.

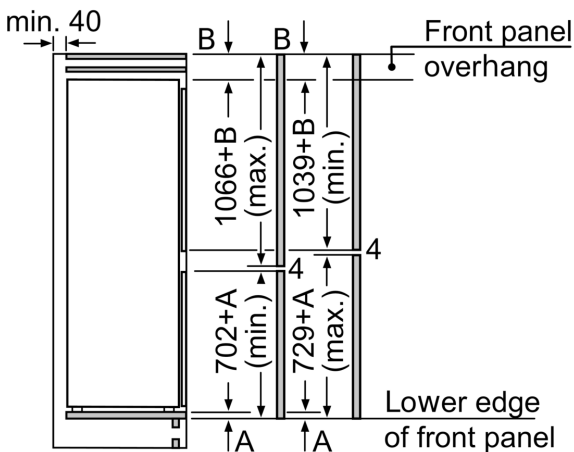
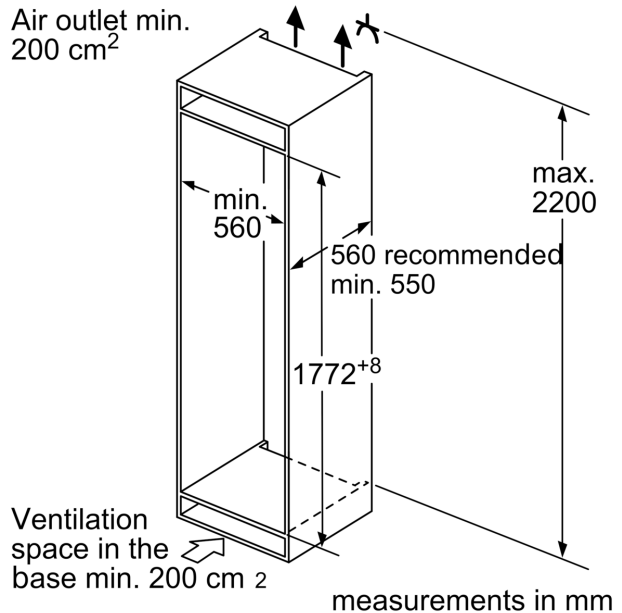
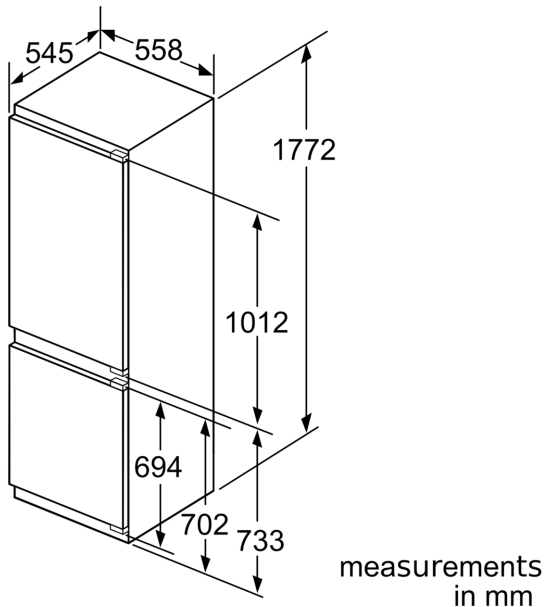
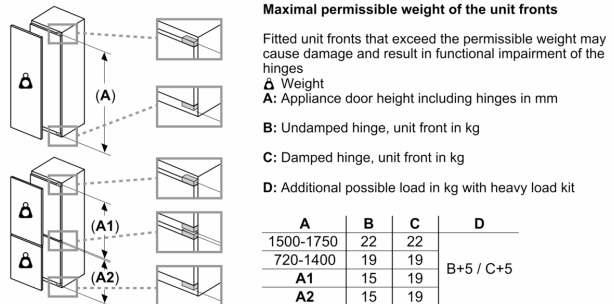
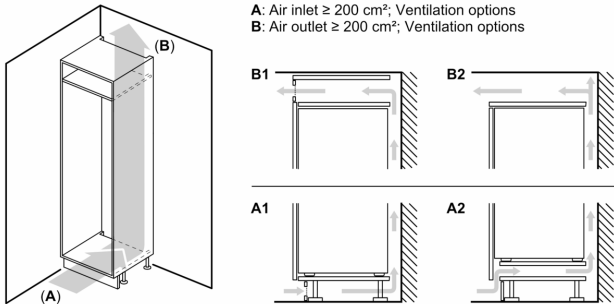
Design features

Additional features

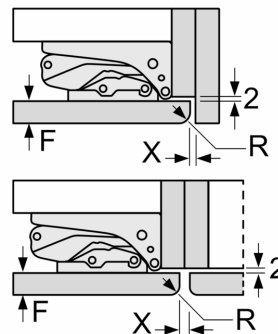
Performance and Consumption

- EU19_EEK_D: F
- Total Volume : 254 l
- Net Fridge Volume : 187 l
- Net Freezer Volume : 67 l

Series 6, built-in fridge-freezer with freezer at bottom, 177.2 x 55.8 cm, flat hinge KIN86AFF0G



measurements in mm
 Recommended gap dimensions for flat hinges



	F	R	X
16-19	0-3	2.5	
20	0-1	3	
	2-3	2.5	
21	0-1	3	
	2-3	2.5	
22	0	4	
	1	3.5	
	2-3	3	

The specified unit door dimensions are valid for a door gap of 4 mm.
 measurements in mm

The gap dimensions recommended in the table must be adhered to in order to ensure that appliance doors do not collide with anything when they are opened, and to avoid causing damage to kitchen units.