

**Series 2, built-in fridge-freezer with freezer at bottom, 177.2 x 54.1 cm, flat hinge  
KIN85NFF0G**



**Optional accessories**

- KSZB6R00 Bottle Rack
- KSZGGM00 Butter box

**The spacious built-in fridge-freezer combination with NoFrost provides optimal food storage and ice formation is no longer an issue.**

- **MultiBox XXL:** extra-large drawer for your fruit and vegetables.
- **Eco Airflow:** maintains optimal air circulation and a constant temperature level throughout the cooling area.
- **LED lighting - with soft start, lasts for the lifetime of the appliance.**
- **SuperFreezing:** Protects frozen food from defrosting.
- **NoFrost:** never defrost again, thanks to perfect protection from ice formation - that saves time and effort.

**Technical Data**

|  |                        |
|--|------------------------|
| Energy Efficiency Class: .....   | F                      |
| Average annual energy consumption in kilowatt hour per year (kWh/a): ..... | 298 kWh/annum          |
| Sum of volume of frozen compartments: .....                                | 99 l                   |
| Sum of volume of chill compartments: .....                                 | 150 l                  |
| Airborne acoustical noise emissions : .....                                | 39 dB(A) re 1 pW       |
| Airborne acoustical noise emission class: .....                            | C                      |
| Built-in / Free-standing: .....  | Built-in               |
| Door panel options: .....  | Possible but accessory |
| Height: .....  | 1772 mm                |
| Width of the appliance: .....  | 541 mm                 |
| Depth: .....   | 548 mm                 |
| Min. required niche size for installation (HxWxD): 1775.0 x 560 x 550 mm   |                        |
| Net weight: .....  | 53.0 kg                |
| Fuse protection: .....   | 10 A                   |
| Door hinge: .....  | Right reversible       |
| Voltage: .....   | 220-240 V              |
| Frequency: .....   | 50 Hz                  |
| Length electrical supply cord: .....                                       | 230.0 cm               |
| Number of compressors: .....   | 1                      |
| Number of independent cooling systems: .....                               | 1                      |
| Interior ventilator: .....   | No                     |
| Reversible Door Hinge: .....   | Yes                    |
| Number of Adjustable Shelves in fridge compartment: .....                  | 2                      |
| Shelves for Bottles: .....   | No                     |
| Frost free system: .....   | Fridge and freezer     |
| Installation typology: .....   | Integrated             |



## **Series 2, built-in fridge-freezer with freezer at bottom, 177.2 x 54.1 cm, flat hinge KIN85NFF0G**

**The spacious built-in fridge-freezer combination with NoFrost provides optimal food storage and ice formation is no longer an issue.**

- 
- Built-in fridge-freezer combination
  - Fixed hinge, softClosing door: No
  - easy Installation

### **Performance and Consumption**

- EU19\_EEK\_D: F
- Total Volume : 249 l
- Net Fridge Volume : 150 l
- Net Freezer Volume : 99 l
- Freezing capacity 24h : 5.5 kg
- Annual Energy Consumption: 298 kWh/a
- Climate Class: SN-ST
- Noise Level : 39 dB
- Temperature rise time : EU19\_Temperature rise time\_D: 10 H

### **Functions**

- Bright interior LED fridge light

### **Design features**

- LED electronic control
- Optical and acoustic door open alarm

### **Design features**

- 3 safety glass shelves in fridge compartment of which 2 are height adjustable
- 2 door trays, including 0x dairy compartment
- 1 removable door storage compartments.

### **Freshness System**

- 1 MultiBox - Transparent drawer with a rippled bottom, ideal for storing fruits and vegetables.

### **Food freshness system**

- SuperFreezing function with automatic deactivation

### **Dimension and installation**

- Dimensions: 177.2 cm H x 54.1 cm W x 54.8 cm D
- Niche Dimensions: 177.5 cm H x 56 cm W x 55 cm D

### **Key features - Fridge section**

- Right hinged door, reversible door
- 220 - 240 V

### **Key features - Freezer section**

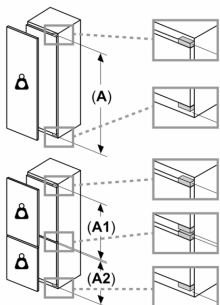
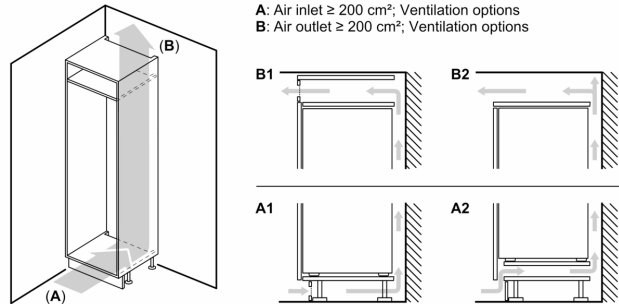
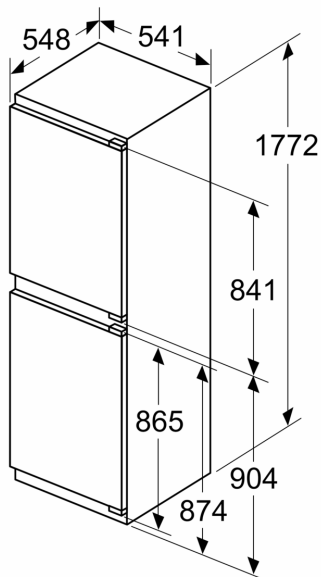
- 3 x egg tray, 1 x ice cube tray

### **Country Specific Options**

- Based on the results of the standard 24-hour test. Actual consumption depends on usage/position of the appliance.
- NoFrost freezer, never have to defrost ever again
- 4 freezer drawers

**Series 2, built-in fridge-freezer with  
freezer at bottom, 177.2 x 54.1 cm,  
flat hinge  
KIN85NFF0G**

measurements in mm



**Maximal permissible weight of the unit fronts**

Fitted unit fronts that exceed the permissible weight may cause damage and result in functional impairment of the hinges

$\Delta$  Weight

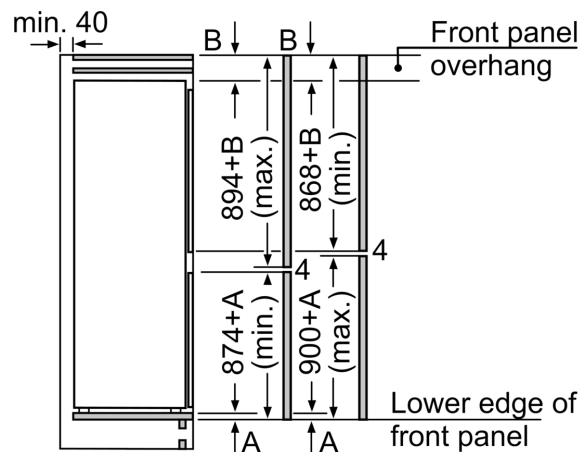
A: Appliance door height including hinges in mm

B: Undamped hinge, unit front in kg

C: Damped hinge, unit front in kg

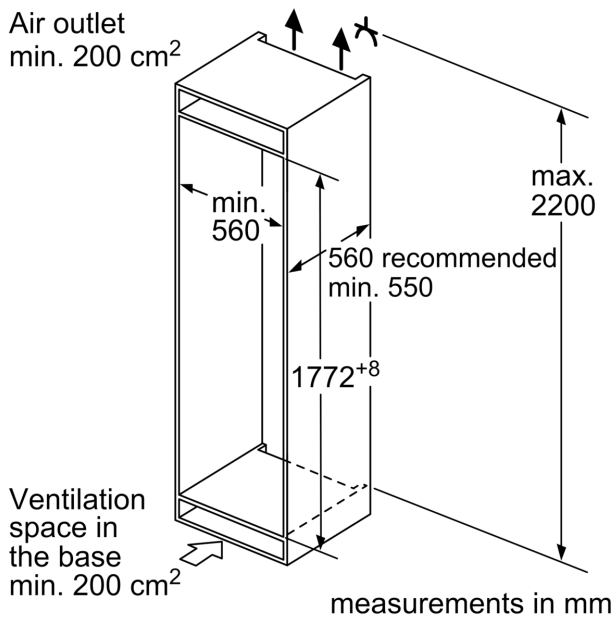
D: Additional possible load in kg with heavy load kit

| A         | B  | C  | D         |
|-----------|----|----|-----------|
| 1500-1750 | 22 | 22 |           |
| 720-1400  | 19 | 19 | B+5 / C+5 |
| A1        | 15 | 19 |           |
| A2        | 15 | 19 |           |

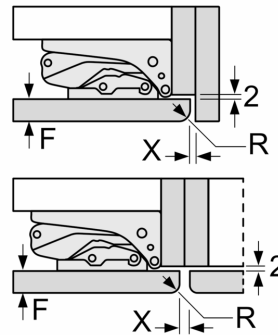


The specified unit door dimensions are valid for a door gap of 4 mm.

measurements in mm



measurements in mm  
Recommended gap dimensions for flat hinges



| F     | R   | X   |
|-------|-----|-----|
| 16-19 | 0-3 | 2.5 |
| 20    | 0-1 | 3   |
|       | 2-3 | 2.5 |
| 21    | 0-1 | 3   |
|       | 2-3 | 2.5 |
| 22    | 0   | 4   |
|       | 1   | 3.5 |
|       | 2-3 | 3   |

The gap dimensions recommended in the table must be adhered to in order to ensure that appliance doors do not collide with anything when they are opened, and to avoid causing damage to kitchen units.