

Series 4, built-in fridge with freezer section, 177.5 x 56 cm, sliding hinge KIL82VS30G



The refrigerator comes with a MultiBox with rippled base: protects your fruits and vegetables - cools very efficiently.

- **LED lighting** - with soft start, lasts for the lifetime of the appliance.
- **Super Cooling**: cools new food placed inside faster, thus protecting already cooled food.

Technical Data

Built-in / Free-standing:	Built-in
Door panel options:	Not possible
Height:	1772 mm
Width of the appliance:	541 mm
Depth:	545 mm
Min. required niche size for installation (HxWxD):	1775.0 x 560 x 550 mm
Net weight:	63.5 kg
Connection rating:	90 W
Fuse protection:	13 A
Door hinge:	Right reversible
Voltage:	220-240 V
Frequency:	50 Hz
Length electrical supply cord:	230.0 cm
Number of compressors:	1
Number of independent cooling systems:	1
Interior ventilator:	No
Reversible Door Hinge:	Yes
Number of Adjustable Shelves in fridge compartment:	4
Shelves for Bottles:	No
EAN code:	4242002906348
Brand:	Bosch
Product name / Commercial code:	KIL82VS30G
Product category:	Refrigerator
Frost free system:	No
Installation typology:	Integrated
Included accessories:	2 x egg tray, 1 x ice cube tray



Included accessories

2 x egg tray, 1 x ice cube tray

Optional accessories

KS10Z020 Bottle Rack



Series 4, built-in fridge with freezer section, 177.5 x 56 cm, sliding hinge KIL82VS30G

The refrigerator comes with a MultiBox with rippled base: protects your fruits and vegetables - cools very efficiently.

Performance and Consumption

- Energy Efficiency Class: A++
- Energy Efficiency Class: A++ kWh/yr: 0.572 kWh
- Total net capacity: 286 litres
- Net fridge capacity: 252 litres
- Net freezer capacity: 34 litres
- Noise level dB(A) re 1 pW: 39

Design features

- Manual defrost freezer
- Right hinged door, reversible door
- LED electronic control
- Removable magnetic door seals - easy to clean

Food freshness system

- 2 MultiBox drawers
- FreshSense - Constant temperature control by intelligent sensor technology
- 1 compressor

Key features - Fridge section

- Automatic defrost fridge
- Bright interior LED fridge light
- 5 safety glass shelves in fridge compartment of which 4 are height adjustable
- SuperCool function

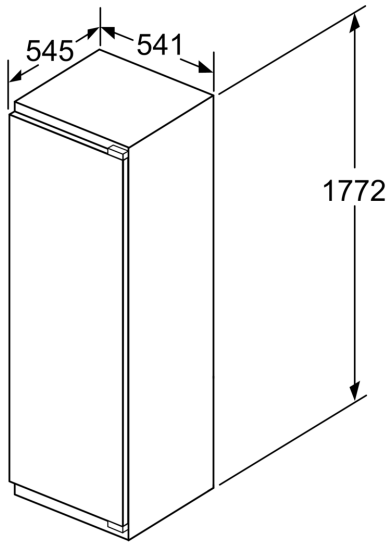
Key features - Freezer section

- 3 x egg tray, 1 x ice cube tray
- **** freezer (-18°C and below)
- Freezing capacity in 24 hours: 3 kg
- Maximum freezer storage time in power failure: 22 hours
- 1 hinged freezer compartment

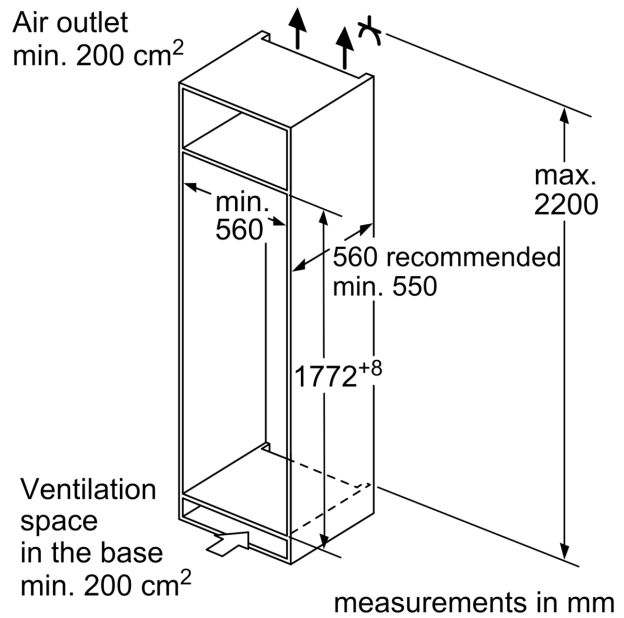
Dimension and installation

- Connection value 90 W
- Dimensions: 177.2 cm H x 54.1 cm W x 54.5 cm D
- Niche Dimensions: 177.5 cm H x 56 cm W x 55 cm D
- Climate class SN-ST (suitable for ambient temperatures between 10 to 38°C)

Series 4, built-in fridge with freezer section, 177.5 x 56 cm, sliding hinge KIL82VS30G



measurements in mm



measurements in mm