

Series 6, built-in fridge with freezer section, 177.5 x 56 cm, flat hinge KIL82AF30G



The refrigerator with VitaFresh plus Box and TouchControl: very efficient - keeps your food fresher for longer.

- **LED lighting** - with soft start, lasts for the lifetime of the appliance.
- **Easy Access Shelf**: a pull-out glass shelf for easier access to everything inside your fridge.
- **Vario Shelf**: space for bottles and bowls with sectioned glass shelves that can be separated and slid underneath.
- **Super Cooling**: cools new food placed inside faster, thus protecting already cooled food.

Technical Data

Built-in / Free-standing:	Built-in
Door panel options:	Not possible
Height:	1772 mm
Width of the appliance:	558 mm
Depth:	545 mm
Min. required niche size for installation (HxWxD):	1775.0 x 560 x 550 mm
Net weight:	67.3 kg
Connection rating:	90 W
Fuse protection:	13 A
Door hinge:	Right reversible
Voltage:	220-240 V
Frequency:	50 Hz
Length electrical supply cord:	230.0 cm
Number of compressors:	1
Number of independent cooling systems:	1
Interior ventilator:	No
Reversible Door Hinge:	Yes
Number of Adjustable Shelves in fridge compartment:	4
Shelves for Bottles:	No
EAN code:	4242002734934
Brand:	Bosch
Product name / Commercial code:	KIL82AF30G
Product category:	Refrigerator
Frost free system:	No
Installation typology:	Integrated
Included accessories:	2 x egg tray, 1 x ice cube tray



Included accessories

2 x egg tray, 1 x ice cube tray

Optional accessories

KSZ10020 Bottle Rack



Series 6, built-in fridge with freezer section, 177.5 x 56 cm, flat hinge KIL82AF30G

The refrigerator with VitaFresh plus Box and TouchControl: very efficient - keeps your food fresher for longer.

Performance and Consumption

- Energy Efficiency Class: A++
- Energy Efficiency Class: A++ kWh/yr: 0.572 kWh
- Total net capacity: 286 litres
- Net fridge capacity: 252 litres
- Noise level dB(A) re 1 pW: 36

Design features

- Right hinged door, reversible door
- Bright interior LED fridge light
- Electronic LED display
- 1 compressor

Food freshness system

- FreshSense - Constant temperature control by intelligent sensor technology

Key features - Fridge section

- 5 removable safety glass shelves of which 4 are easy pull out
- 5 door trays, including 1x dairy compartment
- VitaFresh Plus container on telescopic rails and humidity control for prolonged food storage,
- 1 MultiBox drawer on telescopic rails - Transparent drawer with a corrugated bottom, ideal for storing fruits and vegetables.
- 2 removable door storage compartments.
- Bright interior LED fridge light

Key features - Freezer section

- 1 hinged freezer compartment
- Manual defrost freezer
- 4 star freezer rating
- **** freezer (-18°C and below)
- Freezing capacity in 24 hours: 3 kg
- Maximum freezer storage time in power failure: 22 hours

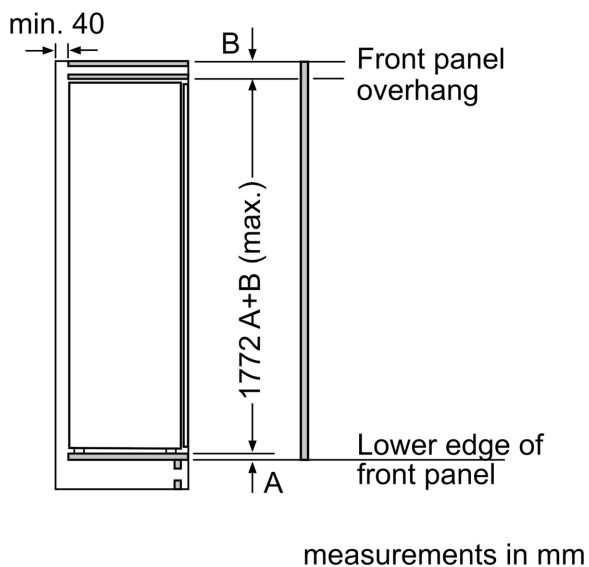
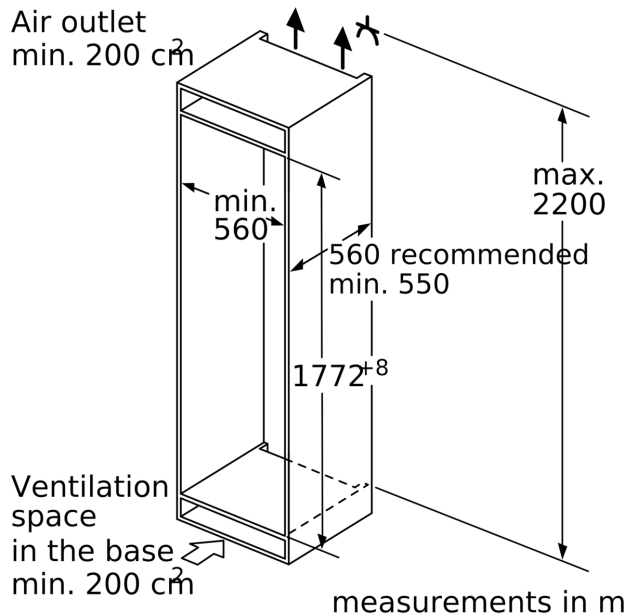
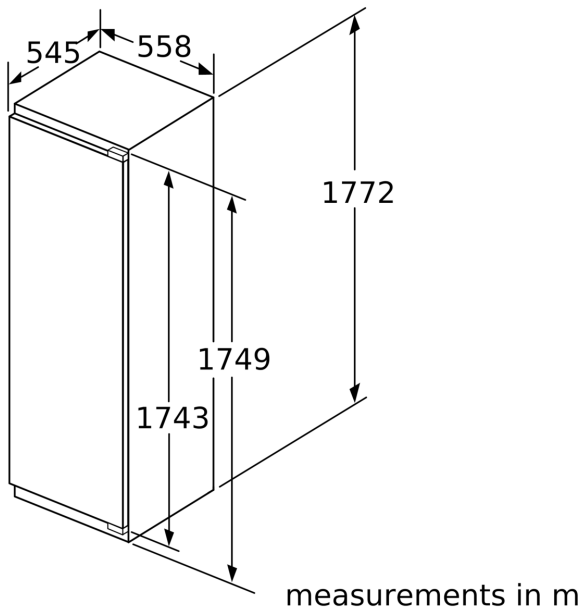
Functions

- Optical and acoustical door open warning

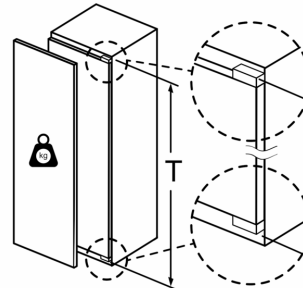
Dimension and installation

- Climate class SN-ST (suitable for ambient temperatures between 10 to 38°C)
- Connection value 90 W
- Dimensions: 177.2 cm H x 55.8 cm W x 54.5 cm D
- Niche Dimensions: 177.5 cm H x 56 cm W x 55 cm D

Series 6, built-in fridge with freezer section, 177.5 x 56 cm, flat hinge KIL82AF30G



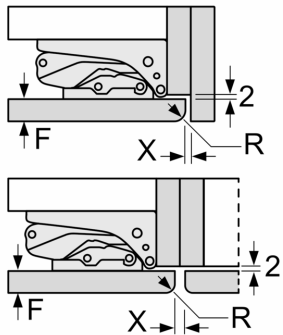
Maximal permissible weight of the unit fronts



Fitted kitchen unit doors that exceed the permissible weight may cause damage and result in functional impairment of the hinges.

T: Includes height of appliance door Hinges in mm:	undamped hinge, Door in kg:	damped hinge, Door in kg:
1500-1750	22	22

measurements in mm
Recommended gap dimensions for flat hinges



	F	R	X
16-19	0-3	2.5	
	20	0-1	3
21	2-3	2.5	
	21	0-1	3
22	2-3	2.5	
	22	0	4
		1	3.5
		2-3	3

The gap dimensions recommended in the table must be adhered to in order to ensure that appliance doors do not collide with anything when they are opened, and to avoid causing damage to kitchen units.