

**Series 8, built-in fridge-freezer with freezer at bottom, 177.2 x 55.8 cm, flat hinge
KIF86PFE0**



Optional accessories

- KSZ10020 Bottle Rack
- KSZGGM00 Butter box

Built-in bottom freezer combination with VitaFresh pro: thanks to ideal storage conditions your food stays vitamin-rich and fresh up to 3 times longer.

- **VitaFresh pro:** keeps food fresh for longer thanks to optimal climate control and +0°C technology.
- **LED lighting - with soft start, lasts for the lifetime of the appliance.**
- **VarioZone:** more flexibility due to variable-use glass shelves and drawers in the freezer compartment.
- **Big Box drawer:** for stacking storage containers or for large frozen food items.
- **Vario Shelf:** space for bottles and bowls with sectioned glass shelves that can be separated and slid underneath.

Technical Data

Energy Efficiency Class:	E
Average annual energy consumption in kilowatt hour per year (kWh/a):	252 kWh/annum
Sum of volume of frozen compartments:	67 l
Sum of volume of chill compartments:	156 l
Airborne acoustical noise emissions :	36 dB(A) re 1 pW
Airborne acoustical noise emission class:	C
Built-in / Free-standing:	Built-in
Door panel options:	Not possible
Height:	1772 mm
Width of the appliance:	558 mm
Depth:	545 mm
Min. required niche size for installation (HxWxD): 1775.0 x 560 x 550 mm	
Net weight:	70.1 kg
Connection rating:	90 W
Fuse protection:	10 A
Door hinge:	Right reversible
Voltage:	220-240 V
Frequency:	50 Hz
Length electrical supply cord:	230.0 cm
Number of compressors:	1
Number of independent cooling systems:	2
Interior ventilator:	No
Reversible Door Hinge:	Yes
Number of Adjustable Shelves in fridge compartment:	2
Shelves for Bottles:	No
Frost free system:	Fridge and freezer
Installation typology:	Integrated



Series 8, built-in fridge-freezer with freezer at bottom, 177.2 x 55.8 cm, flat hinge KIF86PFE0

- Noise Level : 36 dB
- Temperature rise time : EU19_Temperature rise time_D: 8 H

Built-in bottom freezer combination with VitaFresh pro: thanks to ideal storage conditions your food stays vitamin-rich and fresh up to 3 times longer.

- easy Installation

Functions

- Electronic control for fridge and freezer with LED display

Design features

- NoFrost freezer, never have to defrost ever again
- Two separate cooling circuits allow independent temperature control and prevents the transference of humidity between the fridge and freezer cavity
- Optical and acoustical door open warning

Food freshness system

- FreshSense - Constant temperature control by intelligent sensor technology
- 1 VitaFresh pro 0°C drawer with humidity control - fruits and vegetables stay vitamin-rich and fresher for longer.
- Vario Zone - removable safety glass shelves for extra space!

Key features - Fridge section

- Bright interior LED fridge light
- Holiday mode - saves energy when you're away a longer period of time
- SuperCool function
- 2 door trays, including 1x dairy compartment
- 3 safety glass shelves (2 height adjustable)

Key features - Freezer section

- 3 transparent freezer drawers, including 1 BigBox
- 3 x egg tray, 1 x ice cube tray, .
- Based on the results of the standard 24-hour test. Actual consumption depends on usage/position of the appliance.

Dimension and installation

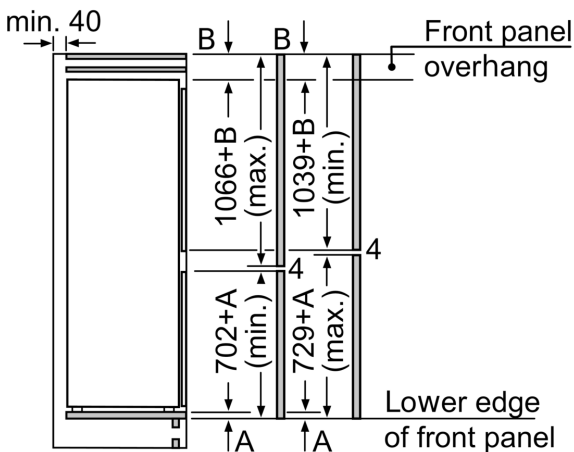
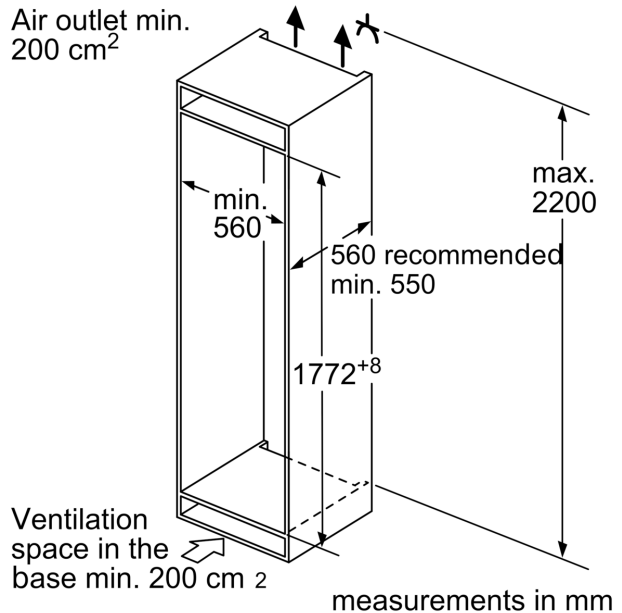
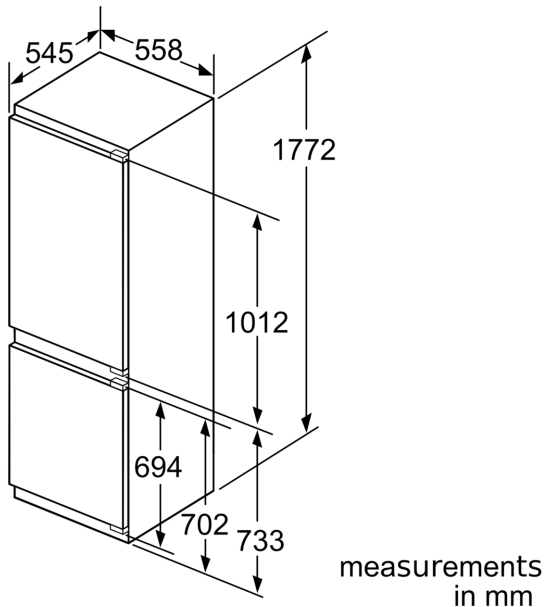
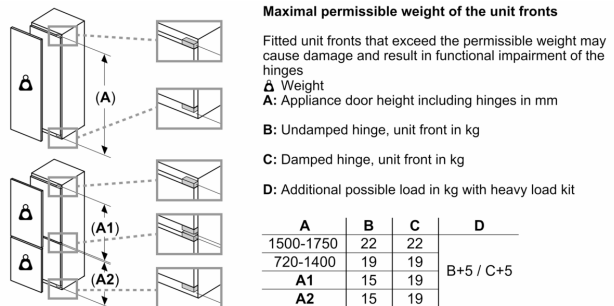
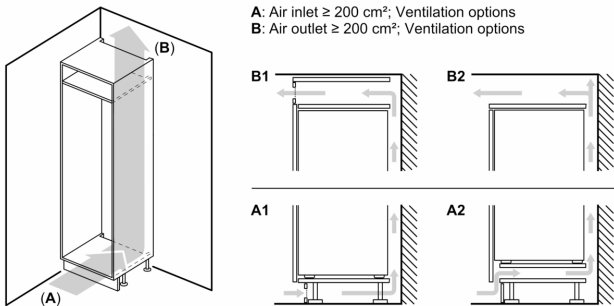
- Niche Dimensions: 177.5 cm H x 56 cm W x 55 cm D
- Dimensions: 177.2 cm H x 55.8 cm W x 54.5 cm D
- Right hinged door, reversible door
- Connection value 90 W
- 220 - 240 V

Additional features

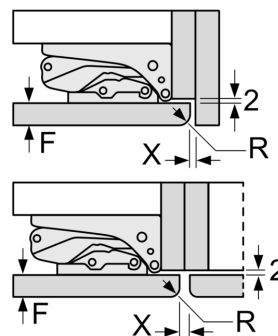
Performance and Consumption

- EU19_EEK_D: E
- Total Volume : 223 l
- Net Fridge Volume : 156 l
- Net Freezer Volume : 67 l
- Freezing capacity 24h : 7 kg
- Annual Energy Consumption: 252 kWh/a
- Climate Class: SN-ST

Series 8, built-in fridge-freezer with freezer at bottom, 177.2 x 55.8 cm, flat hinge KIF86PFE0



measurements in mm
 Recommended gap dimensions for flat hinges



	F	R	X
16-19	0-3	2.5	
20	0-1	3	
	2-3	2.5	
21	0-1	3	
	2-3	2.5	
22	0	4	
	1	3.5	
	2-3	3	

The specified unit door dimensions are valid for a door gap of 4 mm.
 measurements in mm

The gap dimensions recommended in the table must be adhered to in order to ensure that appliance doors do not collide with anything when they are opened, and to avoid causing damage to kitchen units.