

N 90, BUILT-IN FRIDGE-FREEZER WITH FREEZER  
AT BOTTOM, 177.2 X 55.8 CM, SOFT CLOSE FLAT  
HINGE  
KI8865DE0



The built-in fridge-freezer with FreshSafe 3 and NoFrost keeps food fresher for longer and builds no ice in the freezer.

- ✓ Fresh Safe 3 – Climate-controlled drawers for optimal fresh food storage.
- ✓ No Frost – No more defrosting your freezer.
- ✓ Adjustable Glass Shelves – Height adjustable shelves create the space you need for inspiring dishes in your fridge
- ✓ Our safety glass shelves happily shoulder generous loads of delicacies in your fridge
- ✓ Vario Zone – Personalise your drawers with various loading options to find the perfect fit.

Energy Efficiency Class: .....	E
Average annual energy consumption in kilowatt hour per year (kWh/a): .....	252 kWh/annum
Sum of volume of frozen compartments: .....	67 l
Sum of volume of chill compartments: .....	156 l
Airborne acoustical noise emissions : .....	36 dB(A) re 1pW
Airborne acoustical noise emission class: .....	C
Built-in / Free-standing: .....	Built-in
Door panel options: .....	Not possible
Height: .....	1772 mm
Width of the appliance: .....	558 mm
Depth: .....	545 mm
Min. required niche size for installation (HxWxD): ..	1775.0 x 560 x 550 mm
Net weight: .....	71.0 kg
Connection Rating: .....	90 W
Fuse protection: .....	10 A
Door hinge: .....	Right reversible
Voltage: .....	220-240 V
Frequency: .....	50 Hz
Length electrical supply cord: .....	230.0 cm
Number of compressors: .....	1
Number of independent cooling systems: .....	2
Interior ventilator: .....	No
Reversible Door Hinge: .....	Yes
Number of Adjustable Shelves in fridge compartment: .....	2
Shelves for Bottles: .....	No
Frost free system: .....	Fridge and freezer
Installation typology: .....	Full-integrated



*N 90, BUILT-IN FRIDGE-FREEZER WITH FREEZER  
AT BOTTOM, 177.2 X 55.8 CM, SOFT CLOSE FLAT  
HINGE  
KI8865DE0*

#### Functions

- LED with Soft Start

#### Design features

- noFrost freezer, never have to defrost ever again
- Home Connect: Remote Monitoring and Control
- Electronic controls for fridge and freezer
- vitaControl - constant temperature by intelligent sensor technology  
- Constant temperature control by intelligent sensor technology
- Automatic defrost fridge
- Two separate cooling circuits allow independent temperature control and prevents the transference of humidity between the fridge and freezer cavity
- SuperCool function with automatic deactivation
- SuperFreeze functions with automatic deactivation
- Holiday mode - saves energy when you're away a longer period of time
- Acoustic door open warning indicator
- Freezer malfunction warning signal: optical and acoustical

#### Design features

- 1 safety glass shelves, of which 2 are height adjustable
- BottleFlex Shelf
- 3 door trays, including 0x dairy compartment

#### Freshness System

- Capacity in 0° C section: 55 l
- 1 FreshSafe 3 0°C drawer with humidity control for optimal freshness; food stays fresh for longer due to two climate zones.
- 1 FreshSafe 3 0°C drawer for optimal freshness; food stays fresh for up to three times longer due to two climate zones.

#### Food freshness system

- Removeable safety glass shelves in freezer
- 3 transparent freezer drawers, 1 bigbox

#### Dimension and installation

- Dimensions: 177.2 cm H x 55.8 cm W x 54.5 cm D
- Niche Dimensions: 177.5 cm H x 56 cm W x 55 cm D

#### Key features - Fridge section

- Right hinged door, reversible
- Connection value 90 W
- 220 - 240 V

#### Key features - Freezer section

- KI8865DE0

#### Included accessories

#### Country Specific Options

- Based on the results of the standard 24-hour test. Actual consumption depends on usage/position of the appliance.

#### Design features

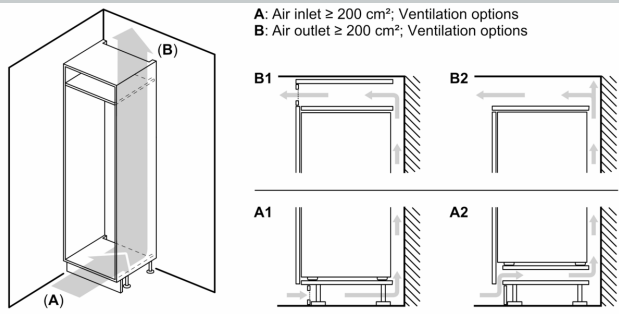
#### Dimension and installation

#### Additional features

#### Performance and Consumption

- EU19\_EEK\_D: E
- Total Volume : 223 l
- Net Fridge Volume : 156 l
- Net Freezer Volume : 67 l
- Freezing capacity 24h : 7 kg
- Annual Energy Consumption: 252 kWh/a
- Climate Class: SN-ST
- Noise Level : 36 dB
- Temperature rise time : EU19\_Temperature rise time\_D: 8 H

N 90, BUILT-IN FRIDGE-FREEZER WITH FREEZER AT BOTTOM, 177.2 X 55.8 CM, SOFT CLOSE FLAT HINGE  
KI8865DE0



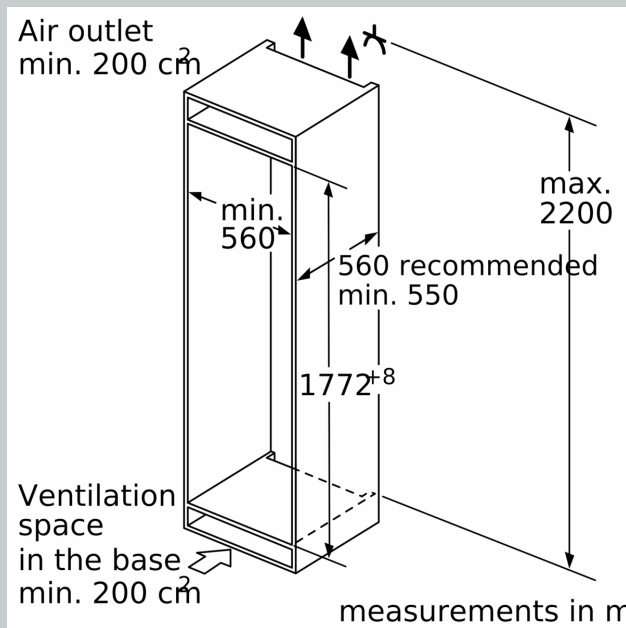
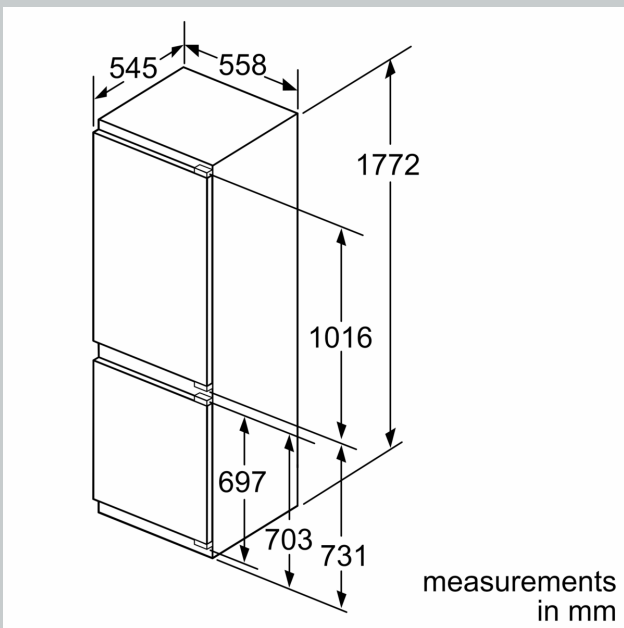
**Maximal permissible weight of the unit fronts**

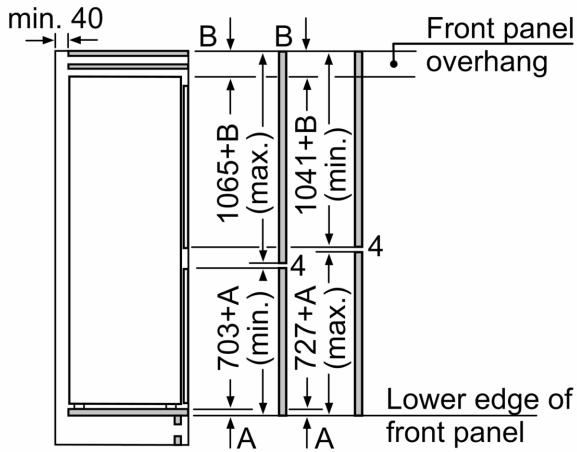
Fitted unit fronts that exceed the permissible weight may cause damage and result in functional impairment of the hinges

$\Delta$  Weight  
A: Appliance door height including hinges in mm

B: Undamped hinge, unit front in kg  
C: Damped hinge, unit front in kg  
D: Additional possible load in kg with heavy load kit

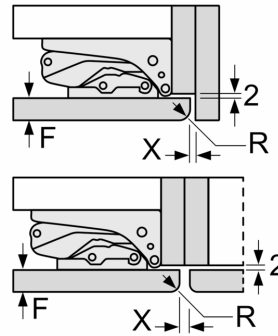
A	B	C	D
1500-1750	22	22	B+5 / C+5
720-1400	19	19	
A1	15	19	
A2	15	19	





The specified unit door dimensions are valid for a door gap of 4 mm.  
 measurements in mm

measurements in mm  
 Recommended gap dimensions for flat hinges



F	R	X
16-19	0-3	2.5
20	0-1	3
	2-3	2.5
21	0-1	3
	2-3	2.5
22	0	4
	1	3.5
	2-3	3

The gap dimensions recommended in the table must be adhered to in order to ensure that appliance doors do not collide with anything when they are opened, and to avoid causing damage to kitchen units.