



**iQ500, built-in fridge-freezer with  
freezer at bottom, 177.2 x 55.8 cm, flat  
hinge  
KI87SAFE0G**



built-in fridge freezer, with lowFrost technology and hyperFresh plus Box to keep produce fresh up to twice as long.

- ✓ The hyperFresh plus Box with adjustable humidity keeps fruit and vegetables fresh for longer.
- ✓ Less frost formation and faster defrosting with lowFrost.
- ✓ LED light – Ample, even lighting helps you check what's in your fridge faster.
- ✓ The bigBox offers plenty of space to store and stack large frozen items efficiently.
- ✓ The easyAccess glass shelves make loading easier and give you a better view of your food items.

#### Features

##### Technical Data

Energy Efficiency Class: E  
 Average annual energy consumption in kilowatt hour per year (kWh/a): 207 kWh/annum  
 Sum of volume of frozen compartments: 63 l  
 Sum of volume of chill compartments: 209 l  
 Airborne acoustical noise emissions : 36 dB(A) re 1 pW  
 Airborne acoustical noise emission class: C  
 Built-in / Free-standing: Built-in  
 Door panel options: Not possible  
 Width of the appliance: 558 mm  
 Depth: 545 mm  
 Required niche size for installation (HxWxD): 1775.0 x 560 x 550 mm  
 Net weight: 62.5 kg  
 Connection Rating: 90 W  
 Fuse protection: 13 A  
 Door hinge: Right reversible  
 Voltage: 220-240 V  
 Frequency: 50 Hz  
 Approval certificates: CE, G-Mark, VDE  
 Length electrical supply cord: 230 cm  
 Storage Period in Event of Power Failure (h): 12 h  
 Number of compressors: 1  
 Number of independent cooling systems: 2  
 Interior ventilator: No  
 Reversible Door Hinge: Yes  
 Number of Adjustable Shelves in fridge compartment: 4  
 Shelves for Bottles: No  
 Frost free system: No  
 Installation typology: Full-integrated  
 Type of hinge: Flush-folding

#### Included accessories

3 x egg tray  
 1 x ice cube tray  
 1 x bottle holder in door tray





## iQ500, built-in fridge-freezer with freezer at bottom, 177.2 x 55.8 cm, flat hinge KI87SAFE0G

### Features

#### Functions

- Bright interior LED fridge light

#### Design features

- LED display for fridge and freezer
- freshSense - constant temperature by intelligent sensor technology
  - Constant temperature control by intelligent sensor technology
- Twin evaporators allows independent temperature control and ensures there is no transference of humidity between the fridge and freezer cavity.
- superCool function with automatic deactivation
- SuperFreeze with Manual/automatic activation
- Holiday mode
- Acoustic open door warning system
- Freezer malfunction warning signal: Optical and acoustical

#### Design features

- 5 safety glass shelves (4 height adjustable)
- 5 door trays, including 1x dairy compartment

#### Freshness System

- 1 hyperFresh plus box with adjustable humidity - keeps fruit and vegetables fresher for longer.
- 

#### Food freshness system

- lowFrost - less ice creation and therefore quicker defrosting
- Removable safety glass shelves for extra space
- 2 transparent freezer drawers, 1 bigBox

#### Dimension and installation

- Dimensions: 177.2 cm H x 55.8 cm W x 54.5 cm D
- Niche Dimensions: 177.5 cm H x 56 cm W x 55 cm D

#### Key features - Fridge section

- Right hinged door, door reversible
- Connection value 90 W
- 220 - 240 V
- Transportation handles

#### Key features - Freezer section

- KI87SAFE0G
- bottle holder in door tray

#### Value ad

- lowFrost - less ice creation and therefore quicker defrosting - less ice build up, faster defrosting
- 1 hyperFresh plus box with adjustable humidity - keeps fruit and vegetables fresher for longer.
- 
- Vario shelf - useful storage when required
- Easy access shelf - easy access and everything in sight
- touch control - enduring elegance - perfectly under control

#### Country Specific Options

- Based on the results of the standard 24-hour test. Actual consumption depends on usage/position of the appliance.

#### Design features

#### Dimension and installation

#### Additional features

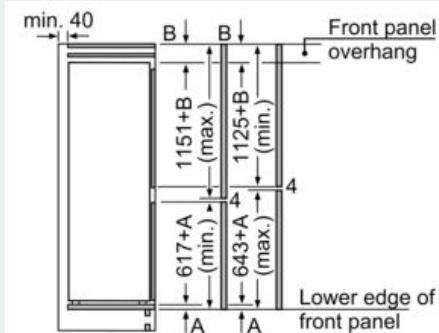
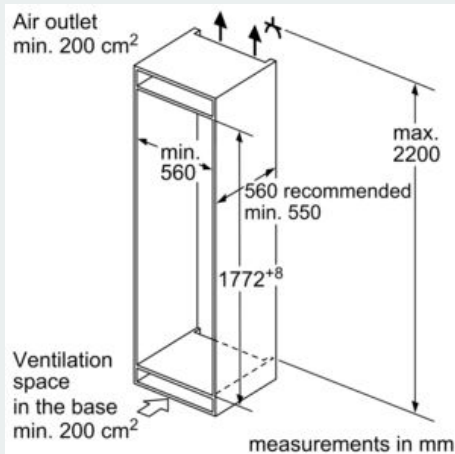
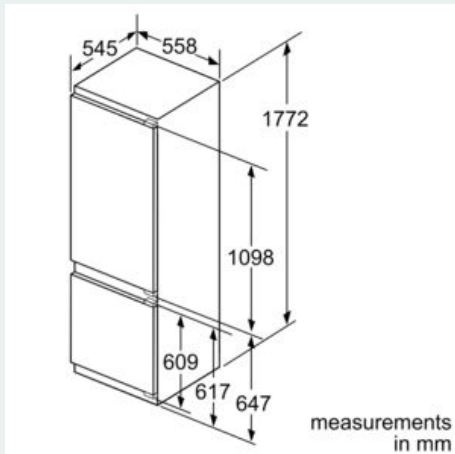
#### Performance and Consumption

- EU19\_EEK\_D: E
- Total Volume : 272 l
- Net Fridge Volume : 209 l
- Net Freezer Volume : 63 l
- Freezing capacity 24h : 5 kg
- Annual Energy Consumption: 207 kWh/a
- Climate Class: SN-ST
- EU19\_Fast freezer facility\_D: yes
- Noise Level : 36 dB
- Temperature rise time : EU19\_Temperature rise time\_D: 12 H



**iQ500, built-in fridge-freezer with  
freezer at bottom, 177.2 x 55.8 cm, flat  
hinge  
KI87SAFE0G**

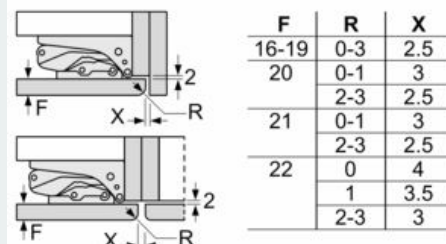
Dimensioned drawings



The specified unit door dimensions are valid for a door gap of 4 mm.  
measurements in mm

measurements in mm

Recommended gap dimensions for flat hinges



The gap dimensions recommended in the table must be adhered to in order to ensure that appliance doors do not collide with anything when they are opened, and to avoid causing damage to kitchen units.

