

iQ300, built-in fridge-freezer with freezer at bottom, 177.2 x 54.1 cm KI86VVF30G



A++



built-in-fridge-freezer with energy efficiency class A++ and 3 practical freezer Fresh Boxes

- ✓ Less frost formation and faster defrosting with lowFrost.
- ✓ The LED lights up the interior brightly and evenly.
- ✓ The fruit and vegetables stay crispy in the Fresh Box with wavy bottom.
- ✓ The bigBox offers plenty of space to store and stack large frozen items efficiently.
- ✓ The superFreezing button reduces the temperature for a set time, to quickly freeze newly added food items.

Features

Technical Data

Built-in / Free-standing : Built-in
 Door panel options : Not possible
 Width of the appliance : 541
 Depth (mm) : 545
 Required niche size for installation (HxWxD) : 1775.0 x 560 x 550
 Net weight (kg) : 64.407
 Connection Rating (W) : 90
 Current (A) : 13
 Door hinge : Right reversible
 Voltage (V) : 220-240
 Frequency (Hz) : 50
 Approval certificates : CE, VDE
 Length electrical supply cord (cm) : 230
 Storage Period in Event of Power Failure (h) : 24
 Number of compressors : 1
 Number of independent cooling systems : 1
 Interior ventilator : No
 Reversible Door Hinge : Yes
 Number of Adjustable Shelves in fridge compartment : 3
 Shelves for Bottles : No
 EAN code : 4242003720813
 Brand : Siemens
 Product name / Commercial code : KI86VVF30G
 Energy consumption annual (kWh/annum) - NEW (2010/30/EC) : 231.00
 Refrigerator Net capacity (l) - NEW (2010/30/EC) : 191
 Freezer Net capacity (l) - NEW (2010/30/EC) : 76
 Frost free system : No
 Freezing capacity (kg/24h) - NEW (2010/30/EC) : 4
 Climate class : SN-T
 Noise level (dB(A) re 1 pW) : 38
 Installation typology : Full-integrated

Included accessories

- 2 x cold accumulator
- 2 x egg tray
- 1 x ice cube tray



4 242003 720813

iQ300, built-in fridge-freezer with freezer at bottom, 177.2 x 54.1 cm KI86VVF30G

Features

Performance and Consumption

- Energy Efficiency Class: A++
- Energy Efficiency Class: A++ kWh/yr: 0.631 kWh
- Total net capacity: 267 litres
- Net fridge capacity: 191 litres
- Net freezer capacity: 76 litres
- Noise level dB(A) re 1 pW: 38

Design features

- Manual defrost freezer
- Fixed hinge, softClosing door: No
- Right hinged door, door reversible
- Electronic control (LED chain)
- Removable magnetic door seals - easy to clean

Food freshness system

- 1 vegetable/salad container
-
- freshSense - constant temperature by intelligent sensor technology
- Constant temperature control by intelligent sensor technology
- 1 compressor/1 cooling circuit

Key features - Fridge section

- Automatic defrost in fridge section
- Bright interior LED fridge light
-
- 4 safety glass shelves in fridge compartment of which 3 are height adjustable

Key features - Freezer section

- 4 star rating for freezer section
- 3 freezer drawers
- Freezing capacity in 24 hours: 3.5 kg
- Maximum freezer storage time in power failure: 24 hours
- 2 x cold accumulator, 3 x egg tray, 2 x ice cube tray

Functions

- superFreeze function with automatic deactivation

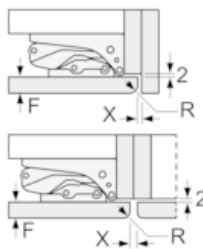
Dimension and installation

- easy Installation
- Connection value 90 W
- Dimensions: 177.2 cm H x 54.1 cm W x 54.5 cm D
- Niche Dimensions: 177.5 cm H x 56 cm W x 55 cm D
- Climate class SN-T (suitable for ambient temperatures between 10 to 43°C)

**iQ300, built-in fridge-freezer with freezer at bottom, 177.2 x 54.1 cm
KI86VVF30G**

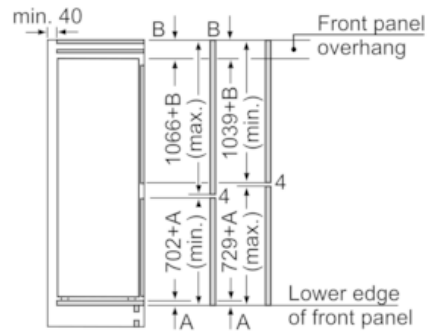
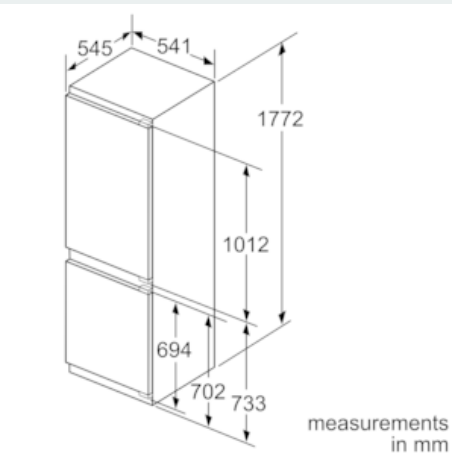
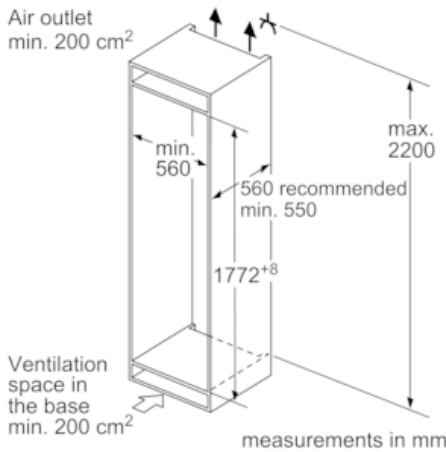
Dimensioned drawings

measurements in mm
Recommended gap dimensions for flat hinges



| F | R | X |
|-------|-----|-----|
| 16-19 | 0-3 | 2.5 |
| 20 | 0-1 | 3 |
| | 2-3 | 2.5 |
| 21 | 0-1 | 3 |
| | 2-3 | 2.5 |
| 22 | 0 | 4 |
| | 1 | 3.5 |
| | 2-3 | 3 |

The gap dimensions recommended in the table must be adhered to in order to ensure that appliance doors do not collide with anything when they are opened, and to avoid causing damage to kitchen units.



The specified unit door dimensions are valid for a door gap of 4 mm.
measurements in mm