

## iQ500, built-in fridge-freezer with freezer at bottom, 177.2 x 55.8 cm KI86SAF30G



A++



built-in fridge freezer, with lowFrost technology and hyperFresh plus Box to keep produce fresh up to twice as long.

- ✓ The hyperFresh plus Box with adjustable humidity keeps fruit and vegetables fresh for longer.
- ✓ Less frost formation and faster defrosting with lowFrost.
- ✓ The LED lights up the interior brightly and evenly.
- ✓ The bigBox offers plenty of space to store and stack large frozen items efficiently.
- ✓ The easyAccess glass shelves make loading easier and give you a better view of your food items.

### Features

#### Technical Data

Built-in / Free-standing : Built-in  
 Door panel options : Not possible  
 Width of the appliance : 558  
 Depth (mm) : 545  
 Required niche size for installation (HxWxD) : 1775.0 x 560 x 550  
 Net weight (kg) : 69.237  
 Connection Rating (W) : 90  
 Current (A) : 13  
 Door hinge : Right reversible  
 Voltage (V) : 220-240  
 Frequency (Hz) : 50  
 Approval certificates : CE, VDE  
 Length electrical supply cord (cm) : 230  
 Storage Period in Event of Power Failure (h) : 32  
 Number of compressors : 1  
 Number of independent cooling systems : 2  
 Interior ventilator : No  
 Reversible Door Hinge : Yes  
 Number of Adjustable Shelves in fridge compartment : 4  
 Shelves for Bottles : No  
 EAN code : 4242003613580  
 Brand : Siemens  
 Product name / Commercial code : KI86SAF30G  
 Energy consumption annual (kWh/annum) - NEW (2010/30/EC) : 218.00  
 Refrigerator Net capacity (l) - NEW (2010/30/EC) : 191  
 Freezer Net capacity (l) - NEW (2010/30/EC) : 74  
 Frost free system : No  
 Freezing capacity (kg/24h) - NEW (2010/30/EC) : 7  
 Climate class : SN-ST  
 Noise level (dB(A) re 1 pW) : 36  
 Installation typology : Full-integrated

#### Included accessories

- 2 x cold accumulator
- 2 x egg tray
- 1 x ice cube tray



4 242003 613580

## iQ500, built-in fridge-freezer with freezer at bottom, 177.2 x 55.8 cm KI86SAF30G

### Features

#### Performance and Consumption

- Energy Efficiency Class: A++
- Total net capacity: 265 litres
- Net fridge capacity: 191 litres
- Net freezer capacity: 74 litres
- Noise level dB(A) re 1 pW: 36

#### Design features

- Manual defrost freezer
- Fixed hinge, softClosing door: No
- Right hinged door, door reversible
- LED display for fridge and freezer
- Removable magnetic door seals - easy to clean

#### Food freshness system

- 1 hyperFresh plus box with adjustable humidity - keeps fruit and vegetables fresher for longer.
- 
- freshSense - constant temperature by intelligent sensor technology - Constant temperature control by intelligent sensor technology
- Twin evaporators allows independent temperature control and ensures there is no transference of humidity between the fridge and freezer cavity.

#### Key features - Fridge section

- Automatic defrost in fridge section
- Bright interior LED fridge light
- 
- 5 safety glass shelves in fridge compartment of which 4 are height adjustable
- superCool function with automatic deactivation

#### Key features - Freezer section

- 4 star rating for freezer section
- 3 freezer drawers
- Freezing capacity in 24 hours: 7 kg
- Maximum freezer storage time in power failure: 32 hours

#### Functions

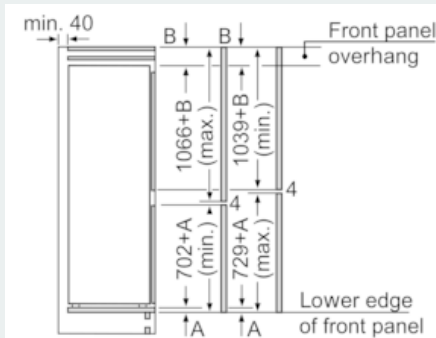
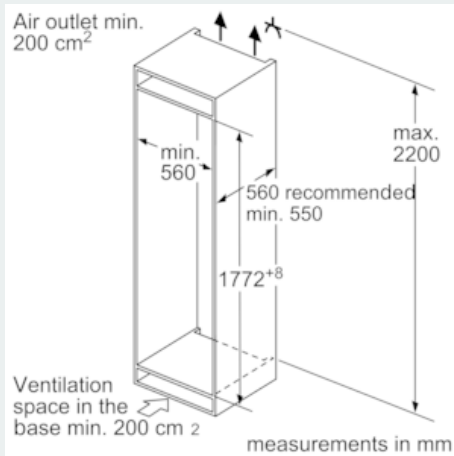
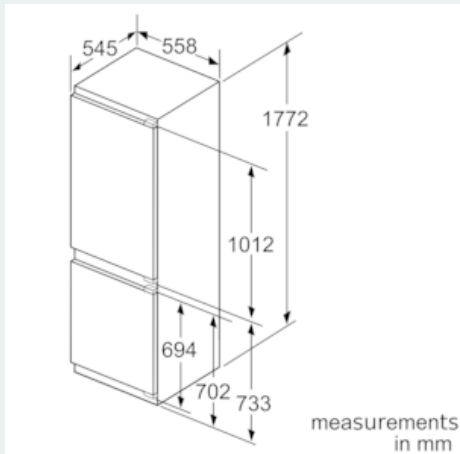
- Freezer malfunction warning signal: Optical and acoustical
- superFreeze function with automatic deactivation
- Acoustic open door warning system

#### Dimension and installation

- Connection value 90 W
- Dimensions: 177.2 cm H x 55.8 cm W x 54.5 cm D
- Niche Dimensions: 177.5 cm H x 56 cm W x 55 cm D
- Climate class SN-ST (suitable for ambient temperatures between 10 to 38°C)
- Based on the results of the standard 24-hour test. Actual consumption depends on usage/position of the appliance.

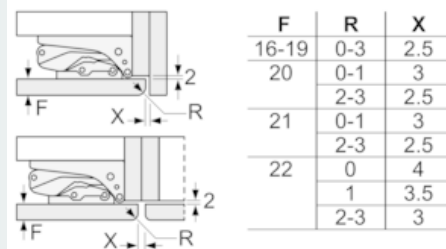
**iQ500, built-in fridge-freezer with freezer at bottom, 177.2 x 55.8 cm  
KI86SAF30G**

Dimensioned drawings



The specified unit door dimensions are valid for a door gap of 4 mm.  
measurements in mm

measurements in mm  
Recommended gap dimensions for flat hinges



F	R	X
16-19	0-3	2.5
20	0-1	3
	2-3	2.5
21	0-1	3
	2-3	2.5
22	0	4
	1	3.5
	2-3	3

The gap dimensions recommended in the table must be adhered to in order to ensure that appliance doors do not collide with anything when they are opened, and to avoid causing damage to kitchen units.