

IQ300, built-in fridge-freezer with freezer at bottom, 177.2 x 54.1 cm, sliding hinge KI86NVSE0G



KSGGZM00 Butter box

Built-in fridge-freezer with hyperFresh system to keep food fresh for longer and thanks to noFrost no more ice to build up in the freezer.

- ✓ hyperFresh <0°> – More space for fruit and vegetables. Dedicated storage for fish and meat.
- ✓ noFrost – Never defrost your freezer again.
- ✓ autoAirflow – Ideal air circulation for even cooling at all levels, maintaining longer freshness.
- ✓ LED light – Even lighting throughout the inside of your fridge to keep everything in view.
- ✓ superFreezing – Quick-freeze even large amounts of food.

Energy Efficiency Class:	E
Average annual energy consumption in kilowatt hour per year (kWh/a):	234 kWh/annum
Sum of volume of frozen compartments:	76 l
Sum of volume of chill compartments:	184 l
Airborne acoustical noise emissions :	35 dB(A) re 1 pW
Airborne acoustical noise emission class:	B
Built-in / Free-standing:	Built-in
Door panel options:	Not possible
Height:	1772 mm
Width of the appliance:	541 mm
Dimensions:	548 mm
Min. required niche size for installation (HxWxD):	1775.0 x 560 x 550 mm
Weight:	52.2 kg
Fuse protection:	10 A
Door hinge:	Right reversible
Nominal power:	220-240 V
Frequency:	50 Hz
Length electrical supply cord:	230.0 cm
Number of compressors:	1
Number of independent cooling systems:	1
Interior ventilator:	No
Reversible Door Hinge:	Yes
Number of Adjustable Shelves in fridge compartment:	3
Shelves for Bottles:	Yes
Frost free system:	Fridge and freezer
Installation type:	Fully integrated



IQ300, built-in fridge-freezer with freezer at bottom, 177.2 x 54.1 cm, sliding hinge KI86NVSE0G

- EU19_EEK_D: E
- Total Volume : 260 l
- Net Fridge Volume : 184 l
- Net Freezer Volume : 76 l
- Freezing capacity 24h : 4 kg
- Annual Energy Consumption: 234 kWh/a
- Climate Class: SN-ST
- EU19_Fast freezer facility_D: yes
- Noise Level : 35 dB
- Temperature rise time : EU19_Temperature rise time_D: 10 H
- easy Installation

Performance and Consumption

Functions

- Bright interior LED fridge light

Design features

- Electronic control (LED chain)
- superCool function with automatic deactivation
- SuperFreeze with Manual/automatic activation
- Optical and acoustical door open warning system

Design features

- 4 safety glass shelves in fridge compartment of which 3 are height adjustable
- 3 door trays, including 0x dairy compartment
- 1 removable door storage compartments.
- 3 door bins

Freshness System

- 1 hyperFresh box with integrated humidity control

Food freshness system

- noFrost freezer, never have to defrost ever again
- 3 freezer drawers

Dimension and installation

- Dimensions: 177.2 cm H x 54.1 cm W x 54.8 cm D
- Niche Dimensions: 177.5 cm H x 56 cm W x 55 cm D

Key features - Fridge section

- Right hinged door, door reversible
- 220 - 240 V

Key features - Freezer section

- 3 x egg tray, 2 x ice cube tray

Country Specific Options

- Based on the results of the standard 24-hour test. Actual consumption depends on usage/position of the appliance.

Design features

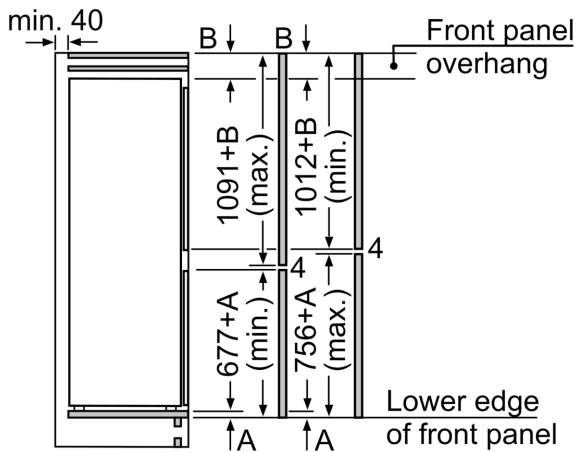
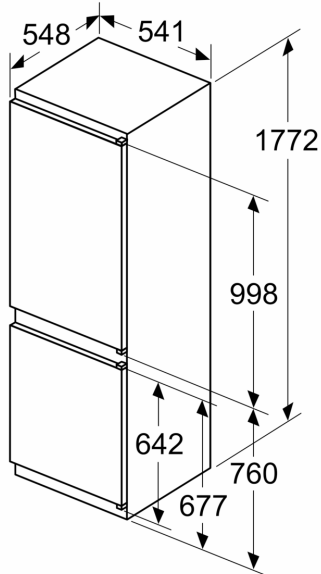
Dimension and installation

Additional features

- Net 4* compartment volume : 76 l

**IQ300, built-in fridge-freezer with
freezer at bottom, 177.2 x 54.1
cm, sliding hinge
KI86NVSE0G**

measurements in mm



The specified unit door dimensions are valid for a door gap of 4 mm.

measurements in mm

