



**iQ300, built-in fridge-freezer with  
freezer at bottom, 177.2 x 54.1 cm, flat  
hinge  
KI86NVFF0G**



- ✓ noFrost – Never defrost your freezer again.
- ✓ LED light – Ample, even lighting helps you check what's in your fridge faster.
- ✓ bigBox: Extra-large storage space to store frozen foods flexibly
- ✓ The fruit and vegetables stay crispy in the Fresh Box with wavy bottom.
- ✓ All freezer drawers and glass shelves can be removed easily. varioZone lets you organize the space flexibly.

#### Features

##### Technical Data

Energy Efficiency Class: F  
 Average annual energy consumption in kilowatt hour per year (kWh/a): 277 kWh/annum  
 Sum of volume of frozen compartments: 67 l  
 Sum of volume of chill compartments: 187 l  
 Airborne acoustical noise emissions : 39 dB(A) re 1 pW  
 Airborne acoustical noise emission class: C  
 Built-in / Free-standing: Built-in  
 Door panel options: Not possible  
 Width of the appliance: 541 mm  
 Depth: 545 mm  
 Required niche size for installation (HxWxD): 1775.0 x 560 x 550 mm  
 Net weight: 63.7 kg  
 Connection Rating: 90 W  
 Fuse protection: 13 A  
 Door hinge: Right reversible  
 Voltage: 220-240 V  
 Frequency: 50 Hz  
 Approval certificates: CE, VDE  
 Length electrical supply cord: 230 cm  
 Storage Period in Event of Power Failure (h): 8 h  
 Number of compressors: 1  
 Number of independent cooling systems: 1  
 Interior ventilator: Yes  
 Reversible Door Hinge: Yes  
 Number of Adjustable Shelves in fridge compartment: 3  
 Shelves for Bottles: No  
 Frost free system: Freezer  
 Installation typology: Full-integrated  
 Type of hinge: Flush-folding

#### Included accessories

3 x egg tray  
 1 x ice cube tray





## iQ300, built-in fridge-freezer with freezer at bottom, 177.2 x 54.1 cm, flat hinge KI86NVFF0G

### Features

- KI86NVFF0G
- coolEfficiency
- noFrost freezer, Built-in fridge freezer
- easy Installation

#### Functions

- Bright interior LED fridge light

#### Design features

- Electronic LED display
- freshSense - constant temperature by intelligent sensor technology  
- Constant temperature control by intelligent sensor technology
- 1 compressor/1 cooling circuit
- SuperFreeze with Manual/automatic activation
- Acoustic open door warning system

#### Design features

- 4 safety glass shelves in fridge compartment of which 3 are height adjustable

#### Freshness System

- 1 vegetable/salad container
- 

#### Food freshness system

- noFrost freezer, never have to defrost ever again
- Removable safety glass shelves for extra space
- 3 transparent freezer drawers, 1 bigBox

#### Dimension and installation

- Dimensions: 177.2 cm H x 54.1 cm W x 54.5 cm D
- Niche Dimensions: 177.5 cm H x 56 cm W x 55 cm D

#### Key features - Fridge section

- Right hinged door, door reversible
- Connection value 90 W
- 220 - 240 V

#### Key features - Freezer section

- 2 x ice cube tray, 3 x egg tray

#### Country Specific Options

- Based on the results of the standard 24-hour test. Actual consumption depends on usage/position of the appliance.

#### Design features

#### Dimension and installation

#### Additional features

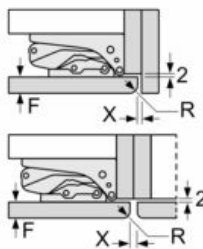
#### Performance and Consumption

- EU19\_EEK\_D: F
- Total Volume : 254 l
- Net Fridge Volume : 187 l
- Net Freezer Volume : 67 l
- Freezing capacity 24h : 6 kg
- Annual Energy Consumption: 277 kWh/a
- Climate Class: SN-ST
- EU19\_Fast freezer facility\_D: yes
- Noise Level : 39 dB
- Temperature rise time : EU19\_Temperature rise time\_D: 8.5 H

**iQ300, built-in fridge-freezer with freezer at bottom, 177.2 x 54.1 cm, flat hinge  
KI86NVFF0G**

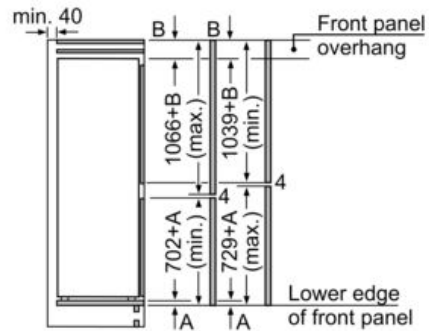
Dimensioned drawings

measurements in mm  
Recommended gap dimensions for flat hinges

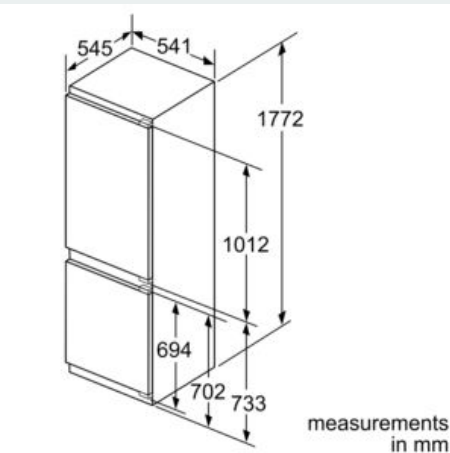
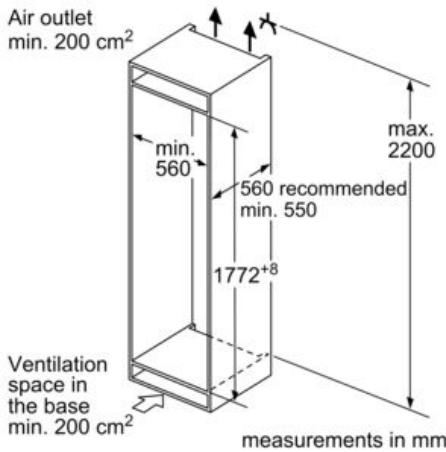


F	R	X
16-19	0-3	2.5
20	0-1	3
	2-3	2.5
21	0-1	3
	2-3	2.5
22	0	4
	1	3.5
	2-3	3

The gap dimensions recommended in the table must be adhered to in order to ensure that appliance doors do not collide with anything when they are opened, and to avoid causing damage to kitchen units.



The specified unit door dimensions are valid for a door gap of 4 mm.  
measurements in mm



**Maximal permissible weight of the unit fronts**  
Fitted unit fronts that exceed the permissible weight may cause damage and result in functional impairment of the hinges.

Δ Weight  
A Appliance door height including hinges in mm  
B Undamped hinge, unit front in kg  
C Damped hinge, unit front in kg

A	B	C
1500-1750	22	22
720-1400	19	19
A1	15	19
A2	15	19