

**IQ300, built-in fridge-freezer with freezer at bottom, 177.2 x 54.1 cm, flat hinge KI86NHFE0**



KSGGZM00 Butter box

Built-in no frost fridge-freezer with hyperFresh system to keep food fresh for longer and home connect for control and monitor your fridge from everywhere.

- ✓ noFrost – Never defrost your freezer again.
- ✓ safetyGlass shelves – Extra strong and easy to clean.
- ✓ autoAirflow – Ideal air circulation for even cooling at all levels, maintaining longer freshness.
- ✓ superFreezing – Quick-freeze even large amounts of food.
- ✓ LED light – Even lighting throughout the inside of your fridge to keep everything in view.

**Energy Efficiency Class: E**

Energy Efficiency Class: .....	E
Average annual energy consumption in kilowatt hour per year (kWh/a): .....	234 kWh/annum
Sum of volume of frozen compartments: .....	76 l
Sum of volume of chill compartments: .....	184 l
Airborne acoustical noise emissions : .....	35 dB(A) re 1 pW
Airborne acoustical noise emission class: .....	B
Built-in / Free-standing: .....	Built-in
Door panel options: .....	Possible but accessory
Height: .....	1772 mm
Width of the appliance: .....	541 mm
Dimensions: .....	548 mm
Min. required niche size for installation (HxWxD): .....	1775.0 x 560 x 550 mm
Weight: .....	54.6 kg
Fuse protection: .....	10 A
Door hinge: .....	Right reversible
Nominal power: .....	220-240 V
Frequency: .....	50 Hz
Length electrical supply cord: .....	230.0 cm
Number of compressors: .....	1
Number of independent cooling systems: .....	1
Interior ventilator: .....	No
Reversible Door Hinge: .....	Yes
Number of Adjustable Shelves in fridge compartment: .....	3
Shelves for Bottles: .....	Yes
Frost free system: .....	Fridge and freezer
Installation type: .....	Fully integrated



## IQ300, built-in fridge-freezer with freezer at bottom, 177.2 x 54.1 cm, flat hinge KI86NHFE0

### Performance and Consumption

- EU19\_EEK\_D: E
- Total Volume : 260 l
- Net Fridge Volume : 184 l
- Net Freezer Volume : 76 l
- Freezing capacity 24h : 4 kg
- Annual Energy Consumption: 234 kWh/a
- Climate Class: SN-ST
- EU19\_Fast freezer facility\_D: yes
- Noise Level : 35 dB
- Temperature rise time : EU19\_Temperature rise time\_D: 10 H
- easy Installation

### Functions

- Home Connect: iService Remote, Remote Monitoring and Control with Wi-Fi connectivity

### Design features

- Bright interior LED fridge light
- Electronic control (LED chain)
- superFreeze function with automatic deactivation
- Optical and acoustical door open warning system

### Design features

- 4 safety glass shelves in fridge compartment of which 3 are height adjustable
- 3 door trays, including 0x dairy compartment
- 1 removable door storage compartments.
- 3 door bins

### Freshness System

- 1 hyperFresh box with integrated humidity control

### Food freshness system

- noFrost freezer, never have to defrost ever again
- 3 freezer drawers

### Dimension and installation

- Dimensions: 177.2 cm H x 54.1 cm W x 54.8 cm D
- Niche Dimensions: 177.5 cm H x 56 cm W x 55 cm D

### Key features - Fridge section

- Right hinged door, door reversible
- 220 - 240 V

### Key features - Freezer section

- 3 x egg tray, 2 x ice cube tray

### Country Specific Options

- Based on the results of the standard 24-hour test. Actual consumption depends on usage/position of the appliance.

### Design features

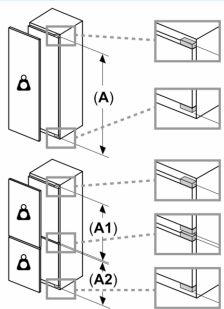
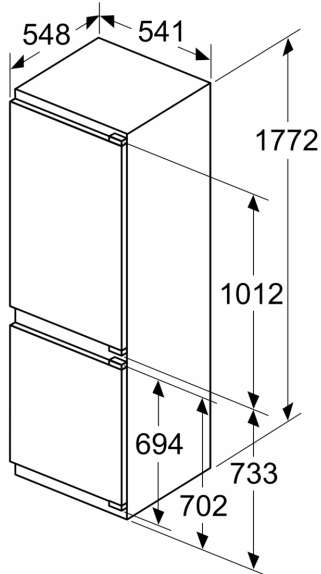
### Dimension and installation

#### Additional features

- Net 4\* compartment volume : 76 l

**IQ300, built-in fridge-freezer with  
freezer at bottom, 177.2 x 54.1  
cm, flat hinge  
KI86NHFE0**

measurements in mm



**Maximal permissible weight of the unit fronts**

Fitted unit fronts that exceed the permissible weight may cause damage and result in functional impairment of the hinges

Δ Weight

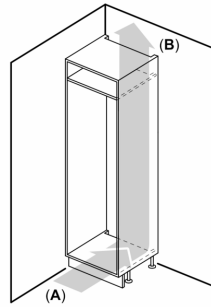
A: Appliance door height including hinges in mm

B: Undamped hinge, unit front in kg

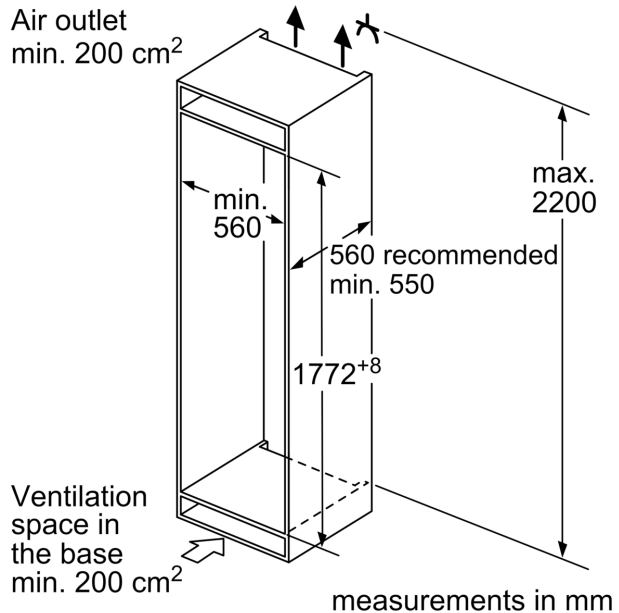
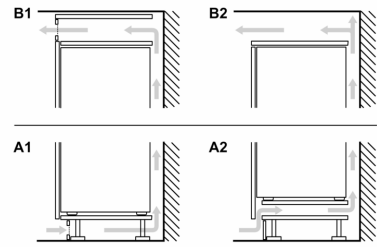
C: Damped hinge, unit front in kg

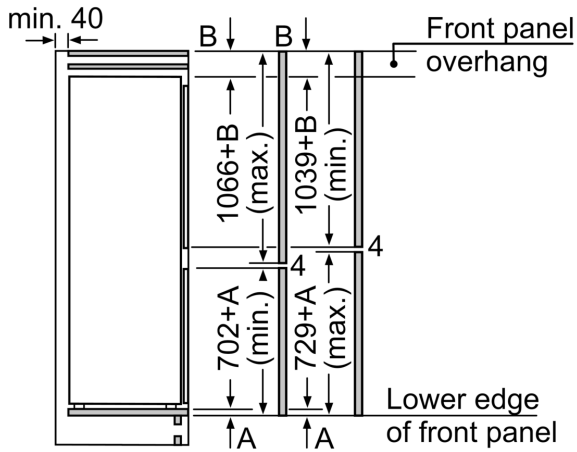
D: Additional possible load in kg with heavy load kit

A	B	C	D
1500-1750	22	22	B+5 / C+5
720-1400	19	19	
A1	15	19	
A2	15	19	



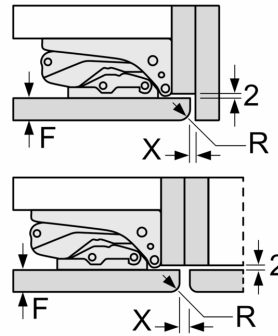
A: Air inlet  $\geq 200 \text{ cm}^2$ ; Ventilation options  
B: Air outlet  $\geq 200 \text{ cm}^2$ ; Ventilation options





The specified unit door dimensions are valid for a door gap of 4 mm.  
 measurements in mm

measurements in mm  
 Recommended gap dimensions for flat hinges



F	R	X
16-19	0-3	2.5
20	0-1	3
	2-3	2.5
21	0-1	3
	2-3	2.5
22	0	4
	1	3.5
	2-3	3

The gap dimensions recommended in the table must be adhered to in order to ensure that appliance doors do not collide with anything when they are opened, and to avoid causing damage to kitchen units.