



**iQ300, built-in fridge-freezer with
freezer at bottom, 177.2 x 54.1 cm, flat
hinge
KI85VVF0G**



built-in fridge freezer for crisper fruit and vegetables thanks to the Fresh Box with wavy bottom, plus electronic temperature control.

- ✓ Less frost formation and faster defrosting with lowFrost.
- ✓ LED light – Ample, even lighting helps you check what's in your fridge faster.
- ✓ The bigBox offers plenty of space to store and stack large frozen items efficiently.
- ✓ The fruit and vegetables stay crispy in the Fresh Box with wavy bottom.
- ✓ superFreezing – Quick-freeze even large amounts of food.

Features

Technical Data

Energy Efficiency Class: F
 Average annual energy consumption in kilowatt hour per year (kWh/a):
 285 kWh/annum
 Sum of volume of frozen compartments: 102 l
 Sum of volume of chill compartments: 159 l
 Airborne acoustical noise emissions : 38 dB(A) re 1 pW
 Airborne acoustical noise emission class: C
 Built-in / Free-standing: Built-in
 Door panel options: Not possible
 Width of the appliance: 541 mm
 Depth: 545 mm
 Required niche size for installation (HxWxD): 1775.0 x 560 x 550 mm
 Net weight: 65.9 kg
 Connection Rating: 90 W
 Fuse protection: 13 A
 Door hinge: Right reversible
 Voltage: 220-240 V
 Frequency: 50 Hz
 Approval certificates: CE, VDE
 Length electrical supply cord: 230 cm
 Storage Period in Event of Power Failure (h): 10 h
 Number of compressors: 1
 Number of independent cooling systems: 1
 Interior ventilator: No
 Reversible Door Hinge: Yes
 Number of Adjustable Shelves in fridge compartment: 3
 Shelves for Bottles: No
 Frost free system: No
 Installation typology: Full-integrated
 Type of hinge: Flush-folding

Included accessories

- 3 x egg tray
- 1 x ice cube tray





iQ300, built-in fridge-freezer with freezer at bottom, 177.2 x 54.1 cm, flat hinge KI85VVF0G

Features

- KI85VVF0G
- coolEfficiency
- easy Installation

Functions

- Bright interior LED fridge light
- Interior design with metal applications

Design features

- Electronic control (LED chain)
- freshSense - constant temperature by intelligent sensor technology
 - Constant temperature control by intelligent sensor technology
- 1 compressor/1 cooling circuit
- superFreeze function with automatic deactivation

Design features

- 4 safety glass shelves of which 3 are height adjustable

Freshness System

- 1 vegetable/salad container
-

Food freshness system

- Removable safety glass shelves for extra space
- 4 transparent freezer drawers, 1 bigBox

Dimension and installation

- Dimensions: 177.2 cm H x 54.1 cm W x 54.5 cm D
- Niche Dimensions: 177.5 cm H x 56 cm W x 55 cm D

Key features - Fridge section

- Right hinged door, door reversible
- Connection value 90 W
- 220 - 240 V

Key features - Freezer section

- 3 x egg tray, 2 x ice cube tray

Country Specific Options

- Based on the results of the standard 24-hour test. Actual consumption depends on usage/position of the appliance.

Design features

Dimension and installation

Additional features

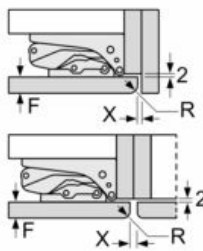
Performance and Consumption

- EU19_EEK_D: F
- Total Volume : 261 l
- Net Fridge Volume : 159 l
- Net Freezer Volume : 102 l
- Freezing capacity 24h : 4.6 kg
- Annual Energy Consumption: 285 kWh/a
- Climate Class: SN-ST
- EU19_Fast freezer facility_D: yes
- Noise Level : 38 dB
- Temperature rise time : EU19_Temperature rise time_D: 10 H

**iQ300, built-in fridge-freezer with freezer at bottom, 177.2 x 54.1 cm, flat hinge
KI85VVF0G**

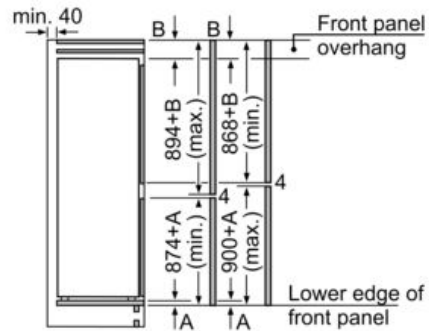
Dimensioned drawings

measurements in mm
Recommended gap dimensions for flat hinges

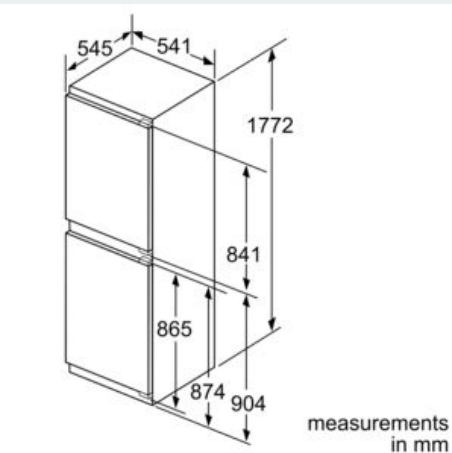
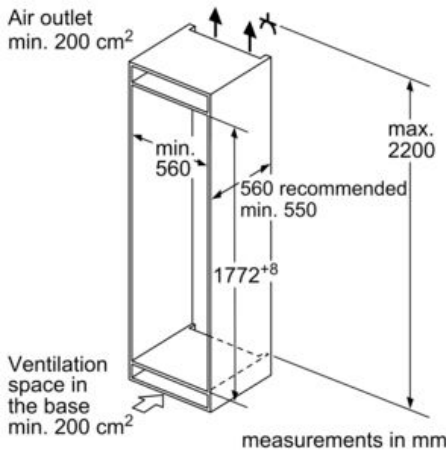


F	R	X
16-19	0-3	2.5
20	0-1	3
	2-3	2.5
21	0-1	3
	2-3	2.5
22	0	4
	1	3.5
	2-3	3

The gap dimensions recommended in the table must be adhered to in order to ensure that appliance doors do not collide with anything when they are opened, and to avoid causing damage to kitchen units.



The specified unit door dimensions are valid for a door gap of 4 mm.
measurements in mm



Maximal permissible weight of the unit fronts
Fitted unit fronts that exceed the permissible weight may cause damage and result in functional impairment of the hinges.

Δ Weight
A Appliance door height including hinges in mm
B Undamped hinge, unit front in kg
C Damped hinge, unit front in kg

A	B	C
1500-1750	22	22
720-1400	19	19
A1	15	19
A2	15	19