

IQ100, built-in fridge-freezer with freezer at bottom, 177.2 x 54.1 cm, flat hinge KI85NNFE0G



KS6BZR00	Bottle Rack
KSGGZM00	Butter box

Built-in fridge-freezer with noFrost for no defrosting effort

- ✓ noFrost – Never defrost your freezer again.
- ✓ LED light – Even lighting throughout the inside of your fridge to keep everything in view.
- ✓ autoAirflow – Ideal air circulation for even cooling at all levels, maintaining longer freshness.
- ✓ safetyGlass shelves – Extra strong and easy to clean.

Technical Specifications

Energy Efficiency Class: E
 Average annual energy consumption in kilowatt hour per year (kWh/a): 239 kWh/annum
 Sum of volume of frozen compartments: 99 l
 Sum of volume of chill compartments: 150 l
 Airborne acoustical noise emissions : 39 dB(A) re 1 pW
 Airborne acoustical noise emission class: C
 Built-in / Free-standing: Built-in
 Door panel options: Not possible
 Height: 1772 mm
 Width of the appliance: 541 mm
 Dimensions: 548 mm
 Min. required niche size for installation (HxWxD): 1775.0 x 560 x 550 mm
 Weight: 54.7 kg
 Fuse protection: 10 A
 Door hinge: Right reversible
 Nominal power: 220-240 V
 Frequency: 50 Hz
 Length electrical supply cord: 230.0 cm
 Number of compressors: 1
 Number of independent cooling systems: 1
 Interior ventilator: No
 Reversible Door Hinge: Yes
 Number of Adjustable Shelves in fridge compartment: 2
 Shelves for Bottles: No
 Frost free system: Fridge and freezer
 Installation type: N/A



IQ100, built-in fridge-freezer with freezer at bottom, 177.2 x 54.1 cm, flat hinge KI85NNFE0G

Performance and Consumption

- EU19_EEK_D: E
- Total Volume : 249 l
- Annual Energy Consumption: 239 kWh/a
- Noise Level : 39 dB

Functions

- Bright interior LED fridge light
- Built-in fridge freezer

Design features

- noFrost freezer, never have to defrost ever again
- EU19_Fast freezer facility_D: yes
- Electronic control (LED chain)
- superCool function with automatic deactivation
- Optical and acoustical door open warning system
- Automatic defrost in fridge section

Design features

- 3 safety glass shelves of which 2 are height adjustable
- Door shelves in fridge door: 1 large and 1 small

Freshness System

- 1 vegetable/salad container

Food freshness system

- Net Freezer Volume : 99 l
- Freezing capacity 24h : 5.5 kg
- Temperature rise time : EU19_Temperature rise time_D: 10 H
- 4 freezer drawers

Dimension and installation

- Dimensions: 177.2 cm H x 54.1 cm W x 54.8 cm D
- Niche Dimensions: 177.5 cm H x 56 cm W x 55 cm D

Key features - Fridge section

- Right hinged door, door reversible
- Height adjustable front feet
- Length of power cord: 230 cm
- Climate Class: SN-ST
- 220 - 240 V

Key features - Freezer section

- 3 x egg tray, 2 x ice cube tray

Country Specific Options

- Based on the results of the standard 24-hour test. Actual consumption depends on usage/position of the appliance.

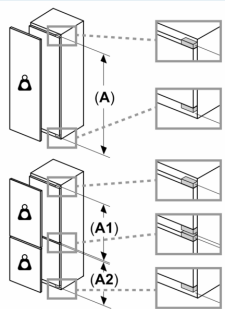
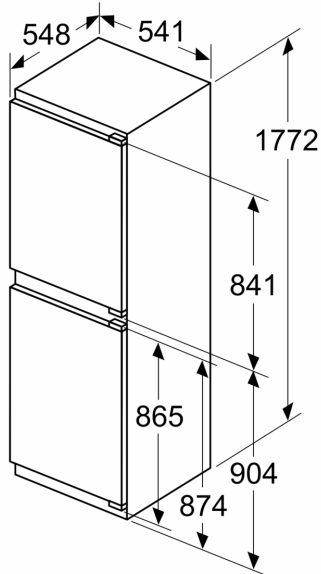
Design features

Dimension and installation

Additional features

**IQ100, built-in fridge-freezer with
freezer at bottom, 177.2 x 54.1
cm, flat hinge
KI85NNFE0G**

measurements in mm



Maximal permissible weight of the unit fronts

Fitted unit fronts that exceed the permissible weight may cause damage and result in functional impairment of the hinges

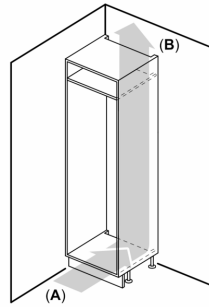
Δ Weight
A: Appliance door height including hinges in mm

B: Undamped hinge, unit front in kg

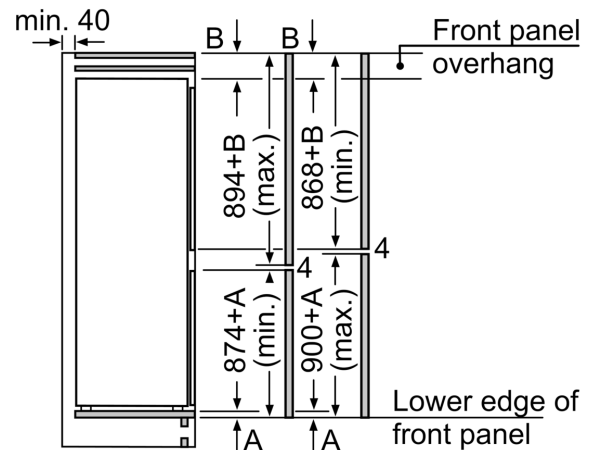
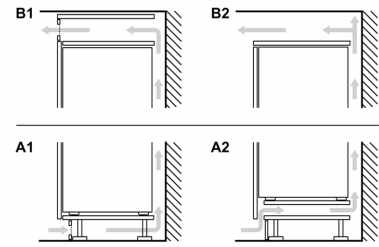
C: Damped hinge, unit front in kg

D: Additional possible load in kg with heavy load kit

A	B	C	D
1500-1750	22	22	
720-1400	19	19	
A1	15	19	B+5 / C+5
A2	15	19	

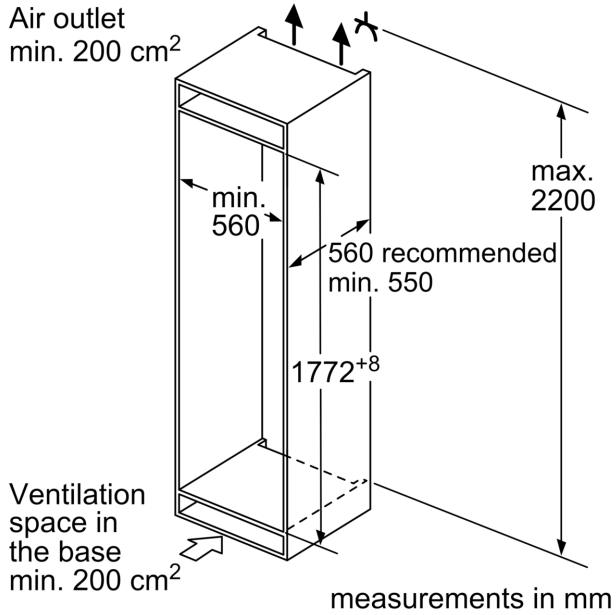


A: Air inlet $\geq 200 \text{ cm}^2$; Ventilation options
B: Air outlet $\geq 200 \text{ cm}^2$; Ventilation options

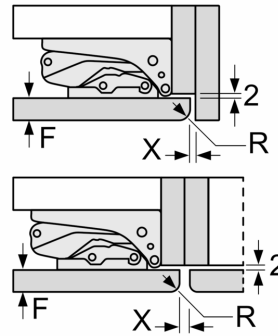


The specified unit door dimensions are valid for a door gap of 4 mm.

measurements in mm



measurements in mm
Recommended gap dimensions for flat hinges



F	R	X
16-19	0-3	2.5
20	0-1	3
	2-3	2.5
21	0-1	3
	2-3	2.5
22	0	4
	1	3.5
	2-3	3

The gap dimensions recommended in the table must be adhered to in order to ensure that appliance doors do not collide with anything when they are opened, and to avoid causing damage to kitchen units.