



**iQ500, built-in fridge-freezer with
freezer at bottom, 177.2 x 55.8 cm,
soft close flat hinge
KI85NADE0G**



coolEfficiency built-in fridge freezer with hyperFresh plus Box to keep fruit and vegetables fresh up to 2 times longer, plus noFrost and softClosing door.

- ✓ The hyperFresh plus Box with adjustable humidity keeps fruit and vegetables fresh for longer.
- ✓ noFrost – Never defrost your freezer again.
- ✓ LED light – Ample, even lighting helps you check what's in your fridge faster.
- ✓ The bigBox offers plenty of space to store and stack large frozen items efficiently.
- ✓ SoftClosing Door: door closes automatically and softly when it is open at a 20° angle or less.

Features

Technical Data

Energy Efficiency Class: E
 Average annual energy consumption in kilowatt hour per year (kWh/a): 236 kWh/annum
 Sum of volume of frozen compartments: 92 l
 Sum of volume of chill compartments: 155 l
 Airborne acoustical noise emissions : 39 dB(A) re 1 pW
 Airborne acoustical noise emission class: C
 Built-in / Free-standing: Built-in
 Door panel options: Not possible
 Width of the appliance: 558 mm
 Depth: 545 mm
 Required niche size for installation (HxWxD): 1775.0 x 560 x 550 mm
 Net weight: 68.3 kg
 Connection Rating: 90 W
 Fuse protection: 13 A
 Door hinge: Right reversible
 Voltage: 220-240 V
 Frequency: 50 Hz
 Approval certificates: CE, Ukraine, VDE
 Length electrical supply cord: 230 cm
 Storage Period in Event of Power Failure (h): 8 h
 Number of compressors: 1
 Number of independent cooling systems: 2
 Interior ventilator: Yes
 Reversible Door Hinge: Yes
 Number of Adjustable Shelves in fridge compartment: 3
 Shelves for Bottles: No
 Frost free system: Freezer
 Installation typology: Full-integrated
 Type of hinge: Flush-folding

Included accessories

- 3 x egg tray
- 1 x ice cube tray
- 1 x bottle holder in door tray





iQ500, built-in fridge-freezer with freezer at bottom, 177.2 x 55.8 cm, soft close flat hinge KI85NADE0G

Features

Functions

- Bright interior LED fridge light

Design features

- LED display for fridge and freezer
- freshSense - constant temperature by intelligent sensor technology
 - Constant temperature control by intelligent sensor technology
- Twin evaporators allows independent temperature control and ensures there is no transference of humidity between the fridge and freezer cavity.
- superCool function with automatic deactivation
- Holiday mode
- Acoustic open door warning system
- Freezer malfunction warning signal: Optical and acoustical

Design features

- 4 safety glass shelves (3 height adjustable)
- 3 door trays, including 1x dairy compartment

Freshness System

- 1 hyperFresh plus box with adjustable humidity - keeps fruit and vegetables fresher for longer.
-

Food freshness system

- noFrost freezer, never have to defrost ever again
- Removable safety glass shelves for extra space
- 4 transparent freezer drawers, 1 bigBox

Dimension and installation

- Dimensions: 177.2 cm H x 55.8 cm W x 54.5 cm D
- Niche Dimensions: 177.5 cm H x 56 cm W x 55 cm D

Key features - Fridge section

- Right hinged door, door reversible
- Connection value 90 W
- 220 - 240 V

Key features - Freezer section

- KI85NADE0G
- bottle holder in door tray

Country Specific Options

- Based on the results of the standard 24-hour test. Actual consumption depends on usage/position of the appliance.

Design features

Additional features

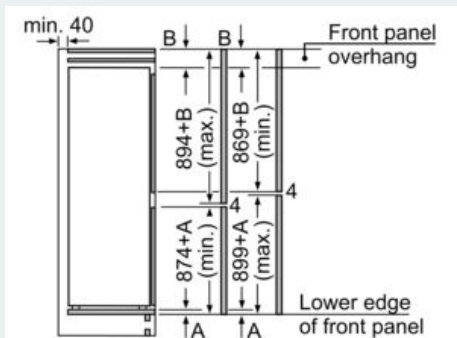
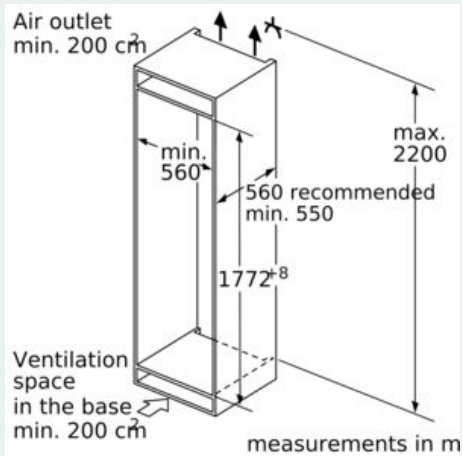
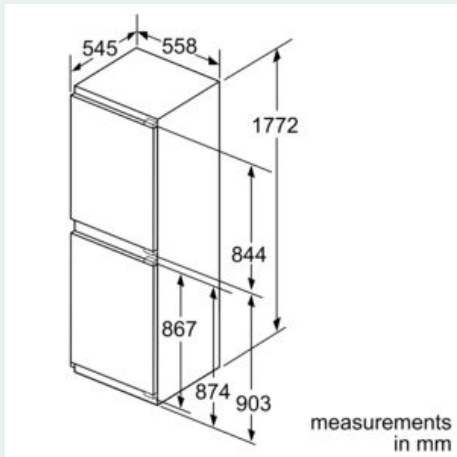
Performance and Consumption

- EU19_EEK_D: E
- Total Volume : 247 l
- Net Fridge Volume : 155 l
- Net Freezer Volume : 92 l
- Freezing capacity 24h : 8 kg
- Annual Energy Consumption: 236 kWh/a
- Climate Class: SN-ST
- EU19_Fast freezer facility_D: yes
- Noise Level : 39 dB
- Temperature rise time : EU19_Temperature rise time_D: 8.4 H



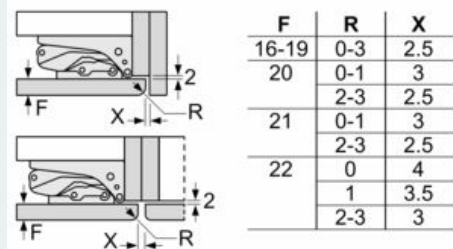
**iQ500, built-in fridge-freezer with
freezer at bottom, 177.2 x 55.8 cm,
soft close flat hinge
KI85NADE0G**

Dimensioned drawings



The specified unit door dimensions are valid for a door gap of 4 mm.

measurements in mm
Recommended gap dimensions for flat hinges



The gap dimensions recommended in the table must be adhered to in order to ensure that appliance doors do not collide with anything when they are opened, and to avoid causing damage to kitchen units.

