

## IQ300, built-in fridge with freezer section, 177.5 x 56 cm, flat hinge KI82LVFE0



Built-in refrigerator with \*\*\*\* freezer compartment, especially stable door trays, bright LED light and autoAirflow for optimal food storage conditions.

- ✓ LED light – Even lighting throughout the inside of your fridge to keep everything in view.
- ✓ Additional space for fruit and vegetables: they stay crispy in the 2 Fresh Boxes with wavy bottom.
- ✓ superCooling – Reduces the temperature for a set time, to quickly cool down fresh food items.
- ✓ safetyGlass shelves – Extra strong and easy to clean.
- ✓ bottleRack – Store your bottles safely and within easy reach.

### Features

#### Technical Data

Energy Efficiency Class: ..... E  
 Average annual energy consumption in kilowatt hour per year (kWh/a): ..... 177 kWh/annum  
 Sum of volume of frozen compartments: ..... 34 l  
 Sum of volume of chill compartments: ..... 246 l  
 Airborne acoustical noise emissions : ..... 35 dB(A) re 1 pW  
 Airborne acoustical noise emission class: ..... B  
 Built-in / Free-standing: ..... Built-in  
 Door panel options: ..... Not possible  
 Height: ..... 1772 mm  
 Width of the appliance: ..... 541 mm  
 Dimensions: ..... 548 mm  
 Min. required niche size for installation (HxWxD): .... 1775.0 x 560 x 550 mm  
 Weight: ..... 56.3 kg  
 Fuse protection: ..... 10 A  
 Door hinge: ..... Right reversible  
 Nominal power: ..... 220-240 V  
 Frequency: ..... 50 Hz  
 Length electrical supply cord: ..... 230.0 cm  
 Number of compressors: ..... 1  
 Number of independent cooling systems: ..... 1  
 Interior ventilator: ..... Yes  
 Reversible Door Hinge: ..... Yes  
 Number of Adjustable Shelves in fridge compartment: ..... 4  
 Shelves for Bottles: ..... Yes  
 EAN code: ..... 4242003928882  
 Brand: ..... Siemens  
 Product name / Commercial code: ..... KI82LVFE0  
 Product category: ..... Upright fridge  
 Frost free system: ..... No  
 Installation type: ..... Fully integrated  
 Included accessories: ..... 3 x egg tray, 1 x ice cube tray, 1 x Heavy-duty hinge support



4 242003 928882

#### Included accessories

3 x egg tray, 1 x ice cube tray, 1 x Heavy-duty hinge support

#### Optional accessories

KSGGZM00 Butter box

## IQ300, built-in fridge with freezer section, 177.5 x 56 cm, flat hinge KI82LVFEO

### Features

#### Performance and Consumption

- EU19\_EEK\_D: E
- Total Volume : 280 l
- Net Fridge Volume : 246 l
- Net Freezer Volume : 34 l
- Freezing capacity 24h : 2.5 kg
- Annual Energy Consumption: 177 kWh/a
- Climate Class: SN-ST
- EU19\_Fast freezer facility\_D: yes
- Noise Level : 35 dB
- Temperature rise time : EU19\_Temperature rise time\_D: 18 H

#### Functions

- no handle no handle
- Bright interior LED fridge light

#### Design features

- Electronic control (LED chain)
- 1 compressor/1 cooling circuit
- superCool function with automatic deactivation
- Optical and acoustical door open warning system

#### Design features

- 6 safety glass shelves of which 4 are height adjustable
- Bottle rack
- Door shelves in fridge door: 2 large and 3 small

#### Freshness System

- 2 vegetable/salad containers

#### Food freshness system

- 1 hinged freezer compartment

#### Dimension and installation

- Dimensions: 177.2 cm H x 54.1 cm W x 54.8 cm D

#### Key features - Fridge section

- Right hinged door, door reversible
- Height adjustable front feet
- 220 - 240 V
- Length of power cord: 230 cm

#### Key features - Freezer section

- Heavy-duty hinge support, 3 x egg tray, 2 x ice cube tray

#### Country Specific Options

- Based on the results of the standard 24-hour test. Actual consumption depends on usage/position of the appliance.

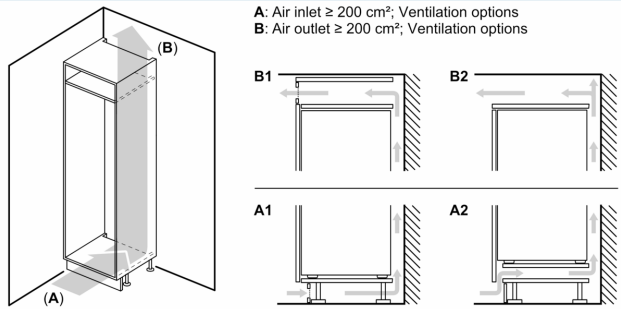
#### Design features

#### Dimension and installation

#### Additional features

**IQ300, built-in fridge with freezer section, 177.5 x 56 cm, flat hinge KI82LVFE0**

Dimensioned drawings

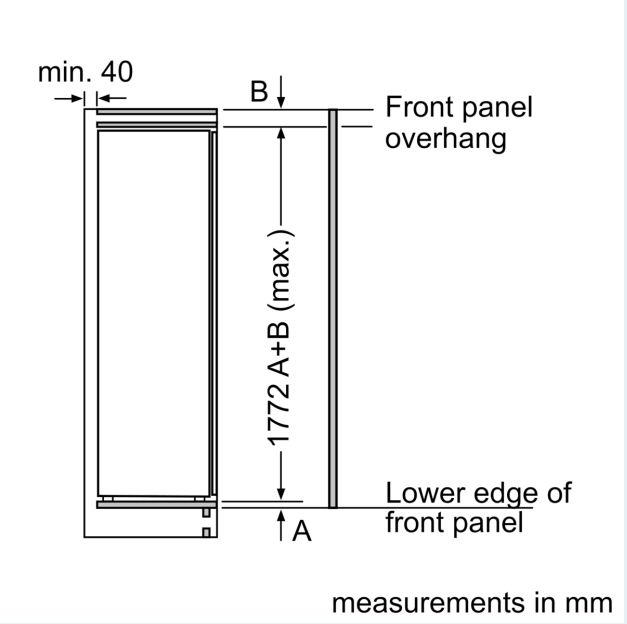
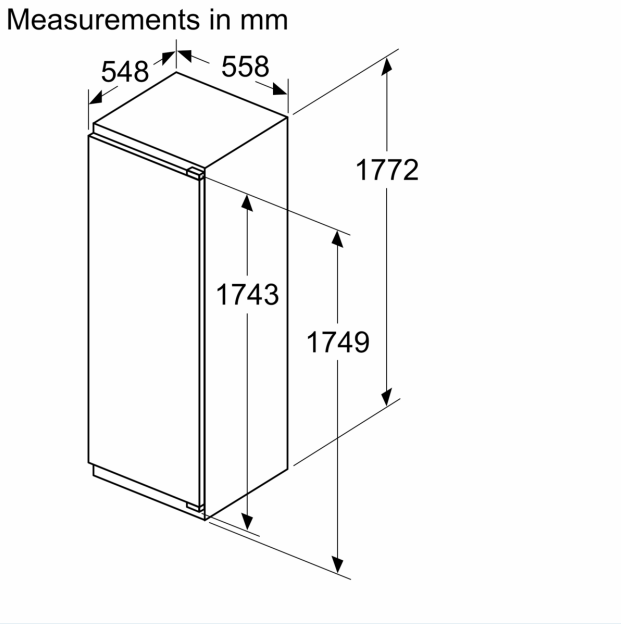


**Maximal permissible weight of the unit fronts**

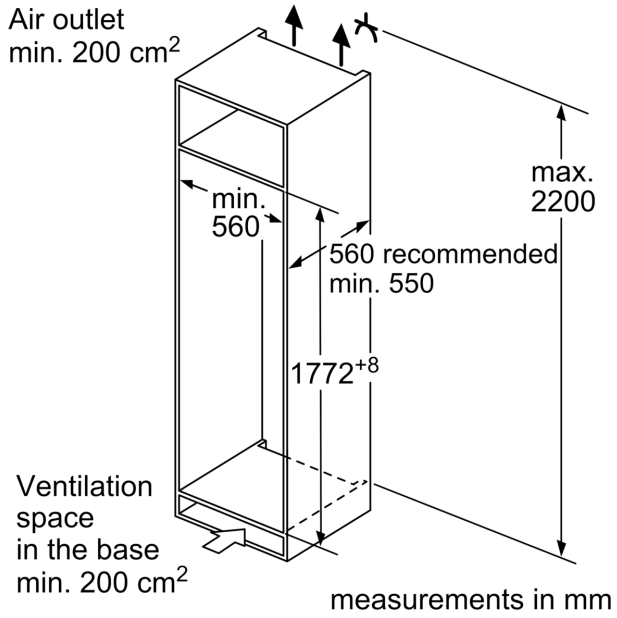
Fitted unit fronts that exceed the permissible weight may cause damage and result in functional impairment of the hinges

**Δ** Weight  
**A:** Appliance door height including hinges in mm  
**B:** Undamped hinge, unit front in kg  
**C:** Damped hinge, unit front in kg  
**D:** Additional possible load in kg with heavy load kit

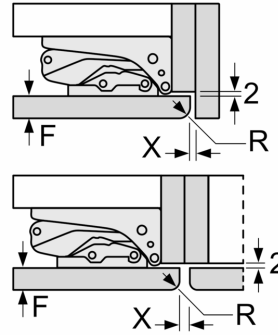
| A         | B  | C  | D         |
|-----------|----|----|-----------|
| 1500-1750 | 22 | 22 | B+5 / C+5 |
| 720-1400  | 19 | 19 |           |
| A1        | 15 | 19 |           |
| A2        | 15 | 19 |           |



Dimensioned drawings



measurements in mm  
Recommended gap dimensions for flat hinges



| F     | R   | X   |
|-------|-----|-----|
| 16-19 | 0-3 | 2.5 |
| 20    | 0-1 | 3   |
|       | 2-3 | 2.5 |
| 21    | 0-1 | 3   |
|       | 2-3 | 2.5 |
| 22    | 0   | 4   |
|       | 1   | 3.5 |
|       | 2-3 | 3   |

The gap dimensions recommended in the table must be adhered to in order to ensure that appliance doors do not collide with anything when they are opened, and to avoid causing damage to kitchen units.