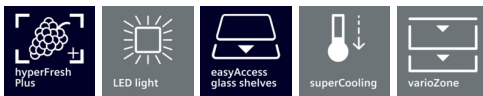




## iQ500, built-in fridge with freezer section, 177.5 x 56 cm, flat hinge KI82LAFF0



coolEfficiency built-in fridge freezer with hyperFresh plus Box to keep fruit and vegetables fresh up to 2 times longer, plus varioShelf, in the highly efficient EEC A+++

- ✓ The hyperFresh plus Box with adjustable humidity keeps fruit and vegetables fresh for longer.
- ✓ LED light – Ample, even lighting helps you check what's in your fridge faster.
- ✓ The easyAccess glass shelves make loading easier and give you a better view of your food items.
- ✓ The superCooling button reduces the temperature for a set time, to quickly cool down fresh food items.
- ✓ All freezer drawers and glass shelves can be removed easily. varioZone lets you organize the space flexibly.

### Features

#### Technical Data

Energy Efficiency Class: F

Average annual energy consumption in kilowatt hour per year (kWh/a): 222 kWh/annum

Sum of volume of frozen compartments: 34 l

Sum of volume of chill compartments: 252 l

Airborne acoustical noise emissions : 36 dB(A) re 1 pW

Airborne acoustical noise emission class: C

Built-in / Free-standing: Built-in

Door panel options: Not possible

Height: 1772 mm

Width of the appliance: 558 mm

Depth: 545 mm

Required niche size for installation (HxWxD): 1775.0 x 560 x 550 mm

Net weight: 61.4 kg

Connection Rating: 90 W

Fuse protection: 10 A

Door hinge: Right reversible

Voltage: 220-240 V

Frequency: 50 Hz

Approval certificates: CE, Ukraine, VDE

Length electrical supply cord: 230 cm

Storage Period in Event of Power Failure (h): 16 h

Number of compressors: 1

Number of independent cooling systems: 1

Interior ventilator: No

Reversible Door Hinge: Yes

Number of Adjustable Shelves in fridge compartment: 4

Shelves for Bottles: No

EAN code: 4242003876046

Brand: Siemens

Product name / Commercial code: KI82LAFF0

Product category: Refrigerator

Frost free system: No

Installation typology: Full-integrated

Included accessories: 2 x egg tray, 1 x ice cube tray

### Included accessories

2 x egg tray

1 x ice cube tray



4 242003 876046



## iQ500, built-in fridge with freezer section, 177.5 x 56 cm, flat hinge KI82LAFF0

### Features

#### Functions

- Bright interior LED fridge light

#### Design features

- Electronic LED display
- freshSense - constant temperature by intelligent sensor technology
  - Constant temperature control by intelligent sensor technology
- Automatic defrost in fridge section
- Acoustic open door warning system

#### Design features

- 5 safety glass shelves (4 height adjustable)
- 5 door trays, including 1x dairy compartment

#### Freshness System

- 1 x hydroFresh drawer - humidity controlled vegetable/salad container on telescopic rails for prolonged storage
- 1 x humidity controlled vegetable/salad drawers on telescopic rails
- 1 x hydroFresh drawer - humidity controlled vegetable/salad container on telescopic rails for prolonged storage
- 1 x humidity controlled vegetable/salad drawers on telescopic rails

#### Food freshness system

- 1 hinged freezer compartment
- 
- 1 removable shelf of safety glass
- Ice box

#### Dimension and installation

- Dimensions: 177.2 cm H x 55.8 cm W x 54.5 cm D
- Niche Dimensions: 177.5 cm H x 56 cm W x 55 cm D

#### Key features - Fridge section

- Right hinged door, door reversible
- Connection value 90 W
- 220 - 240 V

#### Key features - Freezer section

- 3 x egg tray, 2 x ice cube tray

#### Country Specific Options

- Based on the results of the standard 24-hour test. Actual consumption depends on usage/position of the appliance.

#### Design features

#### Dimension and installation

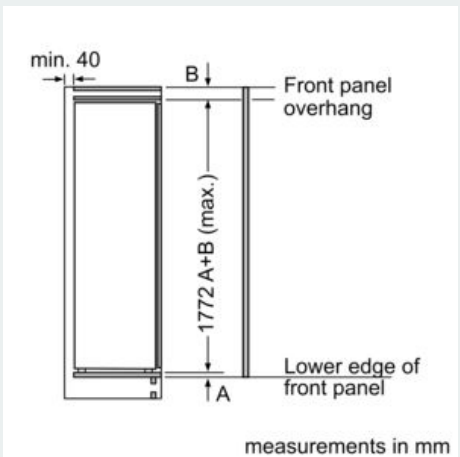
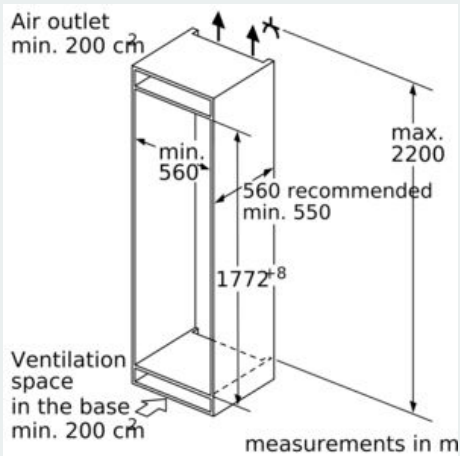
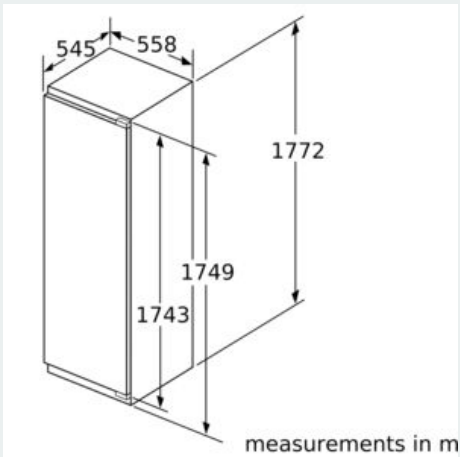
#### Additional features

#### Performance and Consumption

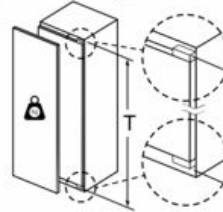
- EU19\_EEK\_D: F
- Total Volume : 286 l
- Net Fridge Volume : 252 l
- Net Freezer Volume : 34 l
- Net 4\* compartment volume : 34 l
- Freezing capacity 24h : 4 kg
- Annual Energy Consumption: 222 kWh/a
- Climate Class: SN-ST
- EU19\_Fast freezer facility\_D: yes
- Noise Level : 36 dB
- Temperature rise time : EU19\_Temperature rise time\_D: 16 H

**iQ500, built-in fridge with freezer section, 177.5 x 56 cm, flat hinge KI82LAFF0**

Dimensioned drawings



Maximal permissible weight of the unit fronts

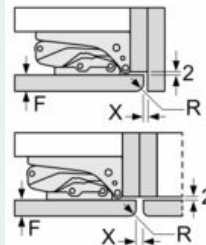


Fitted kitchen unit doors that exceed the permissible weight may cause damage and result in functional impairment of the hinges.

T: Includes height of appliance door Hinges in mm:	undamped hinge, Door in kg:	damped hinge, Door in kg:
1500-1750	22	22

measurements in mm

Recommended gap dimensions for flat hinges



	F	R	X
16-19	0-3	2.5	
	20	0-1	3
21	2-3	2.5	
	22	0-1	3
22	2-3	2.5	
		0	4
		1	3.5
	2-3	3	

The gap dimensions recommended in the table must be adhered to in order to ensure that appliance doors do not collide with anything when they are opened, and to avoid causing damage to kitchen units.

Maximal permissible weight of the unit fronts

Fitted unit fronts that exceed the permissible weight may cause damage and result in functional impairment of the hinges.

Δ Weight

A: Appliance door height including hinges in mm

B: Undamped hinge, unit front in kg

C: Damped hinge, unit front in kg

	A	B	C
1500-1750	22	22	22
720-1400	19	19	19
A1	15	19	
A2	15	19	



**iQ500, built-in fridge with freezer  
section, 177.5 x 56 cm, flat hinge  
KI82LAFF0**

Dimensioned drawings

