

IQ500, built-in fridge with freezer section, 177.5 x 56 cm, flat hinge KI82LAF30



Built-in fridge with hyperFresh plus Box to keep fruit and vegetables fresher for longer.

- ✓ The hyperFresh plus Box with adjustable humidity keeps fruit and vegetables fresh for longer.
- ✓ LED light – Even lighting throughout the inside of your fridge to keep everything in view.
- ✓ superCooling – Reduces the temperature for a set time, to quickly cool down fresh food items.
- ✓ varioZone – easily arrange drawers and glass shelves to bring flexibility to your freezer space.
- ✓ **** freezer compartment - ideal conditions for frozen goods at -18°C and below.

Features

Technical Data

Built-in / Free-standing:	Built-in
Door panel options:	Not possible
Height:	1772 mm
Width of the appliance:	558 mm
Dimensions:	545 mm
Min. required niche size for installation (HxWxD):	1775.0 x 560 x 550 mm
Weight:	67.0 kg
Connection Rating:	90 W
Fuse protection:	10 A
Door hinge:	Right reversible
Nominal power:	220-240 V
Frequency:	50 Hz
Length electrical supply cord:	230.0 cm
Number of compressors:	1
Number of independent cooling systems:	1
Interior ventilator:	No
Reversible Door Hinge:	Yes
Number of Adjustable Shelves in fridge compartment:	4
Shelves for Bottles:	No
EAN code:	4242003609774
Brand:	Siemens
Product name / Commercial code:	KI82LAF30
Product category:	Upright fridge
Frost free system:	No
Installation type:	Fully integrated
Included accessories:	2 x egg tray, 1 x ice cube tray



Included accessories

2 x egg tray, 1 x ice cube tray

Optional accessories

KS10Z020 Bottle Rack

IQ500, built-in fridge with freezer section, 177.5 x 56 cm, flat hinge KI82LAF30

Features

Performance and Consumption

- Energy Efficiency Class: A++
- Energy Efficiency Class: A++ kWh/yr: 0.572 kWh
- Total net capacity: 286 litres
- Net fridge capacity: 252 litres
- Net freezer capacity: 34 litres
- Noise level dB(A) re 1 pW: 36

Design features

- Manual defrost freezer
- Fixed hinge, softClosing door: No
- Right hinged door, door reversible
- Electronic LED display
- Removable magnetic door seals - easy to clean

Food freshness system

- 1 x hydroFresh drawer - humidity controlled vegetable/salad container on telescopic rails for prolonged storage
- 1 x humidity controlled vegetable/salad drawers on telescopic rails
- freshSense - constant temperature by intelligent sensor technology - Constant temperature control by intelligent sensor technology
- 1 compressor/1 cooling circuit

Key features - Fridge section

- Automatic defrost in fridge section
- Bright interior LED fridge light
- 5 safety glass shelves in fridge compartment of which 4 are height adjustable
- superCool function with automatic deactivation

Key features - Freezer section

- 4 star rating for freezer section
- Freezing capacity in 24 hours: 3 kg
- Maximum freezer storage time in power failure: 22 hours
- 3 x egg tray, 2 x ice cube tray

Functions

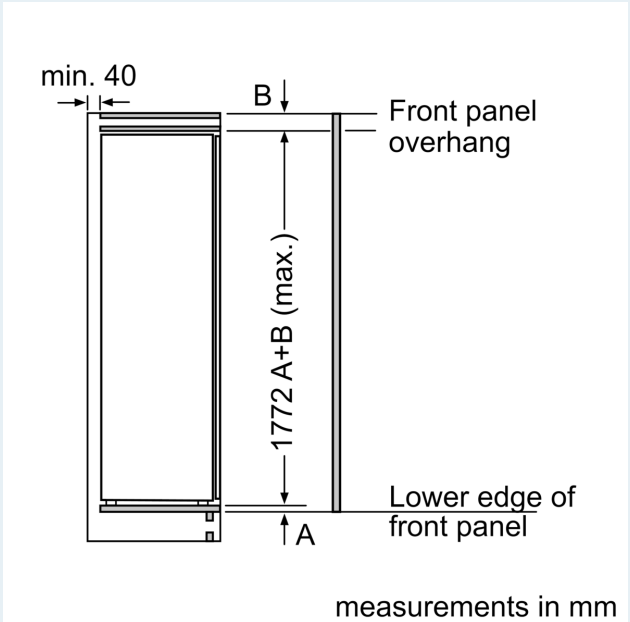
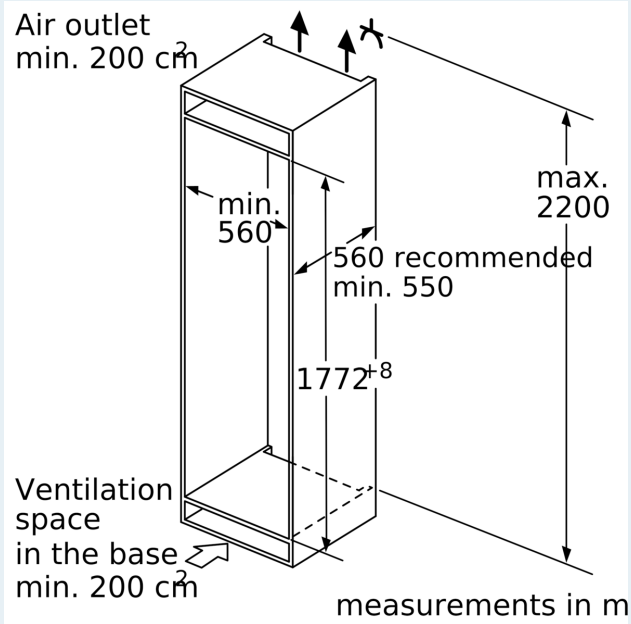
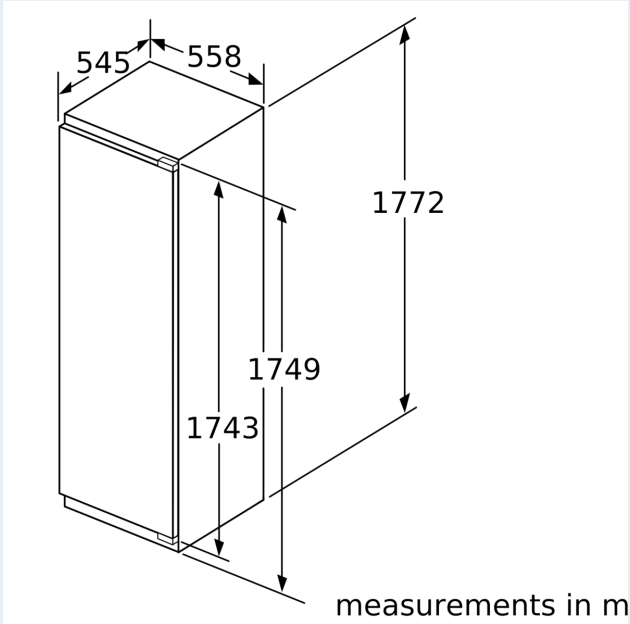
- Acoustic open door warning system

Dimension and installation

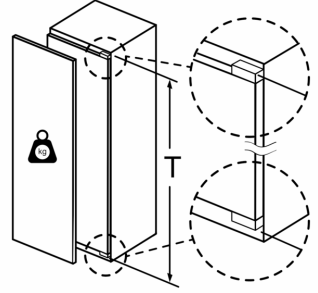
- easy Installation
- Connection value 90 W
- Climate class SN-ST (suitable for ambient temperatures between 10 to 38°C)
- Dimensions: 177.2 cm H x 55.8 cm W x 54.5 cm D
- Niche Dimensions: 177.5 cm H x 56 cm W x 55 cm D

IQ500, built-in fridge with freezer section, 177.5 x 56 cm, flat hinge KI82LAF30

Dimensioned drawings



Maximal permissible weight of the unit fronts

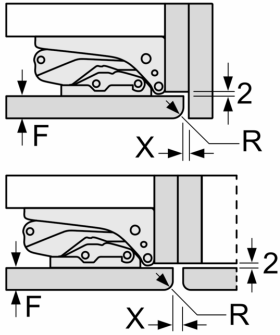


Fitted kitchen unit doors that exceed the permissible weight may cause damage and result in functional impairment of the hinges.

T: Includes height of appliance door	undamped hinge,	damped hinge,
Hinges in mm:	Door in kg:	Door in kg:
1500-1750	22	22

Dimensioned drawings

measurements in mm
Recommended gap dimensions for flat hinges



F	R	X
16-19	0-3	2.5
20	0-1	3
	2-3	2.5
21	0-1	3
	2-3	2.5
22	0	4
	1	3.5
	2-3	3

The gap dimensions recommended in the table must be adhered to in order to ensure that appliance doors do not collide with anything when they are opened, and to avoid causing damage to kitchen units.