

**IQ500, built-in fridge, 177.5 x 56 cm, flat hinge
KI81RAFE0G**



refrigerator with hyperFresh plus to keep fruit and vegetables fresh up to 2 times longer, plus touchControl temperature control.

- ✓ hyperFresh plus: keeps fruit and vegetables fresher for longer.
- ✓ LED light – Even lighting throughout the inside of your fridge to keep everything in view.
- ✓ bottleRack – Store your bottles safely and within easy reach.
- ✓ superCooling: faster cooling for fresh food.
- ✓ varioShelf: the flexibility to adjust your fridge’s interior.

Energy Efficiency Class: E
 Average annual energy consumption in kilowatt hour per year (kWh/a): 115 kWh/annum
 Sum of volume of frozen compartments: 0 l
 Sum of volume of chill compartments: 319 l
 Airborne acoustical noise emissions : 37 dB(A) re 1pW
 Airborne acoustical noise emission class: C
 Built-in / Free-standing: Built-in
 Door panel options: Not possible
 Height: 1772 mm
 Width of the appliance: 558 mm
 Dimensions: 545 mm
 Required niche size for installation (HxWxD): . 1775 x 560 x 550 mm
 Weight: 61.7 kg
 Connection Rating: 90 W
 Fuse protection: 13 A
 Door hinge: Right reversible
 Nominal power: 220-240 V
 Frequency: 50 Hz
 Length electrical supply cord: 230.0 cm
 Number of compressors: 1
 Number of independent cooling systems: 1
 Interior ventilator: Yes
 Reversible Door Hinge: Yes
 Number of Adjustable Shelves in fridge compartment: 6
 Shelves for Bottles: Yes
 EAN code: 4242003884478
 Brand: Siemens
 Product name / Commercial code: KI81RAFE0G
 Product category: Upright fridge
 Frost free system: No
 Installation type: Fully integrated
 Included accessories: 3 x egg tray

3 x egg tray	
KS0BZS00	Heavy-duty hinge support
KS10Z020	Bottle Rack
KSGGZM00	Butter box



IQ500, built-in fridge, 177.5 x 56 cm, flat hinge KI81RAFE0G

- KI81RAFE0G
- coolEfficiency
- easy Installation

Functions

- Bright interior LED fridge light

Design features

- Electronic LED display
- freshSense - constant temperature by intelligent sensor technology - Constant temperature control by intelligent sensor technology
- Automatic defrost in fridge section
- superCool function with automatic deactivation
- Acoustic open door warning system

Design features

- 7 safety glass shelves (6 height adjustable)
- Bottle rack
- 6 door trays, including 1x dairy compartment
- bottle holder in door tray

Freshness System

- 1 x hydroFresh drawer - humidity controlled vegetable/salad container on telescopic rails for prolonged storage
- 1 x humidity controlled vegetable/salad drawers on telescopic rails

Dimension and installation

- Dimensions: 177.2 cm H x 55.8 cm W x 54.5 cm D
- Niche Dimensions: 177.5 cm H x 56 cm W x 55 cm D

Key features - Fridge section

- Right hinged door, door reversible
- Connection value 90 W
- 220 - 240 V

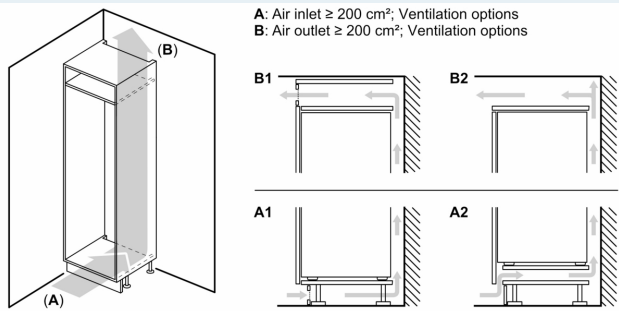
Country Specific Options

- Based on the results of the standard 24-hour test. Actual consumption depends on usage/position of the appliance.

Performance and Consumption

- EU19_EEK_D: E
- Total Volume : 319 l
- Net Fridge Volume : 319 l
- Net Freezer Volume : 0 l
- Annual Energy Consumption: 115 kWh/a
- Climate Class: SN-ST
- EU19_Fast freezer facility_D: no
- Noise Level : 37 dB

**IQ500, built-in fridge, 177.5 x 56 cm, flat hinge
KI81RAFE0G**

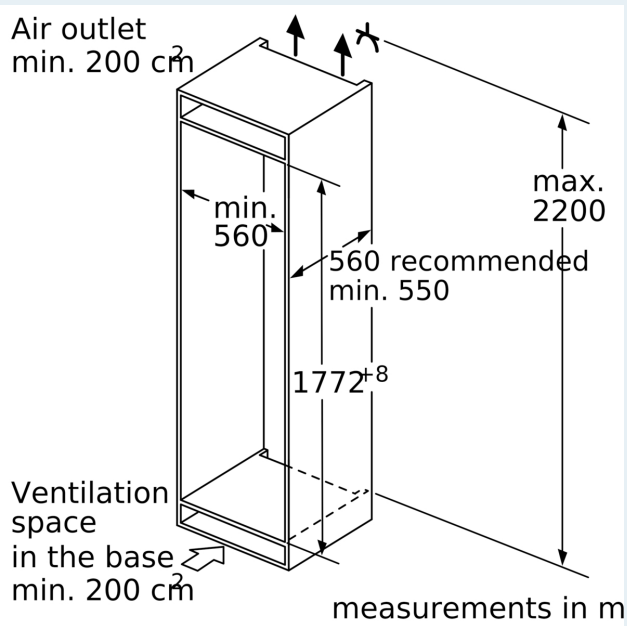
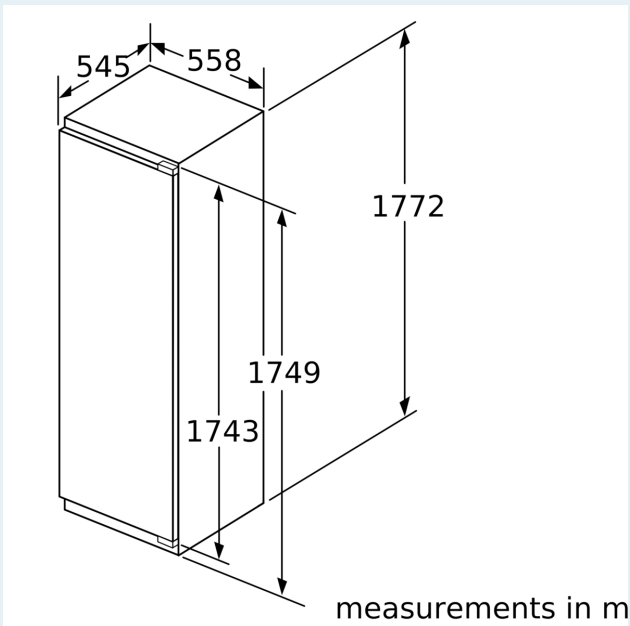


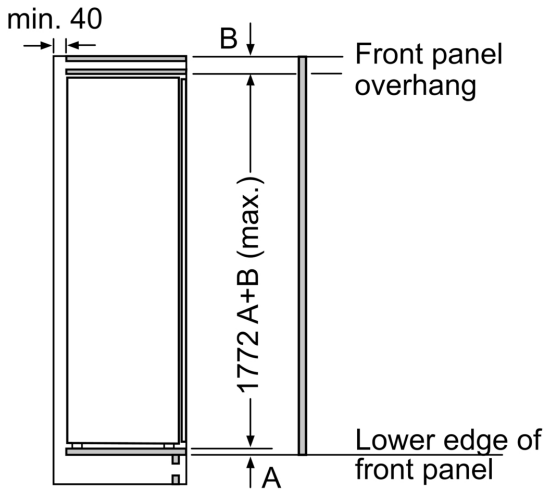
Maximal permissible weight of the unit fronts

Fitted unit fronts that exceed the permissible weight may cause damage and result in functional impairment of the hinges

Δ Weight
A: Appliance door height including hinges in mm
B: Undamped hinge, unit front in kg
C: Damped hinge, unit front in kg
D: Additional possible load in kg with heavy load kit

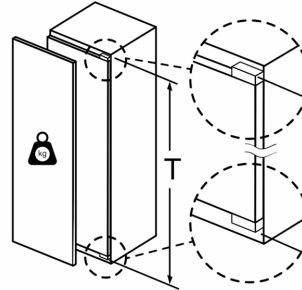
A	B	C	D
1500-1750	22	22	B+5 / C+5
720-1400	19	19	
A1	15	19	
A2	15	19	





measurements in mm

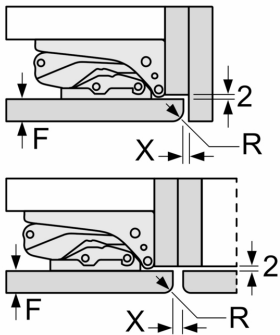
Maximal permissible weight of the unit fronts



Fitted kitchen unit doors that exceed the permissible weight may cause damage and result in functional impairment of the hinges.

T: Includes height of appliance door Hinges in mm:	undamped hinge, Door in kg:	damped hinge, Door in kg:
1500-1750	22	22

measurements in mm
Recommended gap dimensions for flat hinges



F	R	X
16-19	0-3	2.5
20	0-1	3
	2-3	2.5
21	0-1	3
	2-3	2.5
22	0	4
	1	3.5
	2-3	3

The gap dimensions recommended in the table must be adhered to in order to ensure that appliance doors do not collide with anything when they are opened, and to avoid causing damage to kitchen units.