

iQ500, built-in fridge, 177.5 x 56 cm KI81RAF30G



- ✓ The hyperFresh plus Box with adjustable humidity keeps fruit and vegetables fresh for longer.
- ✓ The LED lights up the interior brightly and evenly.
- ✓ bottleRack: Store bottles safely
- ✓ The easyAccess glass shelves make loading easier and give you a better view of your food items.
- ✓ The superCooling button reduces the temperature for a set time, to quickly cool down fresh food items.

Features

Technical Data

Built-in / Free-standing : Built-in
 Door panel options : Not possible
 Height (mm) : 1772
 Width of the appliance : 558
 Depth (mm) : 545
 Required niche size for installation (HxWxD) : 1775.0 x 560 x 550
 Net weight (kg) : 67.726
 Connection Rating (W) : 90
 Current (A) : 13
 Door hinge : Right reversible
 Voltage (V) : 220-240
 Frequency (Hz) : 50
 Approval certificates : CE, G-Mark, VDE
 Length electrical supply cord (cm) : 230
 Number of compressors : 1
 Number of independent cooling systems : 1
 Interior ventilator : Yes
 Reversible Door Hinge : Yes
 Number of Adjustable Shelves in fridge compartment : 6
 Shelves for Bottles : Yes
 EAN code : 4242003621684
 Brand : Siemens
 Product name / Commercial code : KI81RAF30G
 Product category : Refrigerator
 Energy efficiency rating : A++
 Energy consumption annual (kWh/annum) - NEW (2010/30/EC) : 116.00
 Refrigerator Net capacity (l) - NEW (2010/30/EC) : 319
 Freezer Net capacity (l) - NEW (2010/30/EC) : 0
 Frost free system : No
 Freezing capacity (kg/24h) - NEW (2010/30/EC) : 0
 Noise level (dB(A) re 1 pW) : 37
 Climate class : SN-T
 Installation typology : Full-integrated



iQ500, built-in fridge, 177.5 x 56 cm KI81RAF30G

Features

Performance and Consumption

- Energy Efficiency Class: A++
- Energy Efficiency Class: A++ kWh/yr: 0.317 kWh
- Total net capacity: 319 litres
- Net fridge capacity: 319 litres
- Noise level dB(A) re 1 pW: 37

Design features

- Right hinged door, door reversible
- Fixed hinge
- Bright interior LED fridge light
-
- Electronic LED display
- 1 compressor/1 cooling circuit

Food freshness system

- freshSense - constant temperature by intelligent sensor technology
- Constant temperature control by intelligent sensor technology
- 1 x hydroFresh drawer - humidity controlled vegetable/salad container on telescopic rails for prolonged storage
- 1 x humidity controlled vegetable/salad drawers on telescopic rails
-

Key features - Fridge section

- 7 removable safety glass shelves of which 6 are easy pull out
- 6 door trays, including 1x dairy compartment
- 2 removable door storage compartments.
- Bright interior LED fridge light
- Active cooling - quick and even temperature distribution on all shelf levels (interior fan)
- Bottle rack

Functions

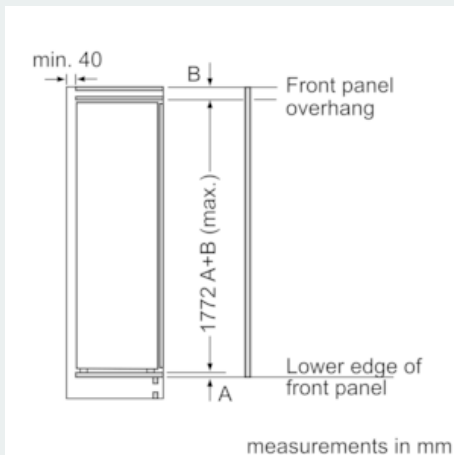
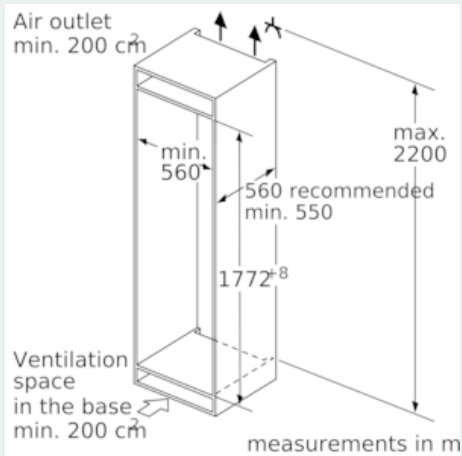
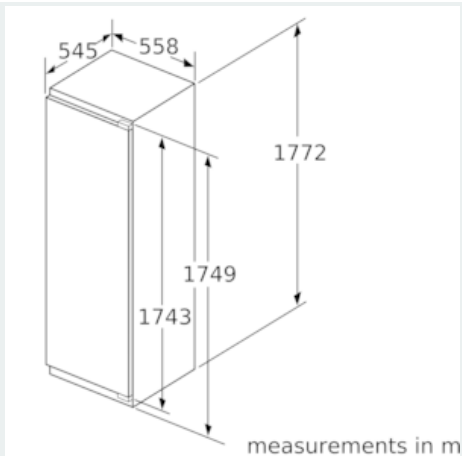
- Acoustic open door warning system

Dimension and installation

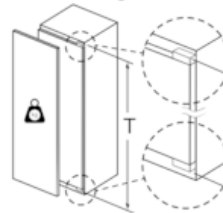
- Climate class SN-T (suitable for ambient temperatures between 10 to 43°C)
- Connection value 90 W
- Dimensions: 177.2 cm H x 55.8 cm W x 54.5 cm D
- Niche Dimensions: 177.5 cm H x 56 cm W x 55 cm D

**iQ500, built-in fridge, 177.5 x 56 cm
KI81RAF30G**

Dimensioned drawings



Maximal permissible weight of the unit fronts

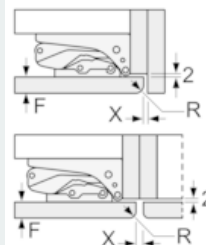


Fitted kitchen unit doors that exceed the permissible weight may cause damage and result in functional impairment of the hinges.

T: Includes height of appliance door Hinges in mm:	undamped hinge, Door in kg:	damped hinge, Door in kg:
1500-1750	22	22

measurements in mm

Recommended gap dimensions for flat hinges



F	R	X
16-19	0-3	2.5
20	0-1	3
	2-3	2.5
21	0-1	3
	2-3	2.5
22	0	4
	1	3.5
	2-3	3

The gap dimensions recommended in the table must be adhered to in order to ensure that appliance doors do not collide with anything when they are opened, and to avoid causing damage to kitchen units.