

## iQ500, built-in fridge, 177.5 x 56 cm KI81RAD30



A++



### Included accessories

2 x egg tray

refrigerator with hyperFresh plus to keep fruit and vegetables fresh up to 2 times longer, plus touchControl temperature control.

- ✓ The hyperFresh plus Box with adjustable humidity keeps fruit and vegetables fresh for longer.
- ✓ The LED lights up the interior brightly and evenly.
- ✓ SoftClosing Door: door closes automatically and softly when it is open at a 20° angle or less.
- ✓ bottleRack: Store bottles safely
- ✓ The easyAccess glass shelves make loading easier and give you a better view of your food items.

### Features

#### Technical Data

Built-in / Free-standing : Built-in  
 Door panel options : Not possible  
 Height (mm) : 1772  
 Width of the appliance : 558  
 Depth (mm) : 545  
 Required niche size for installation (HxWxD) : 1775.0 x 560 x 550  
 Net weight (kg) : 66.930  
 Connection Rating (W) : 90  
 Fuse protection (A) : 10  
 Door hinge : Right reversible  
 Voltage (V) : 220-240  
 Frequency (Hz) : 50  
 Approval certificates : CE, VDE  
 Length electrical supply cord (cm) : 230  
 Number of compressors : 1  
 Number of independent cooling systems : 1  
 Interior ventilator : Yes  
 Reversible Door Hinge : Yes  
 Number of Adjustable Shelves in fridge compartment : 6  
 Shelves for Bottles : Yes  
 EAN code : 4242003621660  
 Brand : Siemens  
 Product name / Commercial code : KI81RAD30  
 Product category : Refrigerator  
 Energy consumption annual (kWh/annum) - NEW (2010/30/EC) : 116.00  
 Refrigerator Net capacity (l) - NEW (2010/30/EC) : 319  
 Freezer Net capacity (l) - NEW (2010/30/EC) : 0  
 Frost free system : No  
 Freezing capacity (kg/24h) - NEW (2010/30/EC) : 0  
 Noise level (dB(A) re 1 pW) : 37  
 Climate class : SN-T  
 Installation typology : Full-integrated



## iQ500, built-in fridge, 177.5 x 56 cm KI81RAD30

### Features

#### Performance and Consumption

- Energy Efficiency Class: A++
- Energy Efficiency Class: A++ kWh/yr: 0.317 kWh
- Total net capacity: 319 litres
- Net fridge capacity: 319 litres
- Noise level dB(A) re 1 pW: 37

#### Design features

- easy Installation
- softClosing door - dampens door movement, for smooth and effortless closure
- Right hinged door, door reversible
- Fixed hinge
- Bright interior LED fridge light
- 
- Electronic LED display
- 1 compressor/1 cooling circuit

#### Food freshness system

- freshSense - constant temperature by intelligent sensor technology
- Constant temperature control by intelligent sensor technology
- 1 x hydroFresh drawer - humidity controlled vegetable/salad container on telescopic rails for prolonged storage
- 1 x humidity controlled vegetable/salad drawers on telescopic rails
- 

#### Key features - Fridge section

- 7 removable safety glass shelves of which 6 are easy pull out
- Easy access shelf - easy access and everything in sight
- Vario shelf - useful storage when required
- 6 door trays, including 1x dairy compartment
- 2 removable door storage compartments.
- Bright interior LED fridge light
- Active cooling - quick and even temperature distribution on all shelf levels (interior fan)
- Bottle rack

#### Functions

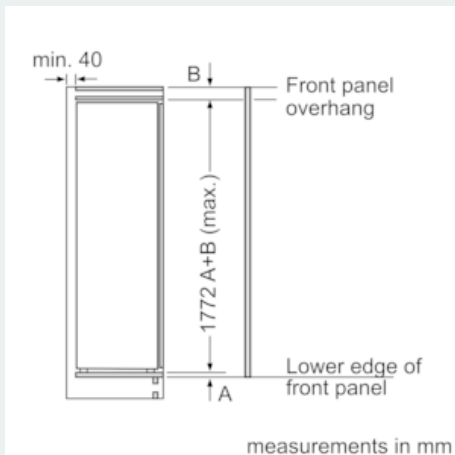
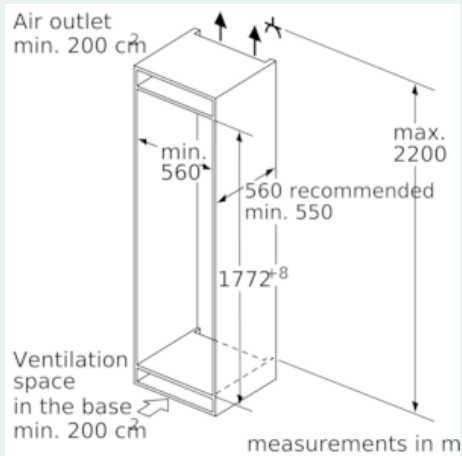
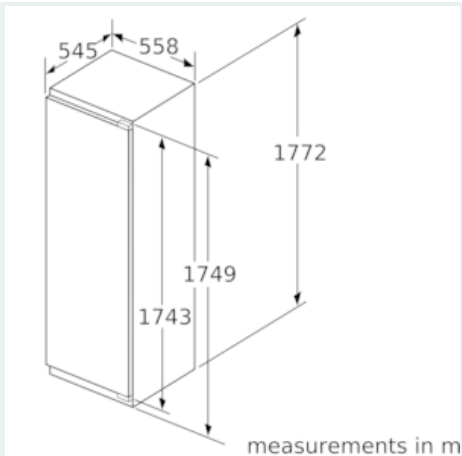
- Acoustic open door warning system

#### Dimension and installation

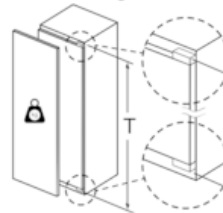
- Climate class SN-T (suitable for ambient temperatures between 10 to 43°C)
- Connection value 90 W
- Dimensions: 177.2 cm H x 55.8 cm W x 54.5 cm D
- Niche Dimensions: 177.5 cm H x 56 cm W x 55 cm D

**iQ500, built-in fridge, 177.5 x 56 cm  
KI81RAD30**

Dimensioned drawings



Maximal permissible weight of the unit fronts

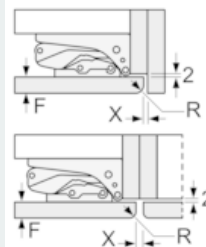


Fitted kitchen unit doors that exceed the permissible weight may cause damage and result in functional impairment of the hinges.

T: Includes height of appliance door Hinges in mm:	undamped hinge, Door in kg:	damped hinge, Door in kg:
1500-1750	22	22

measurements in mm

Recommended gap dimensions for flat hinges



F	R	X
16-19	0-3	2.5
20	0-1	3
	2-3	2.5
21	0-1	3
	2-3	2.5
22	0	4
	1	3.5
	2-3	3

The gap dimensions recommended in the table must be adhered to in order to ensure that appliance doors do not collide with anything when they are opened, and to avoid causing damage to kitchen units.