

**IQ700, built-in fridge, 177.5 x 56 cm, soft close flat hinge
KI81FHOD0**



Premium refrigerator with hyperFresh premium 0°C to keep food fresher for longer

- ✓ SoftClosing Door: door closes automatically and softly when it is open at a 20° angle or less.
- ✓ hyperFresh Premium 0°C – Optimal storage for your fresh ingredients.
- ✓ bottleRack – Store your bottles safely and within easy reach.
- ✓ superCooling – Reduces the temperature for a set time, to quickly cool down fresh food items.
- ✓ Arrange the split varioShelf front-to-back or place underneath, depending on your space needs.

Features

Technical Data

Energy Efficiency Class: D
 Average annual energy consumption in kilowatt hour per year (kWh/a): 120 kWh/annum
 Sum of volume of frozen compartments: 0 l
 Sum of volume of chill compartments: 289 l
 Airborne acoustical noise emissions : 36 dB(A) re 1 pW
 Airborne acoustical noise emission class: C
 Built-in / Free-standing: Built-in
 Door panel options: Not possible
 Height: 1772 mm
 Width of the appliance: 558 mm
 Dimensions: 545 mm
 Min. required niche size for installation (HxWxD): 1775.0 x 560 x 550 mm
 Weight: 72.0 kg
 Connection Rating: 90 W
 Fuse protection: 10 A
 Door hinge: Right reversible
 Nominal power: 220-240 V
 Frequency: 50 Hz
 Length electrical supply cord: 230.0 cm
 Number of compressors: 1
 Number of independent cooling systems: 1
 Interior ventilator: No
 Reversible Door Hinge: Yes
 Number of Adjustable Shelves in fridge compartment: 6
 Shelves for Bottles: Yes
 EAN code: 4242003911594
 Brand: Siemens
 Product name / Commercial code: KI81FHOD0
 Product category: Upright fridge
 Frost free system: No
 Installation type: Fully integrated
 Included accessories: 3 x egg tray, 1 x bottle holder in door tray, 1 x Heavy-duty hinge support



Included accessories	
3 x egg tray, 1 x bottle holder in door tray, 1 x Heavy-duty hinge support	
Optional accessories	
KSGGZM00	Butter box

IQ700, built-in fridge, 177.5 x 56 cm, soft close flat hinge KI81FHOD0

Features

- Fixed hinge, softClosing door - dampens door movement, for smooth and effortless closure
- easy Installation

Performance and Consumption

- EU19_EEK_D: D
- Total Volume : 289 l
- Net Fridge Volume : 289 l
- Net Freezer Volume : 0 l
- Annual Energy Consumption: 120 kWh/a
- Climate Class: SN-T
- Noise Level : 36 dB

Functions

- LED fridge light with Soft Start

Design features

- Home Connect: Remote Monitoring and Control with Wi-Fi connectivity
- Electronic LED display

Key features - Fridge section

- freshSense - constant temperature by intelligent sensor technology - Constant temperature control by intelligent sensor technology
- superCool function with automatic deactivation
- Acoustic open door warning system
- 7 safety glass shelves (6 height adjustable)
- Bottle rack
- 5 door trays, including 1x dairy compartment

Freshness System

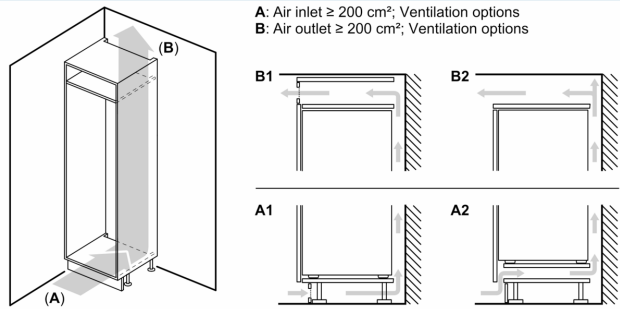
- 1 hyperFresh premium 0°C box with adjustable humidity - keeps fruit and vegetables fresher for longer.

Dimension and installation

- Dimensions: 177.2 cm H x 55.8 cm W x 54.5 cm D
- Niche Dimensions: 177.5 cm H x 56 cm W x 55 cm D
- Right hinged door, door reversible
- Connection value 90 W
- 220 - 240 V
- Heavy-duty hinge support, 1 x bottle holder in door tray, 3 x egg tray
- Based on the results of the standard 24-hour test. Actual consumption depends on usage/position of the appliance.
- EU19_Noise emission class_D: C very quiet

**IQ700, built-in fridge, 177.5 x 56 cm, soft close flat hinge
KI81FHOD0**

Dimensioned drawings

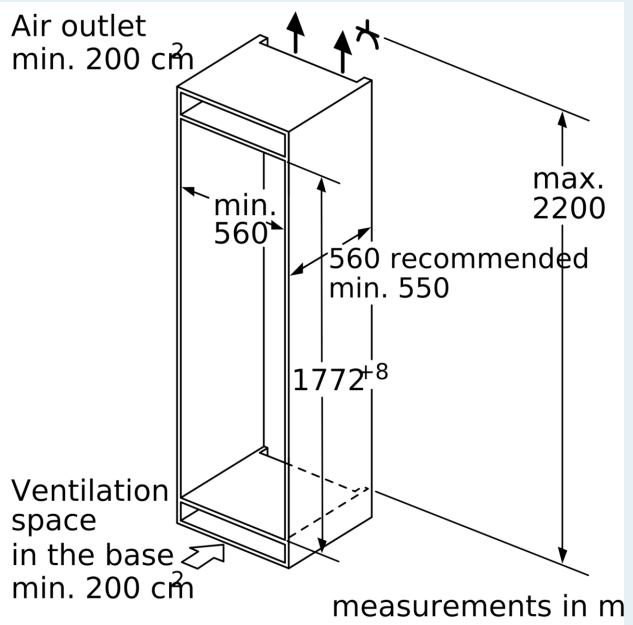
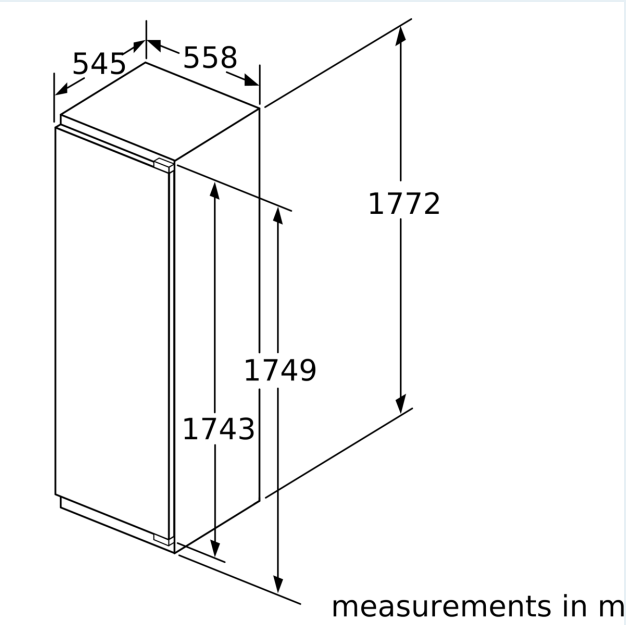


Maximal permissible weight of the unit fronts

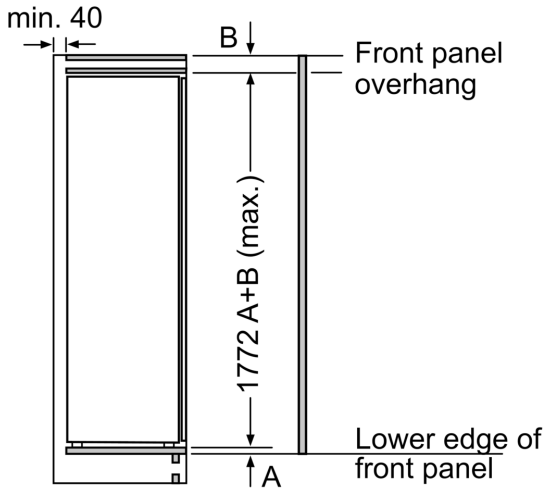
Fitted unit fronts that exceed the permissible weight may cause damage and result in functional impairment of the hinges

W: Weight
A: Appliance door height including hinges in mm
B: Undamped hinge, unit front in kg
C: Damped hinge, unit front in kg
D: Additional possible load in kg with heavy load kit

A	B	C	D
1500-1750	22	22	B+5 / C+5
720-1400	19	19	
A1	15	19	
A2	15	19	

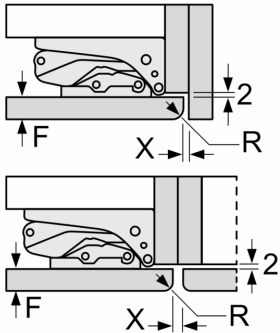


Dimensioned drawings



measurements in mm

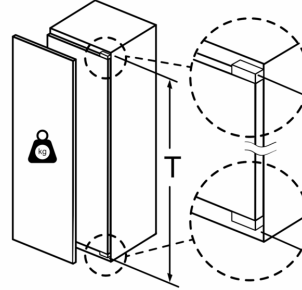
measurements in mm
Recommended gap dimensions for flat hinges



F	R	X
16-19	0-3	2.5
20	0-1	3
	2-3	2.5
21	0-1	3
	2-3	2.5
22	0	4
	1	3.5
	2-3	3

The gap dimensions recommended in the table must be adhered to in order to ensure that appliance doors do not collide with anything when they are opened, and to avoid causing damage to kitchen units.

Maximal permissible weight of the unit fronts



Fitted kitchen unit doors that exceed the permissible weight may cause damage and result in functional impairment of the hinges.

T: Includes height of appliance door Hinges in mm:	undamped hinge, Door in kg:	damped hinge, Door in kg:
1500-1750	22	22