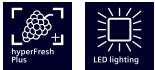


**IQ500, built-in fridge, 140 x 56 cm, flat hinge
KI51RAF30G**



built-in fridge with hyperFresh Boxes to keep food fresher for longer

- ✓ The hyperFresh plus Box with adjustable humidity keeps fruit and vegetables fresh for longer.
- ✓ LED light – Even lighting throughout the inside of your fridge to keep everything in view.
- ✓ superCooling – Reduces the temperature for a set time, to quickly cool down fresh food items.
- ✓ Arrange the split varioShelf front-to-back or place underneath, depending on your space needs.
- ✓ safetyGlass shelves – Extra strong and easy to clean.

Features

Technical Data

Built-in / Free-standing:	Built-in
Door panel options:	Not possible
Height:	1397 mm
Width of the appliance:	558 mm
Dimensions:	545 mm
Min. required niche size for installation (HxWxD):	1400 x 560 x 550 mm
Weight:	51.6 kg
Connection Rating:	90 W
Fuse protection:	13 A
Door hinge:	Right reversible
Nominal power:	220-240 V
Frequency:	50 Hz
Length electrical supply cord:	230.0 cm
Number of compressors:	1
Number of independent cooling systems:	1
Interior ventilator:	No
Reversible Door Hinge:	Yes
Number of Adjustable Shelves in fridge compartment:	5
Shelves for Bottles:	No
EAN code:	4242003742983
Brand:	Siemens
Product name / Commercial code:	KI51RAF30G
Product category:	Upright fridge
Frost free system:	No
Installation type:	Fully integrated
Included accessories:	2 x egg tray



Included accessories	
2 x egg tray	
Optional accessories	
KS10Z020	Bottle Rack

IQ500, built-in fridge, 140 x 56 cm, flat hinge KI51RAF30G

Features

Performance and Consumption

- Energy Efficiency Class: A++
- Energy consumption: 109 kWh kWh/yr.
- Total net capacity: 247 litres
- Noise level dB(A) re 1 pW: 33

Design features

- Right hinged door, door reversible
- Fixed hinge
- Bright interior LED fridge light
- Electronic LED display
- 1 compressor/1 cooling circuit

Food freshness system

- freshSense - constant temperature by intelligent sensor technology - Constant temperature control by intelligent sensor technology
- 1 hyperFresh plus box with adjustable humidity - keeps fruit and vegetables fresher for longer.
- 1 hyperFresh plus box with adjustable humidity - keeps fruit and vegetables fresher for longer.

Key features - Fridge section

- 6 removable safety glass shelves of which 5 are easy pull out
- 5 door trays, including 1x dairy compartment
- Interior design with metal applications
- 1 removable door storage compartments.
- Bright interior LED fridge light

Functions

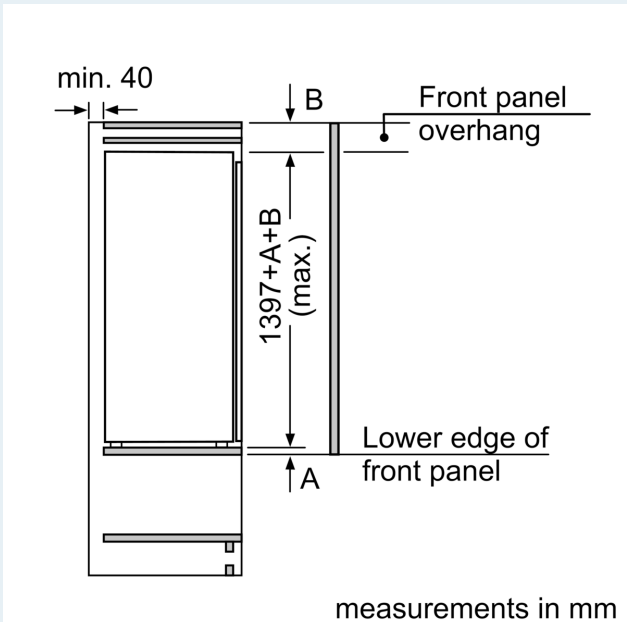
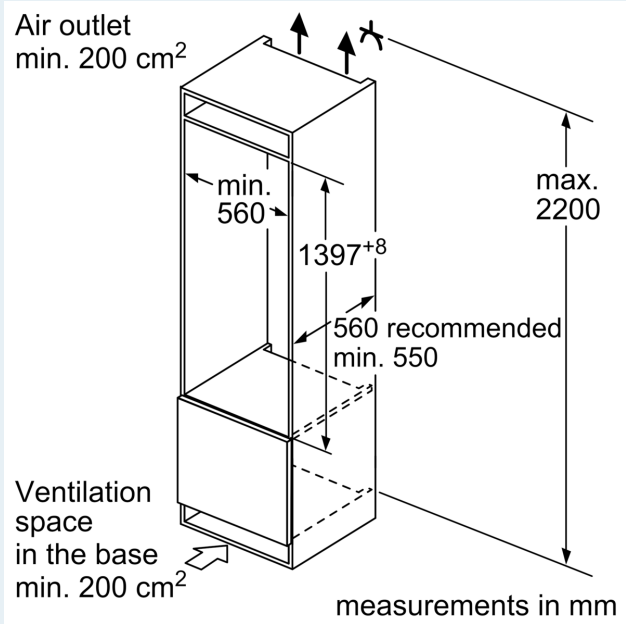
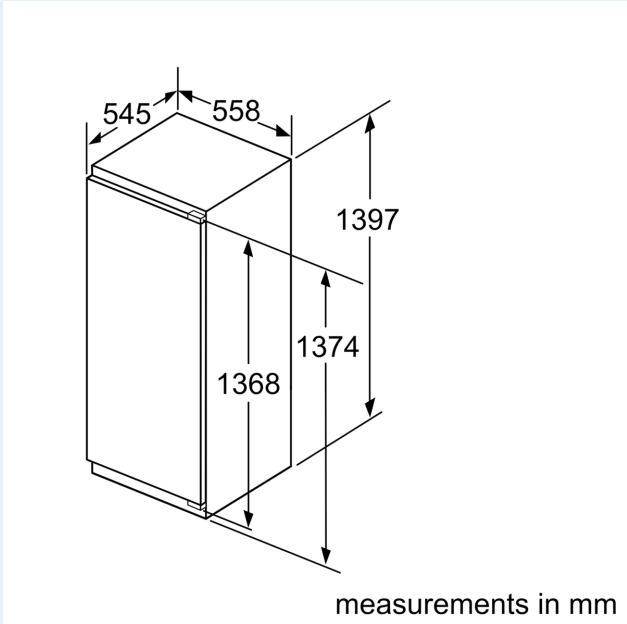
- Acoustic open door warning system

Dimension and installation

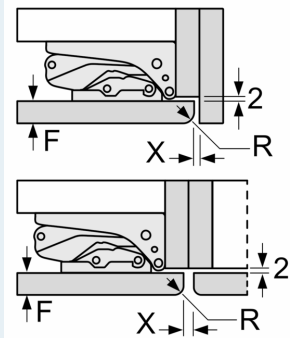
- Climate class SN-T (suitable for ambient temperatures between 10 to 43°C)
- Connection value 90 W
- Dimensions: 139.7 cm H x 55.8 cm W x 54.5 cm D
- Niche Dimensions: 140 cm H x 56 cm W x 55 cm D

**IQ500, built-in fridge, 140 x 56 cm, flat hinge
KI51RAF30G**

Dimensioned drawings



measurements in mm
Recommended gap dimensions for flat hinges



	F	R	X
16-19	20	0-3	2.5
		2-3	3
21	22	0-1	2.5
		2-3	3
22	23	0	4
		1	3.5
		2-3	3

The gap dimensions recommended in the table must be adhered to in order to ensure that appliance doors do not collide with anything when they are opened, and to avoid causing damage to kitchen units.