

**Series 4, free-standing fridge-freezer with freezer at bottom, 203 x 60 cm, Brushed steel anti-fingerprint KGN39VICT**



**NoFrost bottomfreezer: no need to defrost your freezer**

- **Glossy Backwall with Multi Airflow:** evenly circulates cool, fresh air to maintain consistent temperatures.
- **Perfect Fit:** place your fridge right next to walls or other appliances to save space.
- **LED lighting - with soft start, lasts for the lifetime of the appliance.**
- **2 cooling circuits: separately controllable refrigerator and freezer compartments - prevents odour transfer.**
- **Super Cooling: cools new food placed inside faster, thus protecting already cooled food.**

|  |                  |
|--|------------------|
| Energy Efficiency Class: .....   | C                |
| Average annual energy consumption in kilowatt hour per year (kWh/a): ..... | 162 kWh/annum    |
| Sum of volume of frozen compartments: .....                                | 103 l            |
| Sum of volume of chill compartments: .....                                 | 260 l            |
| Airborne acoustical noise emissions : .....                                | 35 dB(A) re 1 pW |
| Airborne acoustical noise emission class: .....                            | B                |
| Built-in / Free-standing: .....  | Free-standing    |
| Door panel options: .....  | Not possible     |
| Height: .....  | 2030 mm          |
| Width of the appliance: .....  | 600 mm           |
| Depth: .....   | 665 mm           |
| Net weight: .....  | 73.7 kg          |
| Fuse protection: .....   | 10 A             |
| Door hinge: .....  | Right reversible |
| Voltage: .....   | 220-240 V        |
| Frequency: .....   | 50 Hz            |
| Length electrical supply cord: .....                                       | 226.0 cm         |
| Number of compressors: .....   | 1                |
| Number of independent cooling systems: .....                               | 2                |
| Interior ventilator: .....   | No               |
| Reversible Door Hinge: .....   | Yes              |
| Number of Adjustable Shelves in fridge compartment: .....                  | 3                |
| Shelves for Bottles: .....   | Yes              |
| Frost free system: .....   | Fridge           |
| Installation typology: .....   | Free-standing    |



## **Series 4, free-standing fridge-freezer with freezer at bottom, 203 x 60 cm, Brushed steel anti-fingerprint KGN39VICT**

- Based on the results of the standard 24-hour test. Actual consumption depends on usage/position of the appliance.

### **NoFrost bottomfreezer: no need to defrost your freezer**

---

#### **Performance and Consumption**

- EU19\_EEK\_D: C
- Total Volume : 363 l
- Net Fridge Volume : 260 l
- Net Freezer Volume : 103 l
- Freezing capacity 24h : 10 kg
- Annual Energy Consumption: 162 kWh/a
- Climate Class: SN-T
- EU19\_Fast freezer facility\_D: yes
- Noise Level : 35 dB
- Temperature rise time : EU19\_Temperature rise time\_D: 15 H

#### **Design features**

- Stainless Steel EasyClean doors and Pearl grey (VZF 07127) side panels
- Separate, electronic temperature control with LED display
- Vertical door handle Vertical door handle
- Bright interior LED fridge light

#### **Food freshness system**

- Two separate cooling circuits allow independent temperature control and prevents the transference of humidity between the fridge and freezer cavity
- 1 VitaFresh drawer with humidity control - Fruits and vegetables retain vitamins and stay fresh for longer

#### **Key features - Fridge section**

- SuperCool function
- Optical and acoustic door open alarm
- ChillerBox - recommended storage area for meat and fish
- MultiAirflow system - improves circulation of air around the fridge
- 5 safety glass shelves of which 3 are height adjustable
- Bottle rack
- Door shelves in fridge door: 1 large and 3 small
- 5 safety glass shelves (3 height adjustable)

#### **Dimension and installation**

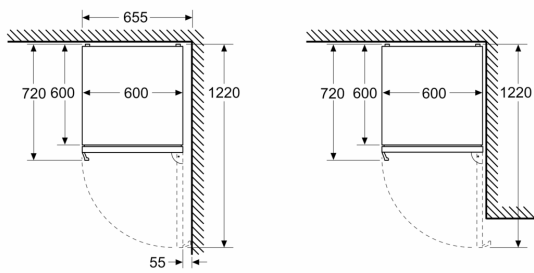
- Dimensions: 203 cm H x 60 cm W x 66.5 cm D
- Right hinged door, reversible door
- Height adjustable front feet
- 220 - 240 V

#### **Key features - Freezer section**

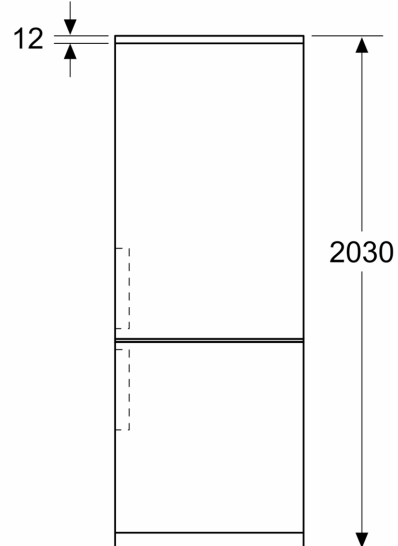
- Net freezer capacity: 103 litres
- Freezing capacity in 24 hours: 10 kg
- Maximum freezer storage time in power failure: 15 hours
- Freezer malfunction warning signal: optical and acoustical warning system
- 3 freezer drawers
- 3 x egg tray, 1 x ice cube tray

**Series 4, free-standing fridge-freezer  
with freezer at bottom, 203 x 60 cm,  
Brushed steel anti-fingerprint  
KGN39VICT**

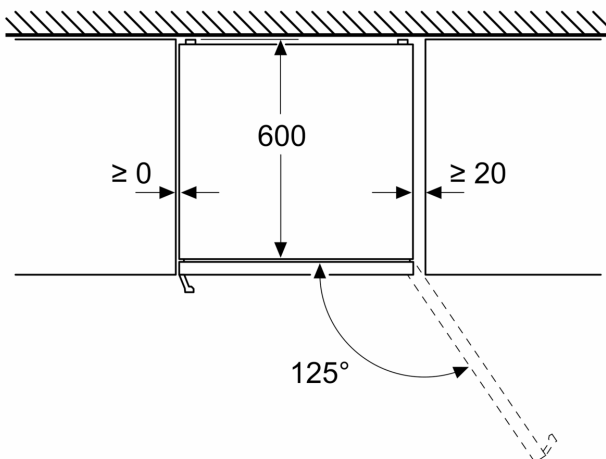
Measurements in mm



Measurements in mm



Measurements in mm



Measurements in mm

