

**Series 6, free-standing fridge-freezer with freezer at bottom, 203 x 60 cm, Stainless steel (with anti-fingerprint) KGN39AIAT**



**Energy Efficiency Class A fridge freezer, with VitaFresh XXL near <0°C> and No Frost for efficient and perfect cooling results under any circumstances.**

- **Energy Efficiency Class A:** save energy whilst cooling quietly, thanks to the most efficient Class A.
- **VitaFresh XXL Pro near 0°C:** climate-controlled compartments lock in freshness and nutrients for longer.
- **Metal Backwall with Multi Airflow:** evenly circulates cool, fresh air to maintain consistent temperatures.
- **Perfect Fit:** place your fridge right next to walls or other appliances to save space.
- **Flex Interior:** adjust the interior of the fridge to your needs thanks to flexible door trays.

**Technical Data**

Energy Efficiency Class: .....	A
Average annual energy consumption in kilowatt hour per year (kWh/a): .....	104 kWh/annum
Sum of volume of frozen compartments: .....	103 l
Sum of volume of chill compartments: .....	260 l
Airborne acoustical noise emissions : .....	29 dB(A) re 1 pW
Airborne acoustical noise emission class: .....	A
Built-in / Free-standing: .....	Free-standing
Door panel options: .....	Not possible
Height: .....	2030 mm
Width of the appliance: .....	600 mm
Depth: .....	665 mm
Net weight: .....	98.9 kg
Fuse protection: .....	10 A
Door hinge: .....	Right reversible
Voltage: .....	220-240 V
Frequency: .....	50 Hz
Length electrical supply cord: .....	210.0 cm
Number of compressors: .....	1
Number of independent cooling systems: .....	2
Interior ventilator: .....	No
Reversible Door Hinge: .....	Yes
Number of Adjustable Shelves in fridge compartment: .....	3
Shelves for Bottles: .....	Yes
Frost free system: .....	Fridge
Installation typology: .....	Free-standing



## **Series 6, free-standing fridge-freezer with freezer at bottom, 203 x 60 cm, Stainless steel (with anti-fingerprint) KGN39AIAT**

**Energy Efficiency Class A fridge freezer, with VitaFresh XXL near <0°C> and No Frost for efficient and perfect cooling results under any circumstances.**

- 
- Twin No Frost (RC + FC), Fridge freezer
  - Standard door Stainless Steel EasyClean

### **Performance and Consumption**

- EU19\_EEK\_D: A
- Total Volume : 363 l
- Net Fridge Volume : 260 l
- Net Freezer Volume : 103 l
- Freezing capacity 24h : 11 kg
- Annual Energy Consumption: 104 kWh/a
- Climate Class: SN-T
- EU19\_Fast freezer facility\_D: yes
- Noise Level : 29 dB
- Temperature rise time : EU19\_Temperature rise time\_D: 21 H

### **Functions**

- Stainless Steel EasyClean doors and Pearl grey (VZF 07127) side panels
- Vertical door handle Vertical door handle
- Bright interior LED fridge light

### **Design features**

- No
- Separate, electronic temperature control with LED display
- Two separate cooling circuits allow independent temperature control and prevents the transference of humidity between the fridge and freezer cavity
- SuperCool function
- Optical and acoustic door open alarm
- Freezer malfunction warning signal: optical and acoustical warning system

### **Design features**

- ChillerBox - recommended storage area for meat and fish
- MultiAirflow system - improves circulation of air around the fridge
- 5 safety glass shelves (3 height adjustable)
- Bottle rack
- Door shelves in fridge door: 1 large and 3 small

### **Freshness System**

- 1 VitaFresh drawer with humidity control - Fruits and vegetables retain vitamins and stay fresh for longer

### **Food freshness system**

- Net freezer capacity: 103 litres
- 3 freezer drawers

### **Dimension and installation**

- Dimensions: 203 cm H x 60 cm W x 66.5 cm D

### **Key features - Fridge section**

- Right hinged door, reversible door
- Height adjustable front feet
- 220 - 240 V
- Length of power cord:210 cm

### **Key features - Freezer section**

- 3 x egg tray, 1 x ice cube tray

### **Country Specific Options**

- Based on the results of the standard 24-hour test. Actual consumption depends on usage/position of the appliance.

### **Design features**

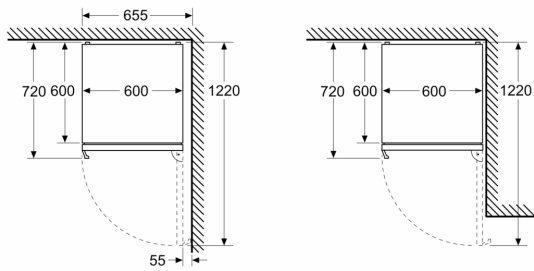
### **Dimension and installation**

### **Additional features**

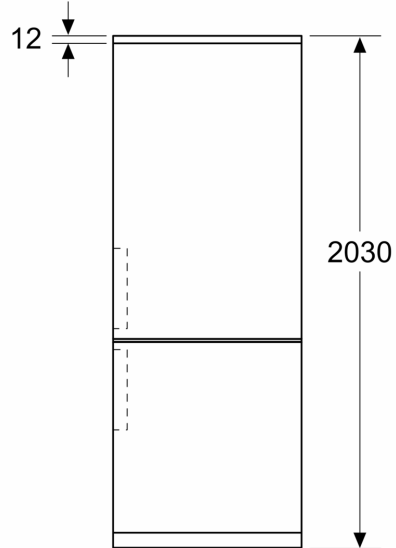
- Dividable glass shelf
- 5 safety glass shelves of which 3 are height adjustable
- SuperFreeze functions with automatic deactivation
- Metal backwall

**Series 6, free-standing fridge-freezer  
with freezer at bottom, 203 x 60 cm,  
Stainless steel (with anti-fingerprint)  
KGN39AIAT**

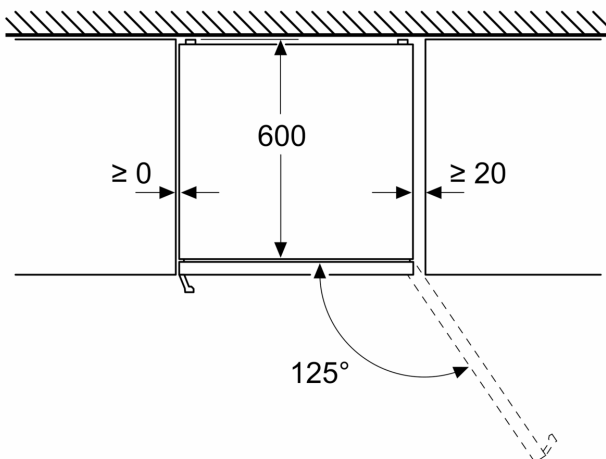
Measurements in mm



Measurements in mm



Measurements in mm



Measurements in mm

