

**IQ500, free-standing
fridge-freezer with freezer at
bottom, 203 x 60 cm, Black
stainless steel
KG39NEXBF**



- ✓ hyperFresh <math><0^{\circ}></math> – More space for fruit and vegetables. Dedicated storage for fish and meat.
- ✓ noFrost – Never defrost your freezer again.
- ✓ Metal backwall with multiAirflow system – Evenly chilled food and drinks on all levels.
- ✓ freezerLight – Brilliant lighting inside your freezer.
- ✓ bottleCooler – Chills and stores your bottled drinks to perfection.

Features

Technical Data

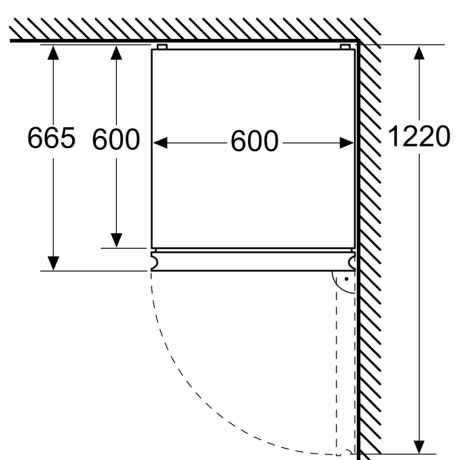
Energy Efficiency Class:	B
Average annual energy consumption in kilowatt hour per year (kWh/a):	129 kWh/annum
Sum of volume of frozen compartments:	103 l
Sum of volume of chill compartments:	260 l
Airborne acoustical noise emissions :	33 dB(A) re 1 pW
Airborne acoustical noise emission class:	B
Built-in / Free-standing:	Freestanding
Door panel options:	Not possible
Height:	2030 mm
Width of the appliance:	600 mm
Dimensions:	665 mm
Weight:	87.4 kg
Fuse protection:	10 A
Door hinge:	Right reversible
Nominal power:	220-240 V
Frequency:	50 Hz
Length electrical supply cord:	226.0 cm
Number of compressors:	1
Number of independent cooling systems:	2
Interior ventilator:	No
Reversible Door Hinge:	Yes
Number of Adjustable Shelves in fridge compartment:	3
Shelves for Bottles:	Yes
Frost free system:	Fridge
Installation type:	Freestanding



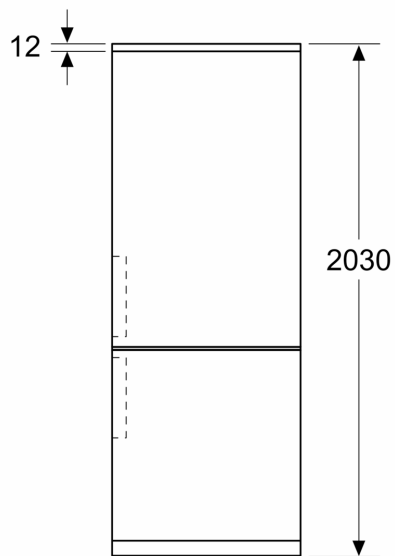
**IQ500, free-standing
fridge-freezer with freezer at
bottom, 203 x 60 cm, Black
stainless steel
KG39NEXBF**

Dimensioned drawings

Measurements in mm



Measurements in mm



Measurements in mm

