

**IQ500, free-standing
fridge-freezer with freezer at
bottom, 203 x 60 cm,
Inox-easyclean
KG39NAIAT**



- ✓ hyperFresh <math><0^{\circ}></math> – More space for fruit and vegetables. Dedicated storage for fish and meat.
- ✓ noFrost – Never defrost your freezer again.
- ✓ Metal backwall with multiAirflow system – Evenly chilled food and drinks on all levels.
- ✓ freezerLight – Brilliant lighting inside your freezer.
- ✓ bottleCooler – Chills and stores your bottled drinks to perfection.

Features

Technical Data

Energy Efficiency Class:	A
Average annual energy consumption in kilowatt hour per year (kWh/a):	104 kWh/annum
Sum of volume of frozen compartments:	103 l
Sum of volume of chill compartments:	260 l
Airborne acoustical noise emissions :	29 dB(A) re 1 pW
Airborne acoustical noise emission class:	A
Built-in / Free-standing:	Freestanding
Door panel options:	Not possible
Height:	2030 mm
Width of the appliance:	600 mm
Dimensions:	665 mm
Weight:	99.4 kg
Fuse protection:	10 A
Door hinge:	Right reversible
Nominal power:	220-240 V
Frequency:	50 Hz
Length electrical supply cord:	210.0 cm
Number of compressors:	1
Number of independent cooling systems:	2
Interior ventilator:	No
Reversible Door Hinge:	Yes
Number of Adjustable Shelves in fridge compartment:	3
Shelves for Bottles:	Yes
Frost free system:	Fridge
Installation type:	Freestanding



IQ500, free-standing fridge-freezer with freezer at bottom, 203 x 60 cm, Inox-easyclean KG39NAIAT

Features

- Standard door Stainless Steel anti-fingerprint
- Fridge freezer

Performance and Consumption

- EU19_EEK_D: A
- Total Volume : 363 l
- Annual Energy Consumption: 104 kWh/a
- EU19_Fast freezer facility_D: yes
- Noise Level : 29 dB

Functions

- Stainless Steel anti-fingerprint doors and Pearl grey (VZF 07127) side panels
- vertical door handle vertical door handle
- LED fridge light with Soft Start
- Metal backwall

Design features

- Electronic control (2 LED chains)
- Twin evaporators allows independent temperature control and ensures there is no transference of humidity between the fridge and freezer cavity.
- Optical and acoustical door open warning system
- superCool function with automatic deactivation
- Automatic defrost in fridge section

Design features

- Net Fridge Volume : 260 l
- 5 safety glass shelves in fridge compartment of which 3 are height adjustable
- Door shelves in fridge door: 1 large and 2 small

Freshness System

- 1 hyperFresh box with integrated humidity control

Food freshness system

- Net Freezer Volume : 103 l
- Freezing capacity 24h : 11 kg
- Temperature rise time : EU19_Temperature rise time_D: 21 H
- 3 freezer drawers

Dimension and installation

- Dimensions: 203 cm H x 60 cm W x 66.5 cm D

Key features - Fridge section

- Right hinged door, door reversible
- Height adjustable front feet
- 220 - 240 V
- Climate Class: SN-T
- Length of power cord:210 cm

Key features - Freezer section

- 3 x egg tray, 2 x ice cube tray

Country Specific Options

- Based on the results of the standard 24-hour test. Actual consumption depends on usage/position of the appliance.

Additional features

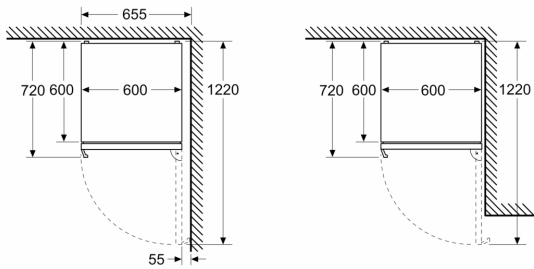
Design features

Dimension and installation

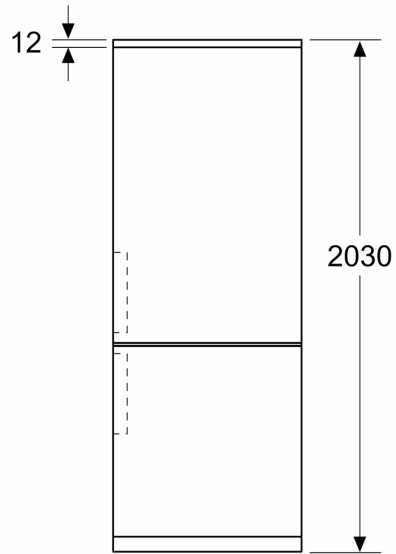
**IQ500, free-standing
fridge-freezer with freezer at
bottom, 203 x 60 cm,
Inox-easyclean
KG39NAIAT**

Dimensioned drawings

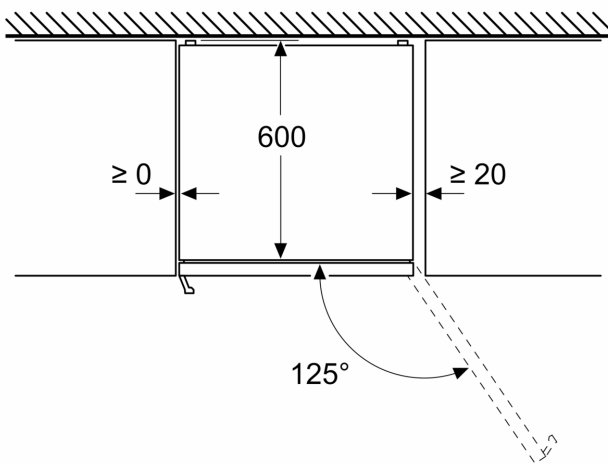
Measurements in mm



Measurements in mm



Measurements in mm



Measurements in mm

