

**IQ300, free-standing
fridge-freezer with freezer at
bottom, 186 x 60 cm, Black
stainless steel
KG36NXXDF**



Bottom freezer with hyperFresh Box to keep fruit and vegetables fresh for longer, plus with noFrost technology you never have to defrost again.

- ✓ bottleRack – Store your bottles safely and within easy reach.
- ✓ superCooling – Reduces the temperature for a set time, to quickly cool down fresh food items.
- ✓ MultiAirflow – Minimal temperature fluctuations for reduced cooling times and longer freshness.
- ✓ safetyGlass shelves – Extra strong and easy to clean.

Features

Technical Data

Energy Efficiency Class:	D
Average annual energy consumption in kilowatt hour per year (kWh/a):	199 kWh/annum
Sum of volume of frozen compartments:	103 l
Sum of volume of chill compartments:	218 l
Airborne acoustical noise emissions :	35 dB(A) re 1 pW
Airborne acoustical noise emission class:	B
Built-in / Free-standing:	Freestanding
Door panel options:	Not possible
Height:	1860 mm
Width of the appliance:	600 mm
Dimensions:	665 mm
Weight:	67.7 kg
Fuse protection:	10 A
Door hinge:	Right reversible
Nominal power:	220-240 V
Frequency:	50 Hz
Length electrical supply cord:	231.0 cm
Number of compressors:	1
Number of independent cooling systems:	2
Interior ventilator:	No
Reversible Door Hinge:	Yes
Number of Adjustable Shelves in fridge compartment:	2
Shelves for Bottles:	Yes
Frost free system:	Fridge
Installation type:	Freestanding



IQ300, free-standing fridge-freezer with freezer at bottom, 186 x 60 cm, Black stainless steel KG36NXXDF

Features

- Twin No Frost (RC + FC), Fridge freezer
- Standard door Black steel - anti-fingerprint finish

Performance and Consumption

- EU19_EEK_D: D
- Total Volume : 321 l
- Net Fridge Volume : 218 l
- Net Freezer Volume : 103 l
- Freezing capacity 24h : 9.5 kg
- Annual Energy Consumption: 199 kWh/a
- Climate Class: SN-T
- EU19_Fast freezer facility_D: yes
- Noise Level : 35 dB
- Temperature rise time : EU19_Temperature rise time_D: 14 H

Functions

- Black steel - anti-fingerprint finish doors and cast iron side panels
- Integrated vertical handle Integrated vertical handle
- LED fridge light with Soft Start

Design features

- Electronic control (2 LED chains)
- Twin evaporators allows independent temperature control and ensures there is no transference of humidity between the fridge and freezer cavity.
- superCool function with automatic deactivation
- Optical and acoustical door open warning system
- Freezer malfunction warning signal: optical and acoustical
- coolBox - recommended storage area for meat and fish
- multiAirflow cooling - improves circulation of air around the fridge
- 4 safety glass shelves of which 2 are height adjustable
- Bottle rack
- Door shelves in fridge door: 1 large and 2 small

Freshness System

- 1 hyperFresh box with integrated humidity control

Food freshness system

- 3 freezer drawers

Dimension and installation

- Dimensions: 186 cm H x 60 cm W x 66.5 cm D

Key features - Fridge section

- Right hinged door, door reversible
- Height adjustable front feet
- 220 - 240 V

Key features - Freezer section

- 3 x egg tray, 2 x ice cube tray
- Freezing capacity in 24 hours: 9.5 kg

- Net freezer capacity: 103 litres
- Maximum freezer storage time in power failure: 14 hours

Country Specific Options

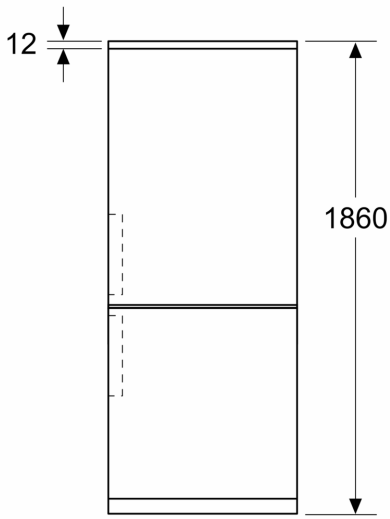
- Based on the results of the standard 24-hour test. Actual consumption depends on usage/position of the appliance.

Additional features

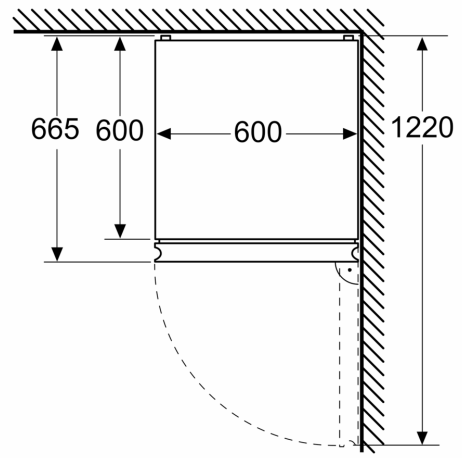
**IQ300, free-standing
fridge-freezer with freezer at
bottom, 186 x 60 cm, Black
stainless steel
KG36NXXDF**

Dimensioned drawings

Measurements in mm



Measurements in mm



Measurements in mm

