

Series 4, French Door Bottom freezer, multi door, 183 x 90.5 cm, Stainless steel (with anti-fingerprint) KFN96VPEAG



This multi door refrigerator with VitaFresh Box: cools very efficiently - thanks to the cooling compartment, your fruits and vegetables stay fresh longer.

- **XXL capacity:** extra space for your food when you need it.
- **Super Cooling:** cools new food placed inside faster, thus protecting already cooled food.
- **Big Box drawer:** for stacking storage containers or for large frozen food items.
- **LED lighting - with soft start, lasts for the lifetime of the appliance.**
- **Multi Airflow System: even air distribution for longer freshness.**

Technical Data

Energy Efficiency Class:	E
Average annual energy consumption in kilowatt hour per year (kWh/a):	333 kWh/annum
Sum of volume of frozen compartments:	200 l
Sum of volume of chill compartments:	405 l
Airborne acoustical noise emissions :	38 dB(A) re 1 pW
Airborne acoustical noise emission class:	C
Built-in / Free-standing:	Free-standing
Door panel options:	Not possible
Height:	1830 mm
Width of the appliance:	905 mm
Depth:	731 mm
Net weight:	117.3 kg
Fuse protection:	10 A
Door hinge:	left and right
Voltage:	220-240 V
Frequency:	50-60 Hz
Length electrical supply cord:	240.0 cm
Number of compressors:	1
Number of independent cooling systems:	1
Interior ventilator:	Yes
Reversible Door Hinge:	No
Number of Adjustable Shelves in fridge compartment:	2
Shelves for Bottles:	No
Frost free system:	Fridge
Installation typology:	Free-standing



Series 4, French Door Bottom freezer, multi door, 183 x 90.5 cm, Stainless steel (with anti-fingerprint) KFN96VPEAG

- Bright interior LED fridge light
- White glossy back wall
- 1 CrisperBox - vegetable/salad container with humidity control

This multi door refrigerator with VitaFresh Box: cools very efficiently - thanks to the cooling compartment, your fruits and vegetables stay fresh longer.

-
- EU19_EEK_D: E
 - Total Volume : 605 l
 - Net Fridge Volume : 405 l
 - Net Freezer Volume : 200 l
 - Freezing capacity 24h : 13 kg
 - Annual Energy Consumption: 333 kWh/a
 - Climate Class: SN-T
 - EU19_Fast freezer facility_D: yes
 - Noise Level : 38 dB
 - Temperature rise time : EU19_Temperature rise time_D: 15 H

Functions

- Bright interior LED fridge light
- Interior design with metal applications

Design features

- Electronic control for fridge and freezer with LED display
- SuperCool function
- Automatic defrost fridge
- Sabbath-Mode
- acoustic for Fridge and Freeze, optical
- Freezer malfunction warning signal: optical, acoustical
- MultiAirflow system - improves circulation of air around the fridge
- 3 safety glass shelves of which 2 are height adjustable, Standard shelf 2 shelves extendable
- 1 dairy compartment in door

Freshness System

- 1 VitaFresh 0 °C drawer - Fish and meat stay fresh for longer

Food freshness system

- 6 freezer drawers
- Ice cube tray
- No Frost

Dimension and installation

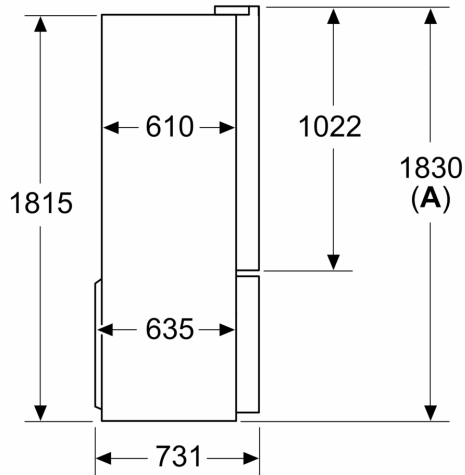
- Dimensions: 183 cm H x 90.5 cm W x 73.1 cm D

Key features - Fridge section

- 4 wheels for easier transport, 3 of them height adjustable.
- To achieve the declared energy consumption, the distanceholders have to be used. As a result, the appliance depth increases by about 3.5 cm. The appliance used without the distance holder is fully functional, but has a slightly higher energy consumption.
- Net 4* compartment volume : 200 l
- 3 safety glass shelves (2 height adjustable)
- Freezer malfunction warning signal: Acoustic Warning System
- 2 removable door storage compartments.

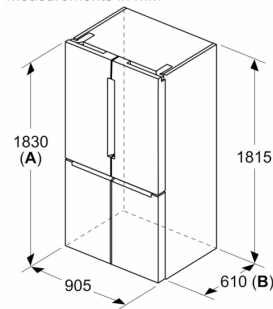
**Series 4, French Door Bottom
freezer, multi door, 183 x 90.5 cm,
Stainless steel (with anti-fingerprint)
KFN96VPEAG**

Measurements in mm



A: Front is adjustable 1830–1847 mm, with front levelling feet fully extended

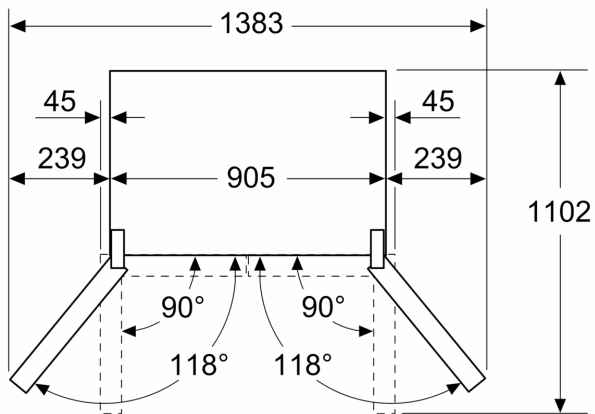
Measurements in mm



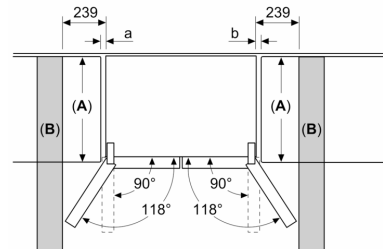
A: Front is adjustable 1830–1847 mm, with front levelling feet fully extended

B: Add 25 mm for fixed spacers on back

Measurements in mm



Measurements in mm



A	a	b
≤ 600	0	0
600 < A ≤ 650	45	45
650 < A ≤ 700	60	60
> 700	239	239

A: Kitchen cabinet or worktop depth

B: Wall
Drawers can be pulled and taken out with door open to 90°