

**Series 4, French Door Bottom freezer, multi door, 183 x 90.5 cm, Stainless steel (with anti-fingerprint) KFN96APEAG**



**This multi door refrigerator with VitaFresh Box: cools very efficiently - thanks to the cooling compartment, your fruits and vegetables stay fresh longer.**

- **Connectivity:** Remotely monitor and control your fridge from your smartphone or tablet.
- **Metal Backwall with Multi Airflow:** evenly circulates cool, fresh air to maintain consistent temperatures.
- **XXL capacity:** extra space for your food when you need it.
- **Big Box drawer:** for stacking storage containers or for large frozen food items.
- **LED lighting - with soft start, lasts for the lifetime of the appliance.**

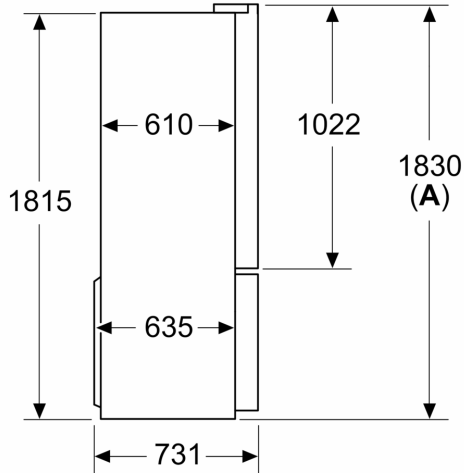
**Technical Data**

Energy Efficiency Class: .....	E
Average annual energy consumption in kilowatt hour per year (kWh/a): .....	333 kWh/annum
Sum of volume of frozen compartments: .....	200 l
Sum of volume of chill compartments: .....	405 l
Airborne acoustical noise emissions : .....	38 dB(A) re 1 pW
Airborne acoustical noise emission class: .....	C
Built-in / Free-standing: .....	Free-standing
Door panel options: .....	Not possible
Height: .....	1830 mm
Width of the appliance: .....	905 mm
Depth: .....	731 mm
Net weight: .....	118.3 kg
Fuse protection: .....	10 A
Door hinge: .....	left and right
Voltage: .....	220-240 V
Frequency: .....	50-60 Hz
Length electrical supply cord: .....	240.0 cm
Number of compressors: .....	1
Number of independent cooling systems: .....	1
Interior ventilator: .....	Yes
Reversible Door Hinge: .....	No
Number of Adjustable Shelves in fridge compartment: .....	3
Shelves for Bottles: .....	No
Frost free system: .....	Fridge
Installation typology: .....	Free-standing



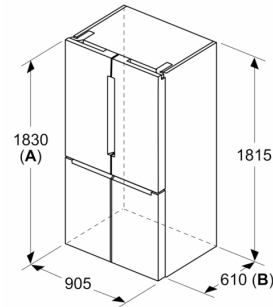
**Series 4, French Door Bottom  
freezer, multi door, 183 x 90.5 cm,  
Stainless steel (with anti-fingerprint)  
KFN96APEAG**

Measurements in mm



**A:** Front is adjustable 1830–1847 mm, with front levelling feet fully extended

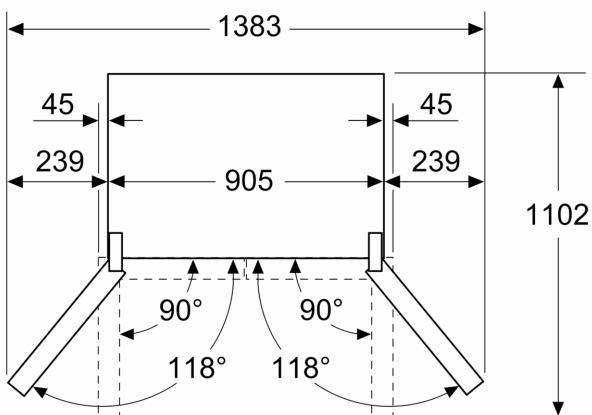
Measurements in mm



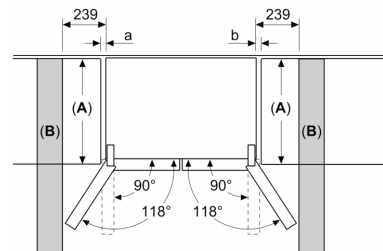
**A:** Front is adjustable 1830–1847 mm, with front levelling feet fully extended

**B:** Add 25 mm for fixed spacers on back

Measurements in mm



Measurements in mm



A	a	b
≤ 600	0	0
600 < A ≤ 650	45	45
650 < A ≤ 700	60	60
> 700	239	239

**A:** Kitchen cabinet or worktop depth

**B:** Wall  
Drawers can be pulled and taken out with door open to 90°