

Series 8, French Door Bottom freezer, multi door, 183 x 90.5 cm, Stainless steel (with anti-fingerprint) KFF96PIEP



The impressive Multi Door model with Vitafresh pro 0°C: keeps your food fresh at 0°C and optimized humidity condition

- **Connectivity:** Remotely monitor and control your fridge from your smartphone or tablet.
- **Metal Backwall with Multi Airflow:** evenly circulates cool, fresh air to maintain consistent temperatures.
- **XXL capacity:** extra space for your food when you need it.
- **LED lighting - with soft start, lasts for the lifetime of the appliance.**
- **Super Cooling: cools new food placed inside faster, thus protecting already cooled food.**

Technical Data

Energy Efficiency Class:	E
Average annual energy consumption in kilowatt hour per year (kWh/a):	333 kWh/annum
Sum of volume of frozen compartments:	171 l
Sum of volume of chill compartments:	402 l
Airborne acoustical noise emissions :	39 dB(A) re 1 pW
Airborne acoustical noise emission class:	C
Built-in / Free-standing:	Free-standing
Door panel options:	Not possible
Height:	1830 mm
Width of the appliance:	905 mm
Depth:	706 mm
Net weight:	153.6 kg
Fuse protection:	10 A
Door hinge:	Other
Voltage:	220-240 V
Frequency:	50-60 Hz
Length electrical supply cord:	240.0 cm
Number of compressors:	2
Number of independent cooling systems:	2
Interior ventilator:	Yes
Reversible Door Hinge:	No
Number of Adjustable Shelves in fridge compartment:	4
Shelves for Bottles:	Yes
Frost free system:	Fridge
Installation typology:	Free-standing



Series 8, French Door Bottom freezer, multi door, 183 x 90.5 cm, Stainless steel (with anti-fingerprint) KFF96PIEP

The impressive Multi Door model with VitaFresh pro 0°C: keeps your food fresh at 0°C and optimized humidity condition

- Twin No Frost (RC + FC), Free-standing-refrigerator >= 3 door

Design features

- Stainless Steel EasyClean doors and chrome inox metallic side panels
- Interior design with metal applications

Functions

- Home Connect: iService Remote, Remote Monitoring and Control with Wi-Fi connectivity
- 3 x 7 segment
- SuperCool function
- Automatic defrost fridge
- Holiday mode - saves energy when you're away a longer period of time, Sabbath-Mode
- Freezer malfunction warning signal: optical and accoustical
- acoustic for Fridge and Freeze, optical
- MultiAirflow system - improves circulation of air around the fridge

Food freshness system

- VitaFresh pro: keeps fruit, vegetables, fish and meat fresh for up to three times as long
- AirFreshFilter with AntiBacterial filter to reduce odours and bacteria

Key features - Fridge section

- Bright interior LED fridge light
- 4 safety glass shelves of which 4 are height adjustable, Dividable glass shelf 2 shelves extendable
- Water dispenser: yes, direct conn.water-tap
- Metal backwall
- Dividable glass shelf
- Door shelves in fridge door: 2 large and 3 small
- flexible bar
- 1 dairy compartment in door
- cartridge for water filtering system
- 4 safety glass shelves (4 height adjustable)
- 2 removable door storage compartments.
- Bright interior LED fridge light

Key features - Freezer section

- Freezer malfunction warning signal: optical and acoustical warning system
- 3 freezer drawers
- In-door ice and water dispenser: chilled water, crushed ice, ice cubes

Dimension and installation

- Dimensions: 183 cm H x 90.5 cm W x 70.6 cm D
- 4 wheels for easier transport, 3 of them height adjustable.

- 220 - 240 V

- Based on the results of the standard 24-hour test. Actual consumption depends on usage/position of the appliance.

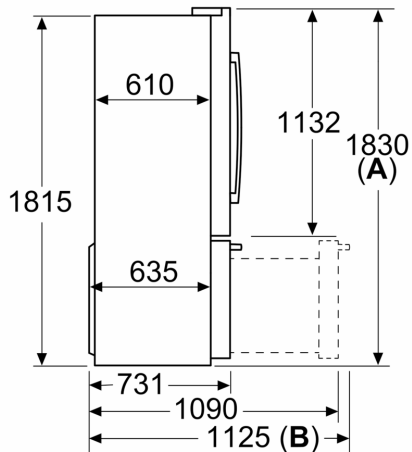
- To achieve the declared energy consumption, the distanceholders have to be used. As a result, the appliance depth increases by about 3.5 cm. The appliance used without the distance holder is fully functional, but has a slightly higher energy consumption.

Performance and Consumption

- EU19_EEK_D: E
- Total Volume : 573 l
- Net Fridge Volume : 402 l
- Net Freezer Volume : 171 l
- Net 4* compartment volume : 171 l
- Freezing capacity 24h : 15 kg
- Annual Energy Consumption: 333 kWh/a
- Climate Class: SN-T
- EU19_Fast freezer facility_D: yes
- Noise Level : 39 dB

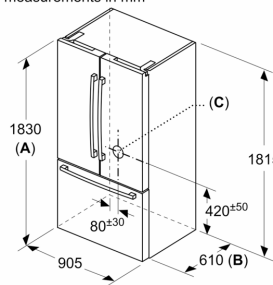
**Series 8, French Door Bottom
freezer, multi door, 183 x 90.5 cm,
Stainless steel (with anti-fingerprint)
KFF96PIEP**

measurements in mm



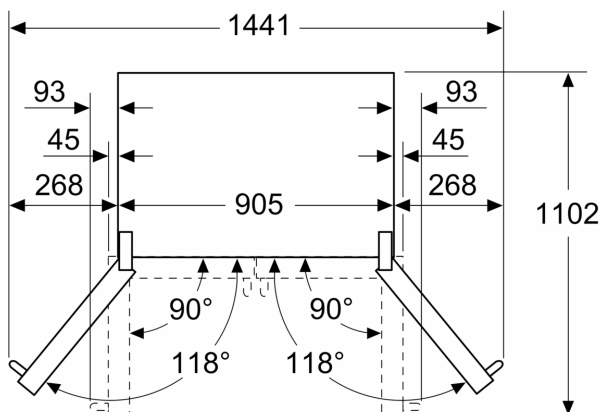
A: Front is adjustable from 1830 to 1847,
with front levelling feet fully extended
B: With handle

measurements in mm

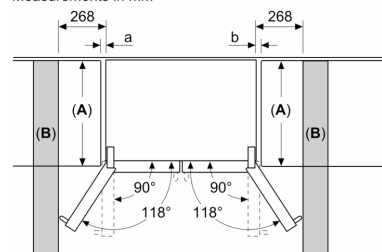


A: Front is adjustable from 1830 to 1847,
with front levelling feet fully extended
B: Add 25 for fixed spacers on back
C: Water connection position

Measurements in mm



Measurements in mm



A	a	b
≤ 600	3	3
600 < A ≤ 650	45	45
650 < A ≤ 700	60	60
> 700	268	268

A: Kitchen cabinet or worktop
depth

B: Wall
Drawers can be pulled and taken
out with door open to 90°