

**Series 4, American side by side, 175.6 x 91.2 cm, Stainless steel (with anti-fingerprint)
KAN92VI35**



Included accessories

1 x egg tray

A++

The NoFrost side-by-side fridge-freezer with indoor electronics: saves you from defrosting.

- **VitaFresh:** vitamin rich fruit & vegetables stay fresh for longer in a climate controlled drawer.
- **XXL capacity:** extra space for your food when you need it.
- **LED lighting** - with soft start, lasts for the lifetime of the appliance.
- **Big Box drawer:** for stacking storage containers or for large frozen food items.
- **EasyAccess Shelf:** pull-out glass shelf gives you better access to the contents of your fridge.

Technical Data

Built-in / Free-standing : Free-standing

Door panel options : Not possible

Height : 1756 mm

Appliance Width : 912 mm

Depth : 732 mm

Net weight : 109.0 kg

Connection Rating : 190 W

Fuse protection : 10 A

Door hinge : left and right

Voltage : 220-240 V

Frequency : 50-60 Hz

Approval certificates : CE, Morocco, VDE

Length electrical supply cord : 240 cm

Storage Period in Event of Power Failure (h) : 12 h

Number of compressors : 1

Number of independent cooling systems : 2

Interior ventilator : No

Reversible Door Hinge : No

Number of Adjustable Shelves in fridge compartment : 3

Shelves for Bottles : No

EAN code : 4242002811215

Brand : Bosch

Product name / Commercial code : KAN92VI35

Energy efficiency rating : A++

Energy consumption annual - NEW (2010/30/EC) : 389.00 kWh/annum

Refrigerator Net capacity - NEW (2010/30/EC) : 387 l

Freezer Net capacity - NEW (2010/30/EC) : 217 l

Freezing capacity) - NEW (2010/30/EC) : 12 kg/24h

Climate class : SN-T

Noise level : 43 dB(A) re 1 pW

Installation typology : N/A

Included accessories : 1 x egg tray



Series 4, American side by side, 175.6 x 91.2 cm, Stainless steel (with anti-fingerprint) KAN92VI35

The NoFrost side-by-side fridge-freezer with indoor electronics: saves you from defrosting.

Performance

Design features

- Interior design with metal applications
- Plastic Integrated vertical handle
- No Frost
- Automatic defrost fridge
- Two separate cooling circuits allow independent temperature control and prevents the transference of humidity between the fridge and freezer cavity
- MultiAirflow system - improves circulation of air around the fridge
- Bright interior LED fridge light
- Removable magnetic door seals - easy to clean
- Optical and acoustic door open alarm
- Freezer malfunction warning signal: optical and accoustical

Freshness System

Additional features

- 4 safety glass shelves in fridge compartment of which 3 are height adjustable
- Left hinged, Right hinged door
- Height adjustable front feet

Functions

- Separate, electronic temperature control with LED display
- SuperCool function
- SuperFreezing function with automatic deactivation
- Freezer malfunction warning signal: optical and acoustical warning system
- Holiday mode - saves energy when you're away a longer period of time

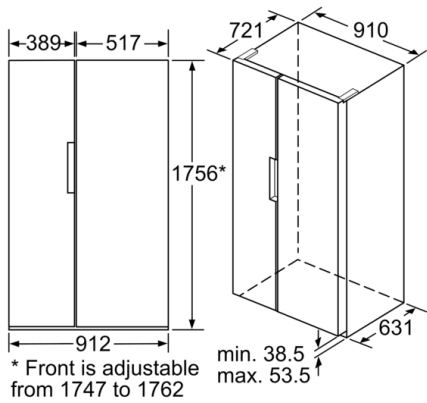
Key features - Fridge section

- 1 VitaFresh drawer with humidity control - Fruits and vegetables stay fresh and vitamin-rich for longer.
- 1 MultiBox drawer on telescopic rails - Transparent drawer with a corrugated bottom, ideal for storing fruits and vegetables.
- Door shelves in fridge door: 2 large and 2 small
- 3 x egg tray
- 1 dairy compartment in door
- Bright interior LED fridge light

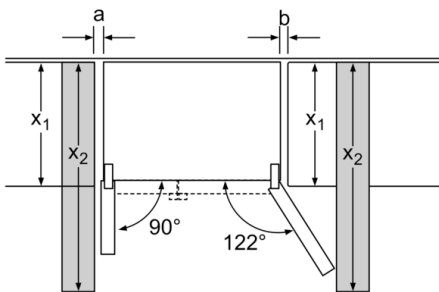
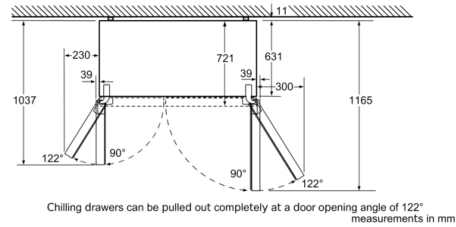
Key features - Freezer section

- 2 freezer drawers, drawers on telescopic rails (partially extendable)
- Twist ice dispenser in freezer
- Door trays in freezer door: 5
- To achieve the declared energy consumption, the distanceholders have to be used. As a result, the appliance depth increases by about 3.5 cm. The appliance used without the distance holder is fully functional, but has a slightly higher energy consumption.
- Dimensions: 175.6 cm H x 91.2 cm W x 73.2 cm D

Series 4, American side by side, 175.6 x 91.2 cm, Stainless steel (with anti-fingerprint) KAN92VI35



measurements in mm



x_1 (unit depth)	a	b
600	39	39
650	39	53
700	39	85
x_2 (wall)	39	300

measurements in mm