

## iQ700, 175.6 x 91.2 cm, Black KA92NLB35



A++



### Included accessories

- 2 x cold accumulator
- 1 x egg tray

- ✓ The hyperFresh plus Box with adjustable humidity keeps fruit and vegetables fresh for longer.
- ✓ noFrost technology prevents icing and frosting so you never have to defrost again.
- ✓ The LED lights up the interior brightly and evenly, with softStart.
- ✓ Plenty of space for weekly shopping thanks to extra high capacity.
- ✓ The iceTwister for ice cubes on demand. Easy to refill.

### Features

#### Technical Data

Built-in / Free-standing : Free-standing  
 Door panel options : Not possible  
 Height (mm) : 1756  
 Appliance Width (mm) : 912  
 Depth (mm) : 732  
 Net weight (kg) : 137.729  
 Connection Rating (W) : 190  
 Current (A) : 10  
 Door hinge : left and right  
 Voltage (V) : 220-240  
 Frequency (Hz) : 50-60  
 Approval certificates : CE, Eurasian, VDE  
 Length electrical supply cord (cm) : 240  
 Storage Period in Event of Power Failure (h) : 12  
 Number of compressors : 1  
 Number of independent cooling systems : 2  
 Interior ventilator : No  
 Reversible Door Hinge : No  
 Number of Adjustable Shelves in fridge compartment : 3  
 Shelves for Bottles : Yes  
 EAN code : 4242003680216  
 Brand : Siemens  
 Product name / Commercial code : KA92NLB35  
 Energy efficiency rating : A++  
 Energy consumption annual (kWh/annum) - NEW (2010/30/EC) : 385.00  
 Refrigerator Net capacity (l) - NEW (2010/30/EC) : 375  
 Freezer Net capacity (l) - NEW (2010/30/EC) : 217  
 Frost free system : Fridge and freezer  
 Temperature rise time (h) : 12  
 Freezing capacity (kg/24h) - NEW (2010/30/EC) : 12  
 Climate class : SN-T  
 Noise level (dB(A) re 1 pW) : 43  
 Installation typology : N/A



## iQ700, 175.6 x 91.2 cm, Black KA92NLB35

### Features

#### Performance

- Energy consumption: 385 kWh/kWh/yr.
- Total net capacity: 592 litres
- Net fridge capacity: 375 litres
- Net freezer capacity: 202 litres
- Noise level dB(A) re 1 pW: 43
- Climate class SN-T (suitable for ambient temperatures between 10 to 43°C)

#### Design features

- Twist ice dispenser in freezer
- Plastic Integrated vertical handle
- NoFrost
- Automatic defrost in fridge section
- Twin evaporators allows independent temperature control and ensures there is no transference of humidity between the fridge and freezer cavity.
- Bright interior LED fridge light
- Removable magnetic door seals - easy to clean
- Optical and acoustical door open warning system
- Freezer malfunction warning signal: Optical and acoustical

#### Freshness System

- multiAirflow cooling - improves circulation of air around the fridge, coolBox - recommended storage area for meat and fish

#### Additional features

- 4 safety glass shelves in fridge compartment of which 3 are height adjustable
- 4 removable safety glass shelves of which 3 are height adjustable. 1 x Easy Access extendable glass shelf 1 easyLift glass shelf, 1 bottle rack
- Left hinged, Right hinged door
- Height adjustable front feet

#### Functions

- Electronic control (2 LED chains)
- superCool function with automatic deactivation
- superFreeze function with automatic deactivation
- Freezer malfunction warning signal: optical and acoustical

#### Key features - Fridge section

- coolBox - extra cold fridge drawer. Ideal to store meat and fish. 1 x hydroFresh drawer - humidity controlled vegetable/salad container on telescopic rails for prolonged storage 1 x humidity controlled vegetable/salad drawers on telescopic rails
- 2 removable door storage compartments.
- Door shelves in fridge door: 2 large and 3 small
- 3 x egg tray, 2 x cold accumulator
- 1 dairy compartment in door
- Bright interior LED fridge light

#### Key features - Freezer section

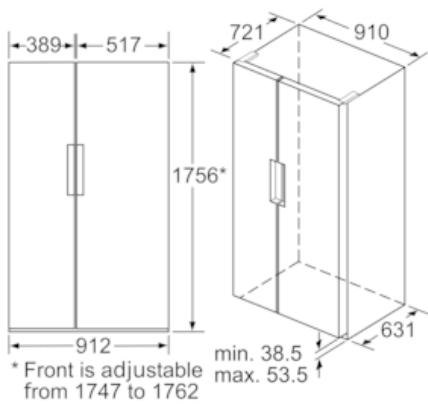
- 2 freezer drawers, partially extendable
- Freezing capacity in 24 hours: 12 kg
- Maximum freezer storage time in power failure: 12 hours
- Door trays in freezer door: 5
- To achieve the declared energy consumption, the attached distanceholders have to be used. As a result, the appliance depth increases by about 3.5 cm. The appliance used without the

distance holder is fully functional, but has a slightly higher energy consumption.

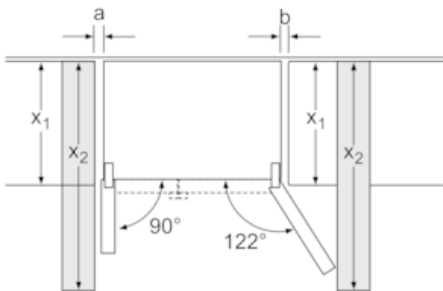
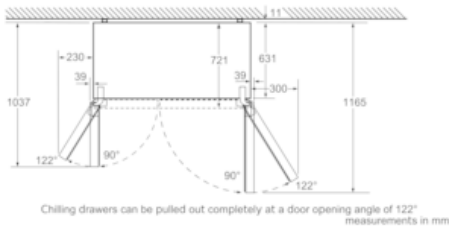
- Dimensions: 175.6 cm H x 91.2 cm W x 73.2 cm D

**iQ700, 175.6 x 91.2 cm, Black  
KA92NLB35**

Dimensioned drawings



measurements in mm



$x_1$ (unit depth)	a b	
600	39	39
650	39	53
700	39	85
$x_2$ (wall)	39	300

measurements in mm