

IQ700, Built-in oven with steam function, 60 x 60 cm, Black HS956GCB1B



A+



Shorten your cooking time thanks to fast preheat and coolStart. And remote your oven from anywhere with Home Connect.

- ✓ TFT-Touchdisplay Plus – Smooth-touch navigation for simple and intuitive operation.
- ✓ cookControl Pro – Excellent results, whatever the recipe or circumstances.
- ✓ Oven Assistant with Voice Control – Intuitively set the right programme.
- ✓ Far less oven cleaning – ecoClean Plus.
- ✓ humidClean Plus - For fast cleaning dirt is softened beforehand by vaporizing soapy water. It can then be removed more easily.

Features

Technical Data

Built-in / Free-standing: Built-in
 Door opening: Drop down
 Min. required niche size for installation (HxWxD): 585-595 x 560-568 x 550 mm
 Dimensions: 595 x 594 x 548 mm
 Dimensions of the packed product (HxWxD): ... 690 x 660 x 680 mm
 Control Panel Material: Glass
 Door Material: Glass
 Weight: 43.4 kg
 Length electrical supply cord: 120.0 cm
 EAN code: 4242003902677
 Fuse protection: 16 A
 Nominal power: 220-240 V
 Frequency: 50; 60 Hz
 Plug type: no plug (electrical connection by electrician)
 Number of cavities (2010/30/EC): 1
 Usable volume (of cavity) - NEW (2010/30/EC): 71 l
 Energy efficiency rating: A+
 Energy consumption per cycle conventional (2010/30/EC): 0.87 kWh/cycle
 Energy consumption per cycle forced air convection (2010/30/EC): 0.69 kWh/cycle
 Energy efficiency index (2010/30/EC): 81.2 %
 Included accessories: 2 x grid, 1 x universal pan, 1 x steam container, punched, size XL, 1 x sponge, 1 x Steam container, punched, size M, 1 x Steam container, unpunched, size M



Included accessories

2 x grid, 1 x universal pan, 1 x steam container, size XL, 1 x sponge, punched, 1 x Steam container, unpunched, size M

Optional accessories

HZ32WA00 Wireless food thermometer, HZ530000 2 multipurpose pans, slim size, HZ531010 Baking tray, non-stick ceramic coated, HZ532010 Universal pan, non-stick ceramic coated, HZ617000 Pizza pan, enamelled, HZ629070 Air Fry & Grill tray, HZ631070 Baking tray, enamelled, HZ632070 Multipurpose pan, enamelled, HZ633001 Lid for professional pan, enamelled, HZ633070 Professional pan, enamelled, HZ633073 Professional pan, enamelled, HZ66X650 Cover Strip, HZ6BMA00 Assembly kit for vertical installation, HZ915003 Glass roasting dish, 5,4 L, HZ635000 AirFry & Grill Set, HZ638D00 Full ext rails, level independent, steam, HZ664000 Baking and roasting grid (steam), HZ66D52 2 steamcontainer(punched/unpunched)sizeM

IQ700, Built-in oven with steam function, 60 x 60 cm, Black HS956GCB1B

Features

Features

- Combi-steam oven with 22 heating methods: conventional, full width grill, half width grill, coolStart, bottom heat, low temperature cooking, keep warm, plate warming, Conventional heat gentle, steam, reheating with steam, Dough proving, defrost, sous-vide cooking, Hot air grilling, warming, 4D Hot air, Conventional heat
- Temperature range 30 °C - 250 °C
- 120 °C
- Cavity volume: 71 litres

Level independent telescopic rails

- 5 shelf positions
- 1 varioClip rail, full extension, Stop function

Design

- studioLine Black Steel Design
- Touch control
- studioLine Glass handle
- Cavity inner surface: enamel anthracite

Cleaning

- side: coating of ceiling, back panel, side liners
- hydrolyse program, ecoClean programme
- Full glass inner door

Programmes/functions

- Oven Assistant with Voice Control
- SE62
- Electronic oven clock timer
- Automatic temperature proposal
- Actual temperature display Heating-up indicator meat probe
- Drop down oven door, softClose, softOpen
- cookControl Plus
- Fast pre-heat
- coolStart
- steam boost - add for 3min intensive steam with a touch of a button.
- There are different steam intensities selectable: steam level high, steam level middle, steam level low
- LED light, Light on/off when door opened/closed
- Tank empty indicator
- Location of water tank: Outside cavity
- Integral cooling fan
- WLAN - Home connect enabled

Accessories

- 1 x Steam container, punched, size M, 1 x Steam container, unpunched, size M, 2 x grid, 1 x sponge, 1 x steam container, punched, size XL, 1 x universal pan

Features

- Heat reflective glass
- Control panel lock
- Automatic safety switch off Residual heat indicator Start button Door

contact switch

Technical information

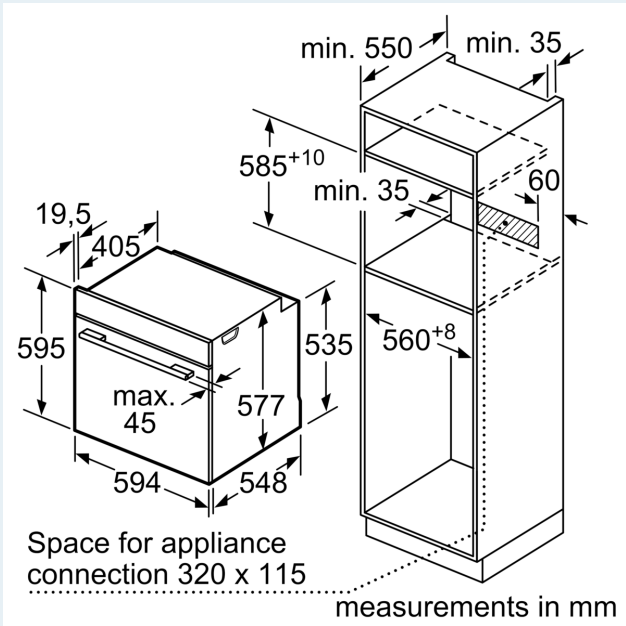
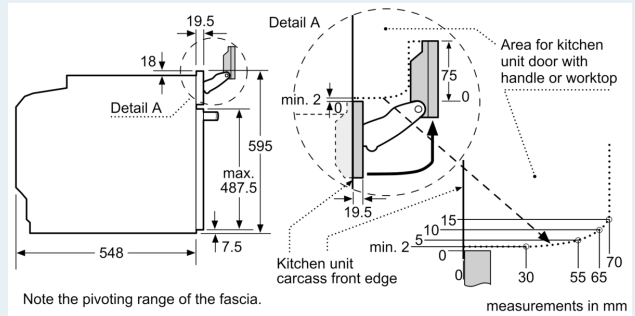
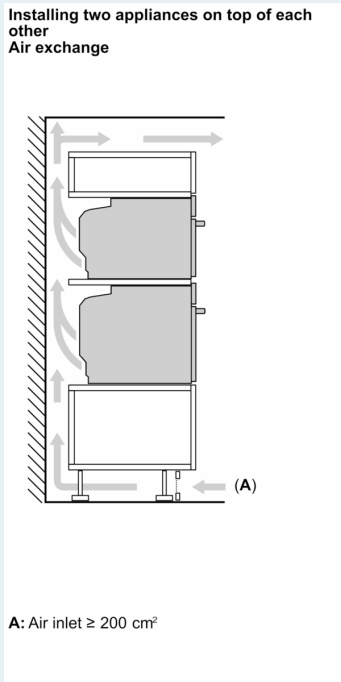
- 120 cm Cable length
- Nominal voltage: 220 - 240 V
- Total connected load electric: 3.6 KW
- Energy efficiency rating (acc. EU Nr. 65/2014): A+
- Energy consumption per cycle in conventional mode:0.87 kWh
- Energy consumption per cycle in fan-forced convection mode:0.69 kWh
- Number of cavities: Main cavity Heat source: electrical Cavity volume:71 litres

Performance/technical information

- Appliance dimension (hxwxh): 595 mm x 594 mm x 548 mm
- Niche dimension (hxwxh): 585 mm - 595 mm x 560 mm - 568 mm x 550 mm
- Please refer to the dimensions provided in the installation manual

IQ700, Built-in oven with steam function, 60 x 60 cm, Black HS956GCB1B

Dimensioned drawings



If the appliance will be installed underneath a hob, the following worktop thicknesses (including substructure if necessary) must be taken into account.

Hob type	min. worktop thickness	
	fitted	flush
Induction hob	37 mm	38 mm
Full surface Induction hob	47 mm	48 mm
Gas hob	30 mm	38 mm
Electric hob	27 mm	30 mm

Dimensioned drawings

