

**Series 4, Built-in oven with added steam function, 60 x 60 cm, Stainless steel
HRS574BS0B**



Included accessories

1 x combination grid, 1 x universal pan, 2 x Universal pan, slim size

Optional accessories

HEZ327000 Pizza stone, HEZ32WA00 Wireless food thermometer, HEZ530000 Half tray, HEZ531010 Baking tray, non-stick ceramic coated, HEZ532010 Universal pan, non-stick ceramic coated, HEZ538000 1fold telescopic rail, level independent, HEZ617000 Pizza pan, enamelled, HEZ629070 Air Fry & Grill tray, HEZ631070 Baking tray, enamelled, HEZ632070 Multipurpose pan, enamelled, HEZ633001 Lid for professional pan, enamelled, HEZ633070 Professional pan, enamelled, HEZ634000 Baking and roasting grid (standard), HEZ636000 Glass pan, HEZ638000 Full ext rails, level independent, HEZ660050 Cover Strip, HEZ664000 Baking and roasting grid (steam), HEZ915003 Glass roasting dish, 5,4 L

The built-in oven with added steam: achieve delicious baking results thanks to hotair steam heating mode.

- **3D Hotair:** even heat distribution for perfect results on up to three levels.
- **AutoPilot 10:** every dish is a perfect success thanks to 10 pre-set automatic programmes.
- **Red LED display control:** easy-to-use thanks to clear time display.
- **Pop-out controls:** Make the front of the oven easy to clean and give it a sleek look.
- **Pyrolytic self-cleaning:** Automatically cleans the oven, just wipe out the ash.

Technical Data

Built-in / Free-standing: Built-in
 Integrated Cleaning system: Pyrolytic+Hydrolytic
 Min. required niche size for installation (HxWxD): 585-595 x 560-568 x 550 mm
 Dimensions: 595 x 594 x 548 mm
 Dimensions of the packed product (HxWxD): 675 x 660 x 690 mm
 Control Panel Material: Stainless steel
 Door Material: Glass
 Net weight: 39.1 kg
 Usable volume (of cavity) - cavity 1: 71 l
 Cooking method: Full width grill, Hotair gentle, Hot Air, Conventional heat, Pizza setting, Bottom heat, Hot air grilling
 Oven control: electronic
 Number of interior lights: 1
 Length electrical supply cord: 120.0 cm
 EAN code: 4242005294442
 Number of cavities (2010/30/EC): 1
 Energy efficiency rating: A
 Energy consumption per cycle conventional (2010/30/EC): 0.99 kWh/cycle
 Energy consumption per cycle forced air convection (2010/30/EC): 81 kWh/cycle
 Energy efficiency index (2010/30/EC): 95.3 %
 Connection rating: 2990 W
 Fuse protection: 13 A
 Voltage: 220-240 V
 Frequency: 50; 60 Hz
 Plug type: no plug (electrical connection by electrician)
 Included accessories: 1 x combination grid, 1 x universal pan, 2 x Universal pan, slim size



Series 4, Built-in oven with added steam function, 60 x 60 cm, Stainless steel HRS574BS0B

**The built-in oven with added steam:
achieve delicious baking results thanks to
hotair steam heating mode.**

- Niche dimension (hxwx): 585 mm - 595 mm x 560 mm - 568 mm x 550 mm
- Please refer to the dimensions provided in the installation manual
- We recommend you to choose complementary products within SER4, in order to assure an optimal design combination of your Built-In appliances.

Design

- Rotary dial, Retractable control dials, round
- LED-display control (red)
- Electronic clock timer
- Extra large capacity oven with grey enamel
- Straight bar handle
- Interior halogen light, Light on/off when oven door opened/closed
- 5 shelf positions
- Cavity volume: 71 litre capacity

Features

- Heating-up indicator
- AutoPilot Automatic start
- Electronic door lock
- Control panel lock Automatic safety switch off
- AutoPilot, 10
- Automatic programmes
- Water bowl with a volume of 250 ml
- Integral cooling fan
- Maximum window temperature 30° C
- Low door temperature during pyrolytic cleaning

Cleaning

- Pyrolytic self-cleaning function
- Cleaning Assistance: hydrolyse manual
- Full glass inner door

Programmes/functions

- Oven with 8 heating methods: 3D Hotair, conventional top and bottom heat, Hotair grilling, full width variable grill, pizza function, bottom heat, Hotair gentle, hot air and steam combined
- Temperature range 50 °C - 275 °C
- Fast pre-heating function

Accessories

- 1 x combination grid, 1 x universal pan, 2 x Universal pan, slim size

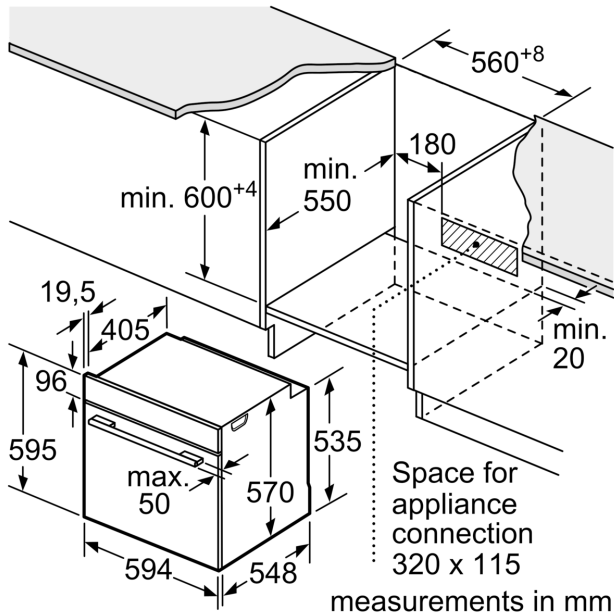
Technical information

- Energy efficiency rating (acc. EU Nr. 65/2014): A
- Energy consumption per cycle in conventional mode:0.99 kWh
- Energy consumption per cycle in fan-forced convection mode:0.81 kWh
- Number of cavities: Main cavity Heat source: electrical Cavity volume:71 litre capacity
- 120 cm Cable length
- Nominal voltage: 220 - 240 V
- Total connected load electric: 2.99 KW

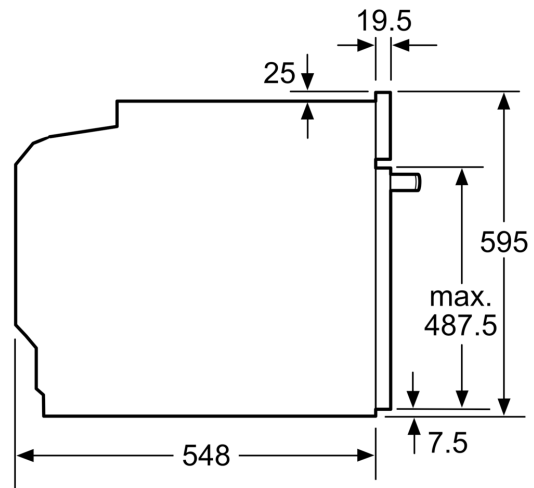
Performance/technical information

- Appliance dimension (hxwx): 595 mm x 594 mm x 548 mm

Series 4, Built-in oven with added steam function, 60 x 60 cm, Stainless steel
HRS574BS0B

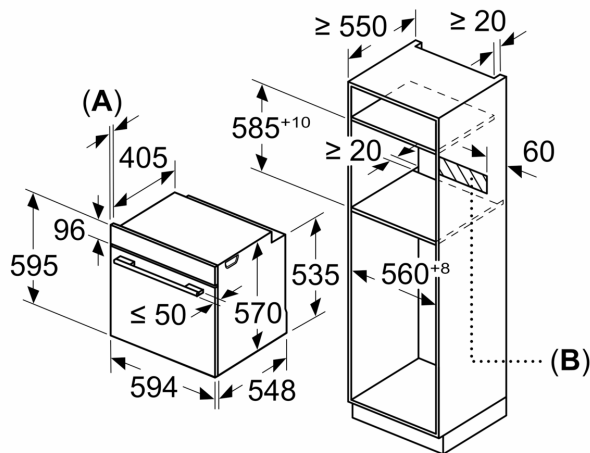


measurements in mm



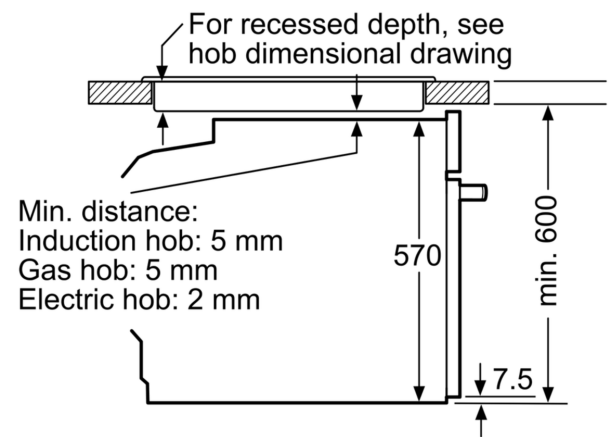
measurements in mm

Measurements in mm



A: 19.5 mm
B: Space for appliance connection 320 x 115 mm

Installation with a hob.



Min. distance:
 Induction hob: 5 mm
 Gas hob: 5 mm
 Electric hob: 2 mm

measurements in mm