

**Series 4, Built-in oven with added steam function, 60 x 60 cm, Stainless steel  
HRS534BS0B**



**Included accessories**

2 x combination grid, 1 x universal pan, 2 x Universal pan, slim size

**Optional accessories**

HEZ327000 Pizza stone, HEZ32WA00 Wireless food thermometer, HEZ530000 Half tray, HEZ531010 Baking tray, non-stick ceramic coated, HEZ532010 Universal pan, non-stick ceramic coated, HEZ538000 1fold telescopic rail, level independent, HEZ617000 Pizza pan, enamelled, HEZ629070 Air Fry & Grill tray, HEZ631070 Baking tray, enamelled, HEZ632070 Multipurpose pan, enamelled, HEZ633001 Lid for professional pan, enamelled, HEZ633070 Professional pan, enamelled, HEZ636000 Glass pan, HEZ638000 Full ext rails, level independent, HEZ660050 Cover Strip, HEZ664000 Baking and roasting grid (steam), HEZ915003 Glass roasting dish, 5,4 L, HEZ634000 Baking and roasting grid (standard)

**The built-in oven with added steam: achieve delicious baking results thanks to hotair steam heating mode.**

- **3D Hotair:** even heat distribution for perfect results on up to three levels.
- **Red LED display control:** easy-to-use thanks to clear time display.
- **Pop-out controls:** Make the front of the oven easy to clean and give it a sleek look.
- **EcoClean Direct:** less cleaning effort thanks to a special coating of the rear wall that automatically absorbs grime.
- **Cleaning Assistance:** less cleaning effort thanks to the new cleaning option, which can be especially used for cleaning of light soiling.

**Technical Data**

Built-in / Free-standing: ..... Built-in  
 Integrated Cleaning system: ..EcoClean Direct programme, Hydrolytic Min. required niche size for installation (HxWxD): 585-595 x 560-568 x 550 mm  
 Dimensions: ..... 595 x 594 x 548 mm  
 Dimensions of the packed product (HxWxD): ..... 675 x 660 x 690 mm  
 Control Panel Material: ..... Stainless steel  
 Door Material: ..... Glass  
 Net weight: ..... 33.5 kg  
 Usable volume (of cavity) - cavity 1: ..... 71 l  
 Cooking method: Full width grill, Hotair gentle, Hot Air, Conventional heat, Pizza setting, Bottom heat, Hot air grilling  
 Oven control: ..... mechanical  
 Number of interior lights: ..... 1  
 Length electrical supply cord: ..... 120.0 cm  
 EAN code: ..... 4242005294435  
 Number of cavities (2010/30/EC): ..... 1  
 Energy efficiency rating: ..... A  
 Energy consumption per cycle conventional (2010/30/EC): ..... 0.97 kWh/cycle  
 Energy consumption per cycle forced air convection (2010/30/EC): 0.81 kWh/cycle  
 Energy efficiency index (2010/30/EC): ..... 95.3 %  
 Connection rating: ..... 2800 W  
 Fuse protection: ..... 13 A  
 Voltage: ..... 220-240 V  
 Frequency: ..... 50; 60 Hz  
 Plug type: ..... no plug (electrical connection by electrician)  
 Included accessories: ..... 2 x combination grid, 1 x universal pan, 2 x Universal pan, slim size



## **Series 4, Built-in oven with added steam function, 60 x 60 cm, Stainless steel**

### **HRS534BS0B**

**The built-in oven with added steam: achieve delicious baking results thanks to hotair steam heating mode.**

---

#### **Design**

- Rotary dial, Retractable control dials, round
- Extra large capacity oven with grey enamel
- LED-Display Control (Red)
- Electronic clock timer
- Straight bar handle
- 5 shelf positions
- Cavity volume: 71 litre capacity

#### **Features**

- Control panel lock
- Heating-up indicator
- Automatic start
- Interior halogen light
- Water bowl with a volume of 250 ml
- Integral cooling fan

#### **Cleaning**

- EcoCleanDirect : back panel
- Cleaning Assistance: hydrolyse manual
- Full glass inner door

#### **Programmes/functions**

- Oven with 8 heating methods: 3D Hotair, conventional top and bottom heat, Hotair grilling, full width variable grill, pizza function, bottom heat, Hotair gentle, hot air and steam combined
- Temperature range 50 °C - 275 °C
- Fast pre-heating function

#### **Accessories**

- 2 x combination grid, 1 x universal pan, 2 x Universal pan, slim size

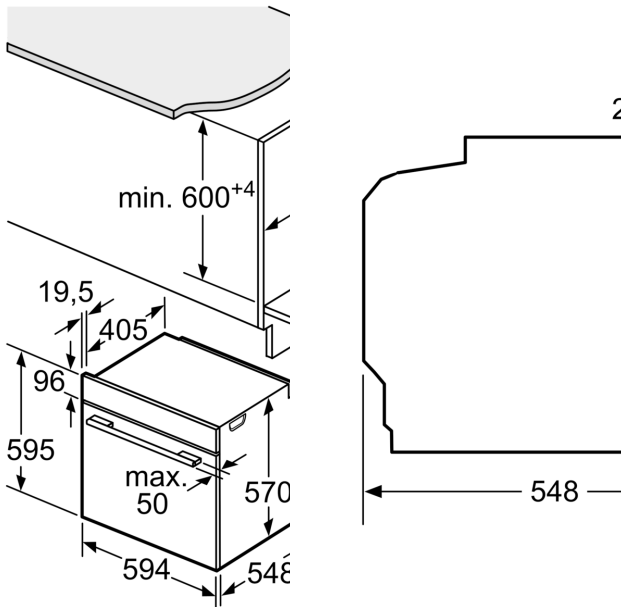
#### **Technical information**

- Energy efficiency rating (acc. EU Nr. 65/2014): A
- Energy consumption per cycle in conventional mode:0.97 kWh
- Energy consumption per cycle in fan-forced convection mode:0.81 kWh
- Number of cavities: Main cavity Heat source: electrical Cavity volume:71 litre capacity
- 120 cm Cable length
- Nominal voltage: 220 - 240 V
- Total connected load electric: 2.8 KW

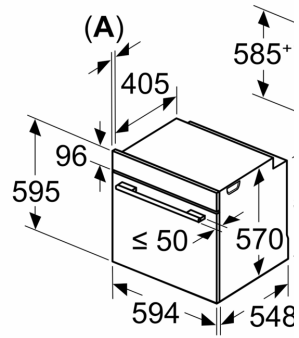
#### **Performance/technical information**

- Appliance dimension (hxwxh): 595 mm x 594 mm x 548 mm
- Niche dimension (hxwxh): 585 mm - 595 mm x 560 mm - 568 mm x 550 mm
- Please refer to the dimensions provided in the installation manual
- We recommend you to choose complementary products within SER4, in order to assure an optimal design combination of your Built-In appliances.

**Series 4, Built-in oven with added steam function, 60 x 60 cm, Stainless steel**  
**HRS534BS0B**

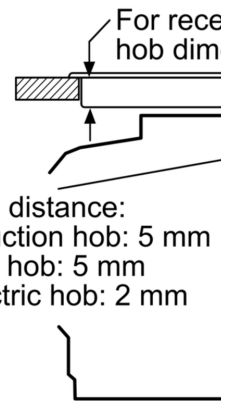


Measurements in mm



**A:** 19.5 mm  
**B:** Space for appliance  
 115 mm

Installation with a hob



Min. distance:  
 Induction hob: 5 mm  
 Gas hob: 5 mm  
 Electric hob: 2 mm