

**Series 8, Built-in oven with added steam function, 60 x 60 cm, Stainless steel**  
**HRG675BS1B**

A+



- **Added Steam:** your foods turn out crispy on the outside and juicy on the inside.
- **4D Hotair:** even heat distribution for perfect results – on any level.
- **AutoPilot 20:** every dish is a perfect success thanks to 20 pre-set automatic programmes.
- **TFT display control:** easy-to-use thanks to the control ring with full text and symbols.
- **Pyrolytic self-cleaning:** Automatically cleans the oven, just wipe out the ash.

**Technical Data**

Color / Material Front : Stainless steel  
 Built-in / Free-standing : Built-in  
 Integrated Cleaning system : Pyrolytic+Hydrolytic  
 Min. required niche size for installation (HxWxD) : 585-595 x 560-568 x 550 mm  
 Dimensions : 595 x 594 x 548 mm  
 Dimensions of the packed product (HxWxD) : 670 x 680 x 670 mm  
 Control Panel Material : Stainless steel  
 Door Material : Glass  
 Net weight : 40.5 kg  
 Usable volume (of cavity) - cavity 1 : 71 l  
 Cooking method : , 4D Hotair, Bottom heat, Conventional heat, Defrost, Full width grill, Half width grill, Hot Air-Eco, Hot air grilling, low temperature cooking, Pizza setting, pre-heating, warming  
 Oven control : electronic  
 Number of interior lights : 1  
 Length electrical supply cord : 120 cm  
 EAN code : 4242005131464  
 Number of cavities (2010/30/EC) : 1  
 Energy efficiency rating : A+  
 Energy consumption per cycle conventional (2010/30/EC) : 0.87 kWh/cycle  
 Energy consumption per cycle forced air convection (2010/30/EC) : 0.69 kWh/cycle  
 Energy efficiency index (2010/30/EC) : 81.2 %  
 Connection Rating : 3600 W  
 Fuse protection : 16 A  
 Voltage : 220-240 V  
 Frequency : 50; 60 Hz  
 Plug type : no plug (electrical connection by electrician)  
 Included accessories : 2 x combination grid, 1 x universal pan

**Included accessories**

2 x combination grid  
 1 x universal pan

**Optional accessories**

HEZ530000 : Half tray  
 HEZ531010 : Baking tray, non-stick ceramic coated  
 HEZ631070 : Baking tray, anthracite enamelled  
 HEZ634000 : Baking and roasting grid (standard)  
 HEZ636000 : Glass pan  
 HEZ638170 : 1 level telescopic rail, full ext, pyro  
 HEZ638370 : 3 level telescopic rails, full ext,pyro  
 HEZ915003 : Glass roasting dish, 5,4 L



## Series 8, Built-in oven with added steam function, 60 x 60 cm, Stainless steel HRG675BS1B

### Design

- 2.5" TFT colour and text display with direct select buttons
- Bosch control wheel
- Straight bar handle
- Drop down door, SoftClose, SoftOpen
- 5 shelf positions

### Features

- Electronic door lock  
Control panel lock Automatic safety switch off Residual heat indicator Start button Door contact switch
- Digital temperature display with proposal  
Actual temperature display Heating-up indicator AutoPilot
- Automatic programmes
- Electronic clock timer
- Interior halogen light, Light on/off when oven door opened/closed
- Integral cooling fan
- Water tank empty indicator

### Cleaning

- Pyrolytic self-cleaning function
- Full glass inner door

### Programmes/functions

- AutoPilot, 20
- Additional heating methods with steam: reheating with steam, Dough proving
- Fast pre-heating function

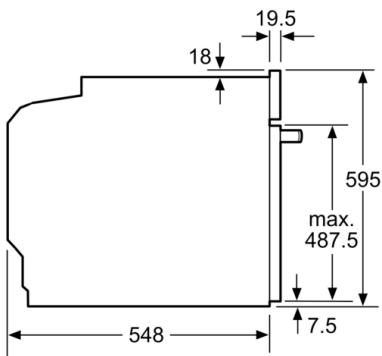
### Accessories

- Available as an additional accessory, pyrolytic proof
- 2 x combination grid, 1 x universal pan

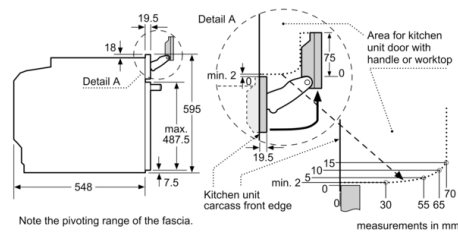
### Performance/technical information

- Energy efficiency rating (acc. EU Nr. 65/2014): A+
- Energy consumption per cycle in conventional mode: 0.87 kWh
- Energy consumption per cycle in fan-forced convection mode: 0.69 kWh
- Number of cavities: Main cavity Heat source: electrical Cavity volume: 71 litre capacity
- Temperature range 30 °C - 275 °C
- 120 cm Cable length
- 1 l Water tank
- Location of water tank: Outside cavity
- Total connected load electric: 3.6 KW
- Nominal voltage: 220 - 240 V
- Appliance dimension (hxwxh): 595 mm x 594 mm x 548 mm
- Niche dimension (hxwxh): 585 mm - 595 mm x 560 mm - 568 mm x 550 mm
- Please refer to the dimensions provided in the installation manual

**Series 8, Built-in oven with added steam function, 60 x 60 cm, Stainless steel  
HRG675BS1B**

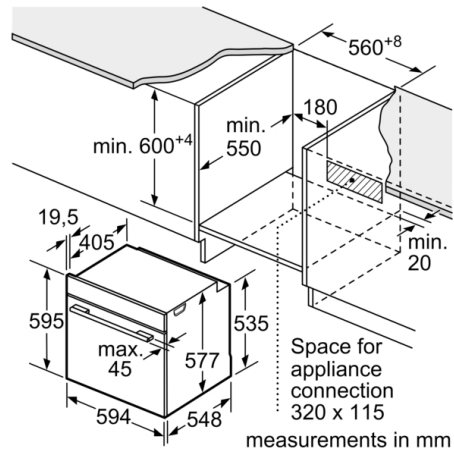


measurements in mm



If the appliance will be installed underneath a hob, the following worktop thicknesses (including substructure if necessary) must be taken into account.

Hob type	min. worktop thickness	
	fitted	flush
Induction hob	37 mm	38 mm
Full surface Induction hob	47 mm	48 mm
Gas hob	30 mm	38 mm
Electric hob	27 mm	30 mm



measurements in mm