

**IQ700, Built-in oven with added steam function, 60 x 60 cm, Stainless steel HR676GBS6B**



A+



2 x combination grid, 1 x universal pan

HZ327000 Baking stone, HZ531010 Baking tray, non-stick ceramic coated, HZ532010 Universal pan, non-stick ceramic coated, HZ617000 Pizza pan, enamelled, HZ625071 Grill tray, enamelled, HZ631070 Baking tray, enamelled, HZ632070 Multipurpose pan, enamelled, HZ633001 Lid for professional pan, enamelled, HZ633070 Professional pan, enamelled, HZ634000 Baking and roasting grid (standard), HZ636000 Glass pan, HZ638170 1 level telescopic rail, full ext, pyro, HZ638270 2 level telescopic rails, full ext, pyro, HZ638370 3 level telescopic rails, full ext, pyro, HZ664000 Baking and roasting grid (steam), HZ66X650 Cover Strip, HZ915003 Glass roasting dish, 5,4 L

Shorten your cooking time thanks to fast preheat, coolStart and activeClean. And remote control your oven from anywhere with Home Connect.

- ✓ fastPreheat – Heat the oven quickly. coolStart – Eliminate preheating for frozen foods.
- ✓ activeClean® – The automatic, self-cleaning oven system.
- ✓ pulseSteam: for crispy crusts and juicy roasts.
- ✓ Home Connect – Experience the intelligent kitchen via app.
- ✓ cookControl Plus – Build success into your baking.

Built-in / Free-standing: ..... Built-in

Integrated Cleaning system: ..... Pyrolytic+Hydrolytic  
 Min. required niche size for installation (HxWxD): ..... 585-595 x 560-568 x 550 mm

Dimensions: ..... 595x594x548 mm

Dimensions of the packed product (HxWxD): ... 675 x 660 x 690 mm

Control Panel Material: ..... Stainless steel

Door Material: .....Glass

Weight: ..... 41.4 kg

Usable volume (of cavity) - cavity 1: ..... 71 l

Heating Types: .....Regeneration, 4D hot air, Full width grill, Hot Air-Eco, Half width grill, Conventional heat, Conventional heat ECO, Pizza setting, low temperature cooking, coolStart, Bottom heat, Hot air grilling, pre-heating, warming

Oven control: .....electronic

Number of interior lights: .....1

Length electrical supply cord: ..... 120.0 cm

EAN code: .....4242003794876

Number of cavities (2010/30/EC): .....1

Energy efficiency rating: ..... A+

Energy consumption per cycle conventional (2010/30/EC): ..... 0.87 kWh/cycle

Energy consumption per cycle forced air convection (2010/30/EC): 0.69 kWh/cycle

Energy efficiency index (2010/30/EC): ..... 81.2 %

Connection Rating: ..... 3600 W

Fuse protection: ..... 16 A

Nominal power: ..... 220-240 V

Frequency: ..... 60; 50 Hz

Plug type: .....no plug (electrical connection by electrician)

Included accessories: ..... 2 x combination grid, 1 x universal pan



## IQ700, Built-in oven with added steam function, 60 x 60 cm, Stainless steel HR676GBS6B

### Design

- 3.7" TFT touchDisplay
- Cavity inner surface: enamel anthracite
- Drop down oven door, softClose, softOpen
- Stainless steel control dial
- We recommend you to choose complementary products within IQ700, in order to assure an optimal design combination of your Built-In appliances.

### Features

- Automatic temperature proposal
- Actual temperature display Heating-up indicator
- Electronic door lock
- Control panel lock Automatic safety switch off Residual heat indicator Start button Door contact switch
- WLAN - Home connect enabled
- cookControl Plus
- Electronic oven clock timer
- LED light, Light on/off when door opened/closed
- Tank empty indicator
- Integral cooling fan
- 5 shelf positions

### Cleaning

- activeClean
- Full glass inner door

### Programmes/functions

- Additional heating methods with steam: reheating with steam, Dough proving
- Additional functions:
- Descaling programme
- Drying function
- Fast pre-heat

### Accessories

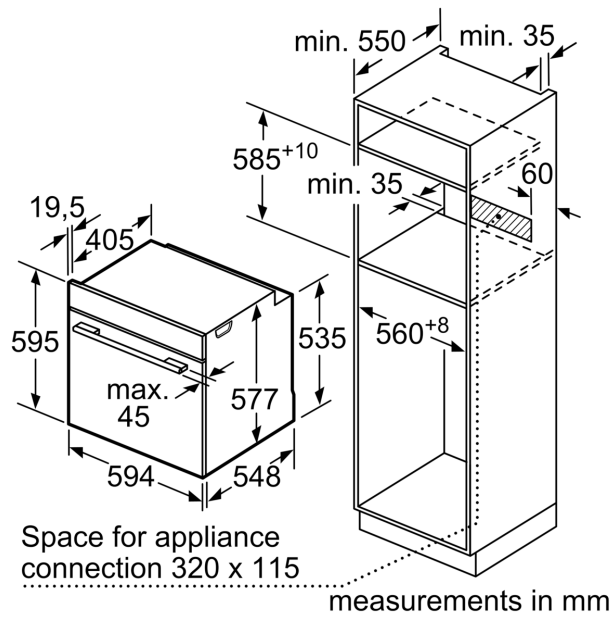
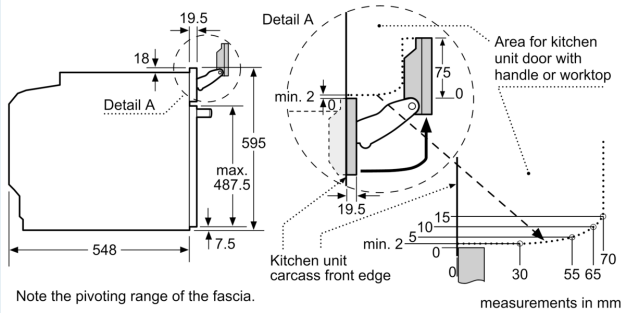
- 2 x combination grid, 1 x universal pan
- Cavity with shelf support rails, pyrolytic proof

### Technical information

- Energy efficiency rating (acc. EU Nr. 65/2014): A+
- Energy consumption per cycle in conventional mode:0.87 kWh
- Energy consumption per cycle in fan-forced convection mode:0.69 kWh
- Number of cavities: Main cavity Heat source: electrical Cavity volume:71 litres
- 1 l Water tank capacity:
- Temperature range 30 °C - 275 °C
- Location of water tank: Outside cavity
- Total connected load electric: 3.6 KW
- 120 cm Cable length

- Nominal voltage: 220 - 240 V
- Appliance dimension (hxwxd): 595 mm x 594 mm x 548 mm
- Niche dimension (hxwxd): 585 mm - 595 mm x 560 mm - 568 mm x 550 mm
- Please refer to the dimensions provided in the installation manual

**IQ700, Built-in oven with added steam function, 60 x 60 cm, Stainless steel HR676GBS6B**



If the appliance will be installed underneath a hob, the following worktop thicknesses (including substructure if necessary) must be taken into account.

| Hob type                   | min. worktop thickness |       |
|----------------------------|------------------------|-------|
|                            | fitted                 | flush |
| Induction hob              | 37 mm                  | 38 mm |
| Full surface Induction hob | 47 mm                  | 48 mm |
| Gas hob                    | 30 mm                  | 38 mm |
| Electric hob               | 27 mm                  | 30 mm |

