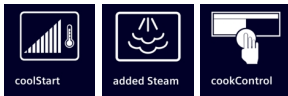




iQ500, Built-in oven with added steam function, 60 x 60 cm, Stainless steel HR578G5S6B



Shorten your cooking time thanks to fast preheat, coolStart and activeClean. And remote control your oven from anywhere with Home Connect.

- ✓ fastPreheat – Heat the oven quickly. coolStart – Eliminate preheating for frozen foods.
- ✓ activeClean® – The automatic, self-cleaning oven system.
- ✓ The addedSteam function: for crispy crusts and juicy roasts.
- ✓ Home Connect – Experience the intelligent kitchen via app.
- ✓ cookControl30: automatic programs ensure best results.

Features

Technical Data

Color / Material Front : Stainless steel
 Built-in / Free-standing : Built-in
 Integrated Cleaning system : Pyrolytic
 Min. required niche size for installation (HxWxD) : 585-595 x 560-568 x 550 mm
 Dimensions : 595 x 594 x 548 mm
 Dimensions of the packed product (HxWxD) : 660 x 690 x 660 mm
 Control Panel Material : Glass
 Door Material : Glass
 Net weight : 39.8 kg
 Usable volume (of cavity) - cavity 1 : 71 l
 Cooking method : Conventional heat, Deep-frozen food special, Full width grill, Hot Air, Hotair gentle, Hot air grilling, Pizza setting
 First cavity material : Other
 Oven control : electronic
 Number of interior lights : 1
 Length electrical supply cord : 120 cm
 EAN code : 4242003856178
 Number of cavities (2010/30/EC) : 1
 Energy efficiency rating : A
 Energy consumption per cycle conventional (2010/30/EC) : 0.99 kWh/cycle
 Energy consumption per cycle forced air convection (2010/30/EC) : 0.81 kWh/cycle
 Energy efficiency index (2010/30/EC) : 95.3 %
 Connection Rating : 3600 W
 Fuse protection : 16 A
 Voltage : 220-240 V
 Frequency : 50; 60 Hz
 Plug type : no plug (electrical connection by electrician)
 Included accessories : 2 x combination grid, 1 x universal pan

Included accessories

2 x combination grid
 1 x universal pan

Optional accessories

HZ915003	Glass roasting dish, 5,4 L
HZ638300	3 level telescopic rails, full ext
HZ634000	Baking and roasting grid (standard)
HZ538000	varioClip rail
HZ531010	Baking tray, non-stick ceramic coated
HZ531000	Baking tray, grey enamelled





iQ500, Built-in oven with added steam function, 60 x 60 cm, Stainless steel HR578G5S6B

Features

Design

- LCD Display (White)
- lightControl: intuitive operation thanks to the illuminated dials
- Cavity inner surface: enamel grey
- Drop down oven door, softClose, softOpen
-
- Stainless steel control dial, lightControl: intuitive operation thanks to the illuminated dials, round
- Bar handle
- We recommend you to choose complementary products within iQ500, in order to assure an optimal design combination of your Built-In appliances.

Features

- Automatic temperature proposal
- Heating-up indicator cookControl Automatic start meat probe
- Electronic door lock
- Control panel lock Automatic safety switch off Residual heat indicator Door contact switch
-
- WLAN - Home connect enabled
- Automatic programmes
- cookControl, 30
- roastingSensor
-
- Electronic oven clock timer
- Integral cooling fan
- Interior halogen light, Light on/off when door opened/closed
- 5 shelf positions

Cleaning

- activeClean
- Full glass inner door

Programmes/functions

- Oven with 8 heating methods: 3D hot air cooking, conventional, hot air grilling, full width grill, Pizza Setting, coolStart, Hotair gentle, reheating with steam
- Heating modes in combination with steam function: Hot air, Hot air grilling, Conventional heat
- Additional functions:
- Descaling programme
-
- Fast pre-heat

Accessories

- 2 x combination grid, 1 x universal pan
- 1 varioClip rail, Stop function

Technical information

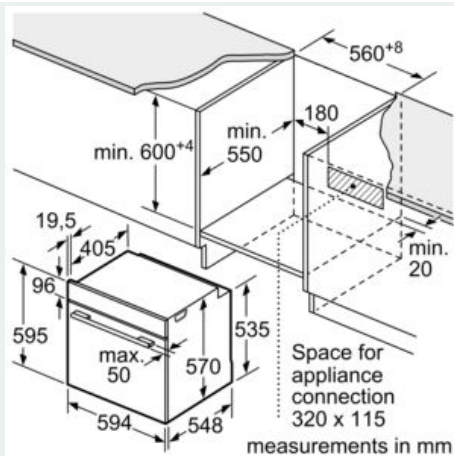
- Energy efficiency rating (acc. EU Nr. 65/2014): A
- Energy consumption per cycle in conventional mode: 0.99 kWh
- Energy consumption per cycle in fan-forced convection mode: 0.81 kWh
- Number of cavities: Main cavity Heat source: electrical Cavity volume: 71 litres
- Water tank capacity: with a volume of 220ml
- Temperature range 30 °C - 275 °C
- Location of water tank: Outside cavity

- Total connected load electric: 3.6 KW
- 120 cm Cable length
- Nominal voltage: 220 - 240 V
- Appliance dimension (hxwx): 595 mm x 594 mm x 548 mm
- Niche dimension (hxwx): 585 mm - 595 mm x 560 mm - 568 mm x 550 mm
- Please refer to the dimensions provided in the installation manual

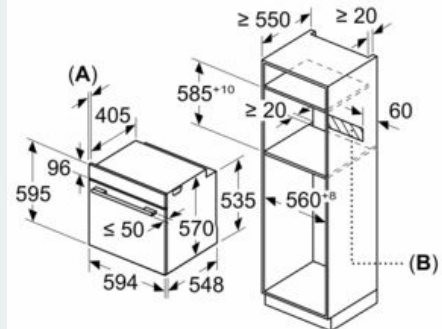


**iQ500, Built-in oven with added steam function, 60 x 60 cm, Stainless steel
HR578G5S6B**

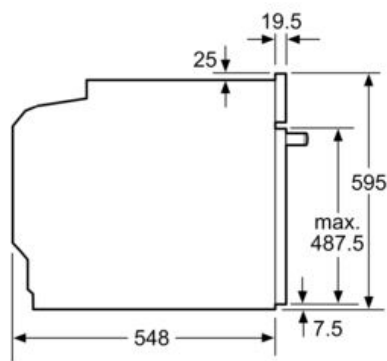
Dimensioned drawings



Measurements in mm

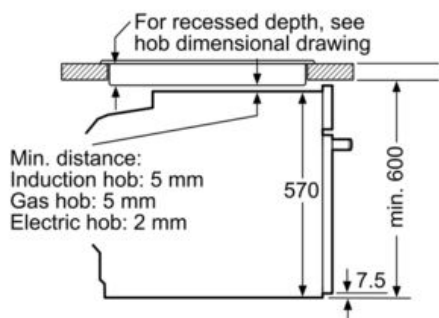


A: 19.5 mm
B: Space for appliance connection 320 x 115 mm



measurements in mm

Installation with a hob.



measurements in mm