

## IQ700, Built-in oven with steam- and microwave function, 60 x 60 cm, Black HN978GQB1B



Shorten your cooking time thanks to varioSpeed, fast preheat and activeClean. And remote your oven from anywhere with Home Connect.

- ✓ Individual Browning with camera – for consistently perfect browning results.
- ✓ TFT-Touchdisplay Pro – Large colour touch display for comfortable operation.
- ✓ cookControl Pro – Excellent results, whatever the recipe or circumstances.
- ✓ activeClean® – The automatic, self-cleaning oven system.
- ✓ Oven Assistant with Voice Control – Intuitively set the right programme.

### Features

#### Technical Data

Additional functions: ..... Microwave combination oven  
 Type of control: ..... Electronic  
 Dimensions: ..... 595 x 594 x 548 mm  
 Cavity dimensions: ..... 357.0 x 480 x 392.0 mm  
 Length electrical supply cord: ..... 120.0 cm  
 Weight: ..... 49.5 kg  
 Gross weight: ..... 52.7 kg  
 EAN code: ..... 4242003902400  
 Maximum micro-wave power: ..... 800 W  
 Connection Rating: ..... 3600 W  
 Fuse protection: ..... 16 A  
 Nominal power: ..... 220-240 V  
 Frequency: ..... 50; 60 Hz  
 Plug type: ..... no plug (electrical connection by electrician)  
 Included accessories: ..... 2 x combination grid, 1 x universal pan



#### Included accessories

2 x combination grid, 1 x universal pan

#### Optional accessories

HZ327000 Baking stone, HZ531010 Baking tray, non-stick ceramic coated, HZ532010 Universal pan, non-stick ceramic coated, HZ617000 Pizza pan, enamelled, HZ629070 Air Fry & Grill tray, HZ631070 Baking tray, enamelled, HZ632070 Multipurpose pan, enamelled, HZ633001 Lid for professional pan, enamelled, HZ633070 Professional pan, enamelled, HZ633073 Professional pan, enamelled, HZ634000 Baking and roasting grid (standard), HZ635000 AirFry & Grill Set, HZ636000 Glass pan, HZ664000 Baking and roasting grid (steam), HZ66X650 Cover Strip, HZ6BMA00 Assembly kit for vertical installation, HZ915003 Glass roasting dish, 5,4 L

## IQ700, Built-in oven with steam- and microwave function, 60 x 60 cm, Black HN978GQB1B

### Features

#### Features

- Oven with microwave with 27 heating methods: 4D hot air, conventional, hot air grilling, full width grill, half width grill, Pizza Setting, coolStart, bottom heat, intensive conventional heat, low temperature cooking, keep warm, dehydrate, plate warming, Hotair gentle, Conventional heat gentle, reheating with steam, Dough proving, Hot air grilling, warming, 4D Hot air, Conventional heat, 4D Hot air, Conventional heat, Full width grill, Half width grill, Hot air grilling
- Max. Power: 800 W; 5 Microwave power settings (90 W, 180 W, 360 W, 600 W, boost) with Inverter (MW)
- Intelligent microwave inverter technology: For optimised results maximum output power will be regulated to 600 W when used in longer operation for gentler cooking.
- Temperature range 30 °C - 275 °C
- Cavity volume: 67 litres

#### Level independent telescopic rails

- 5 shelf positions
- 1 level telescopic shelf, pyrolytic proof

#### Design

- studioLine Black Steel Design
- Touch control
- studioLine Glass handle
- Cavity inner surface: enamel anthracite

#### Cleaning

- activeClean
- hydrolyse program

#### Programmes/functions

- Oven Assistant with Voice Control
- SE63
- Electronic oven clock timer
- Automatic temperature proposal
- Actual temperature display Heating-up indicator meat probe
- Drop down oven door, softClose, softOpen
- cookControl Plus
- Fast pre-heat
- coolStart
- steam boost - add for 3min intensive steam with a touch of a button.
- There are different steam intensities selectable: steam level high, steam level middle, steam level low
- LED light, Light on/off when door opened/closed
- top, left and right (mid oven)
- Tank empty indicator
- Location of water tank: Outside cavity
- Integral cooling fan
- WLAN - Home connect enabled

#### Accessories

- 2 x combination grid, 1 x universal pan

#### Features

- Maximum door temperature 30 °C
- Electronic door lock
- Control panel lock Automatic safety switch off Residual heat indicator Start button Door contact switch

#### Technical information

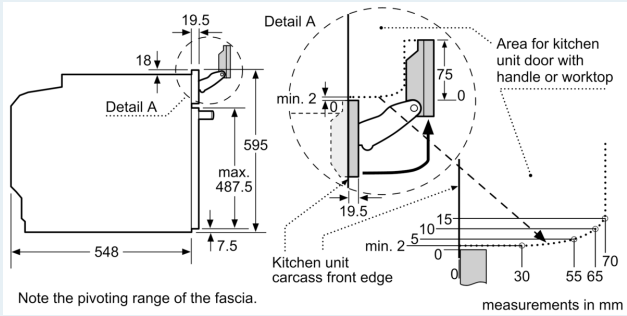
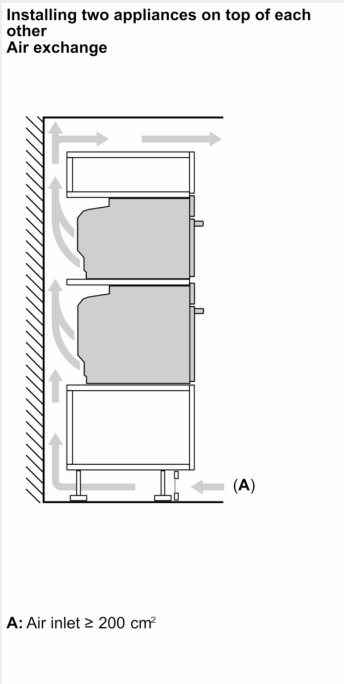
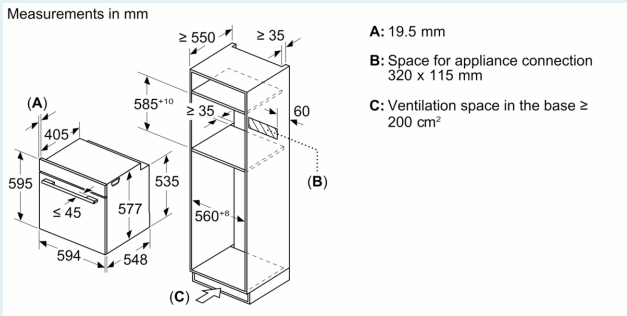
- 120 cm Cable length
- Nominal voltage: 220 - 240 V
- Total connected load electric: 3.6 KW

#### Performance/technical information

- Appliance dimension (hxwx): 595 mm x 594 mm x 548 mm
- Niche dimension (hxwx): 585 mm - 595 mm x 560 mm - 568 mm x 550 mm
- Please refer to the dimensions provided in the installation manual

**IQ700, Built-in oven with steam- and microwave function, 60 x 60 cm, Black  
HN978GQB1B**

**Dimensioned drawings**



If the appliance will be installed underneath a hob, the following worktop thicknesses (including substructure if necessary) must be taken into account.

Hob type	min. worktop thickness	
	fitted	flush
Induction hob	37 mm	38 mm
Full surface Induction hob	47 mm	48 mm
Gas hob	30 mm	38 mm
Electric hob	27 mm	30 mm

Dimensioned drawings

